

LOAD CELL CHARACTERISTICS

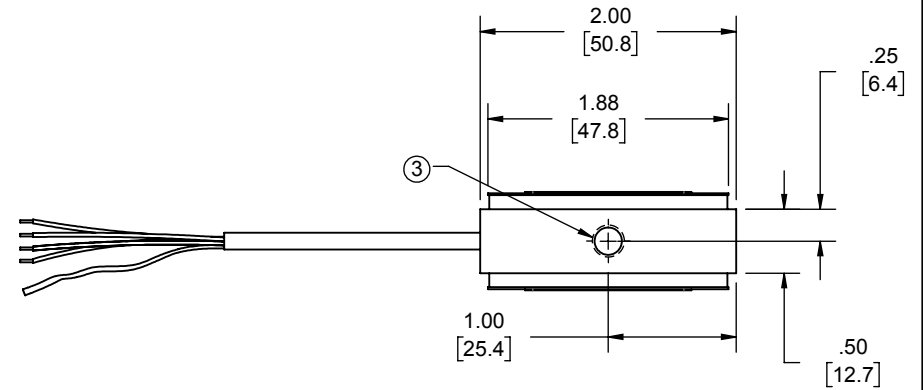
#	CAPACITY	US CAPACITIES		SI CAPACITIES	
		25, 50	125	100N	250N, 500N
1	OVERALL WIDTH	0.80 [20.3]	0.68 [17.2]	0.80 [20.3]	0.68 [17.2]
2	COVER HEIGHT	0.80 [20.3]	0.70 [17.8]	0.80 [20.3]	0.70 [17.8]
3	MOUNTING THREAD, BOTH ENDS	.25-28 UNF-2B		M6 X 1-6H	

Interface Inc. claims proprietary rights in the information disclosed herein. This drawing is furnished in confidence on the express understanding that neither it nor any reproduction thereof will be disclosed to others or used for the purpose of manufacture or procurement of the article or part shown hereon without written permission of Interface Inc. The drawing shall remain the property of Interface Inc. and shall be returned upon request by Interface Inc.

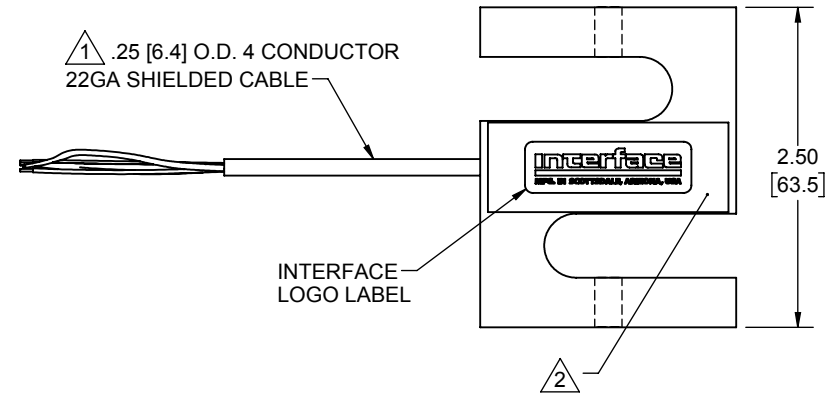
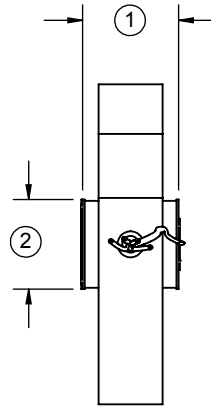
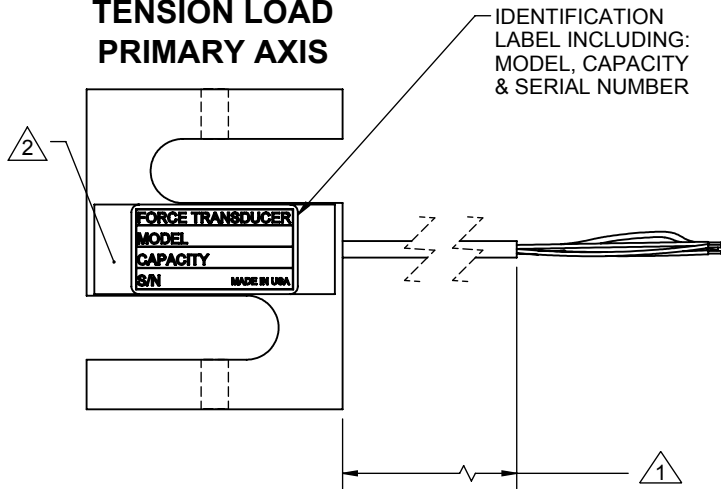
81809

REVISIONS

REV.	DESCRIPTION	DATE	APPROVED
A	INITIAL RELEASE	11/08/2016	DLC



TENSION LOAD  
PRIMARY AXIS



- 5. FLEXURE MATERIAL: ALUMINUM.
- 4. OUTPUT: 1.5 mV/V.
- 3. FATIGUE RATED LOAD CELL.

CABLE CONNECTIONS	
COLOR	FUNCTION
RED	+ EXCITATION
GREEN	+ OUTPUT
WHITE	- OUTPUT
BLACK	- EXCITATION
SHIELD	N/C
TENSION UPSCALE	

- 2. COVER COLOR: BLUE.
- 1. STANDARD CABLE LENGTH IS 10FT [3M]  
NON-STANDARD CABLE PER OPTION CODE.

UNLESS OTHERWISE SPECIFIED  
DIMENSIONS ARE IN INCHES [mm]  
TOLERANCES ARE:  
ANGLES ± 0° 30'  
.XX ± .01 [0.25]  
.XXX ± .005 [0.13]

CREATOR	DATE
DESIGNED: RMP	9/30/16
DETAILED: RMP	9/30/16
WEIGHT: (APPROX)	0.3

**interface**  
ADVANCED FORCE MEASUREMENT  
7401 E. BUTHERUS DR. SCOTTSDALE, AZ USA 85260

TITLE:  
**OUTLINE MODELS:  
SSMF 25-125, 100N-500N**

SIZE: A	DWG. NO: 81809	REV: A
SCALE: 2:3	SHEET 1 OF 1	