

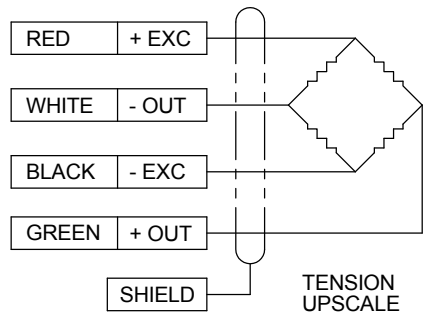
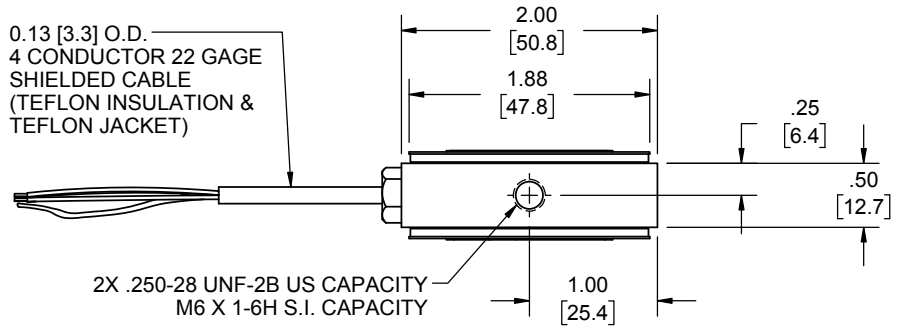
LOAD CELL CHARACTERISTICS

US & S.I. CAPACITIES

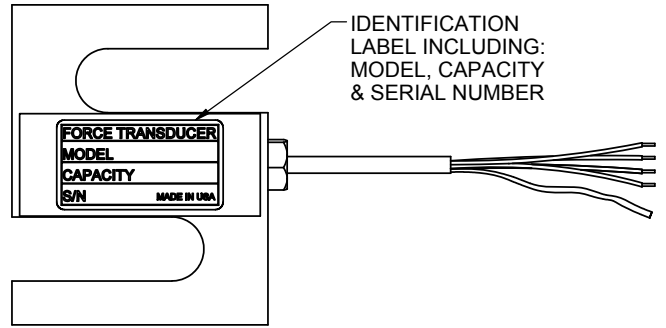
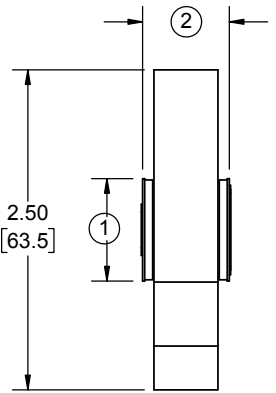
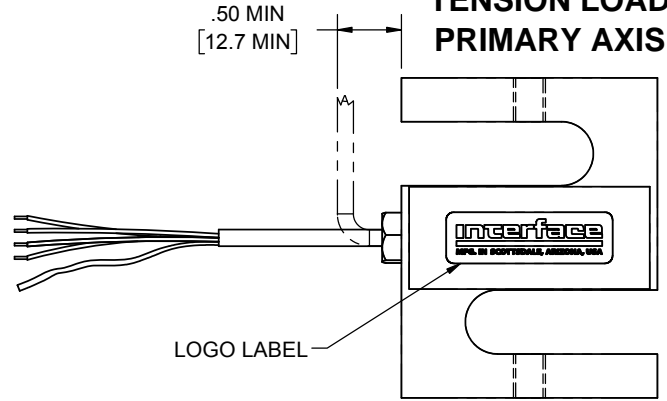
#	CAPACITY	25, 50 (lbf) 100N & 200N	100, 125, 150 (lbf) 250N & 500N	250 (lbf) 1000N
1	COVER HEIGHT	0.80 [20.3]	0.70 [17.8]	0.80 [20.3]
2	OVERALL WIDTH	0.80 [20.3]	0.68 [17.2]	

Interface Inc. claims proprietary rights in the information disclosed herein. This drawing is furnished in confidence on the express understanding that neither it nor any reproduction thereof will be disclosed to others or used for the purpose of manufacture or procurement of the article or part shown herein without written permission of Interface Inc. The drawing shall remain the property of Interface Inc. and shall be returned upon request by Interface Inc.

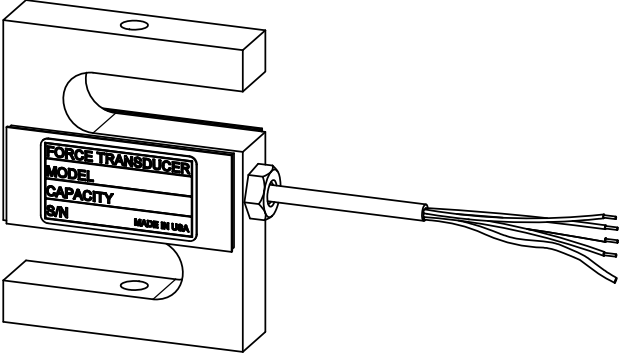
REVISIONS			
REV.	DESCRIPTION	DATE	APPROVED
A	INITIAL RELEASE	09/09/16	DLC



**TENSION LOAD
PRIMARY AXIS**



1. STANDARD CABLE LENGTH IS 15 FT [4.6M].



UNLESS OTHERWISE SPECIFIED
DIMENSIONS ARE IN INCHES [mm]
TOLERANCES ARE:
ANGLES ± 0° 30'
.XX ± .01 [0.25]
.XXX ± .005 [0.13]

CREATOR	DATE
DESIGNED: RMP	08/25/16
DETAILED: BRET B.	09/01/16
WEIGHT: (APPROX) 0.18 (lbs)	

interface
ADVANCED FORCE MEASUREMENT
7401 E. BUTHERUS DR. SCOTTSDALE, AZ USA 85260

TITLE:
OUTLINE OPTION FDH

SSM

SIZE: A	DWG. NO: 81789	REV: A
SCALE: 2:3	SHEET 1 OF 1	