

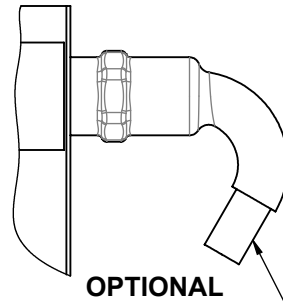
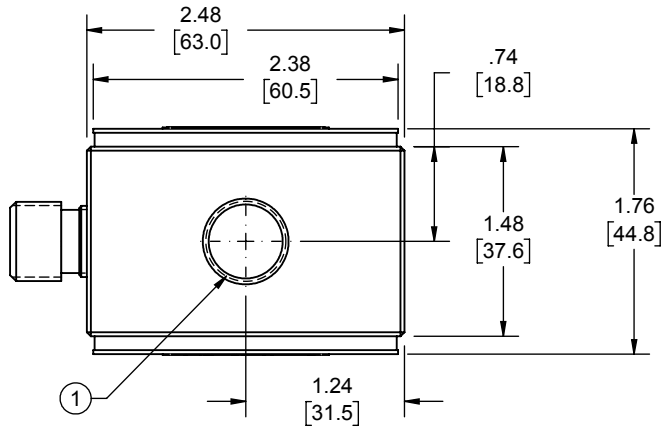
80033

LOAD CELL CHARACTERISTICS

#	CAPACITY	US CAPACITIES	SI CAPACITIES
		2.5K, 5K (lbf)	15, 20 (kN)
1	FLEXURE THREAD, TYP	.625-18 UNF-2B	M16 X 2-6H

Interface Inc. claims proprietary rights in the information disclosed herein. This drawing is furnished in confidence on the express understanding that neither it nor any reproduction thereof will be disclosed to others or used for the purpose of manufacture or procurement of the article or part shown hereon without written permission of Interface Inc. The drawing shall remain the property of Interface Inc. and shall be returned upon request by Interface Inc.

REVISIONS			
REV.	DESCRIPTION	DATE	APPROVED
-	INITIAL RELEASE	01/02/96	
A	REDRAWN, UPDATED TO CURRENT STANDARDS	09/28/2016	DLC
B	SI CAPACITY 15, 20 (kN) WAS 10, 20 (kN)	2/23/2017	DLC
C	REPLACED COVER WITH -7 VERSION (2.38 WAS 1.88; .84 WAS .80; 1.76 WAS 1.73)	3/20/2017	BB



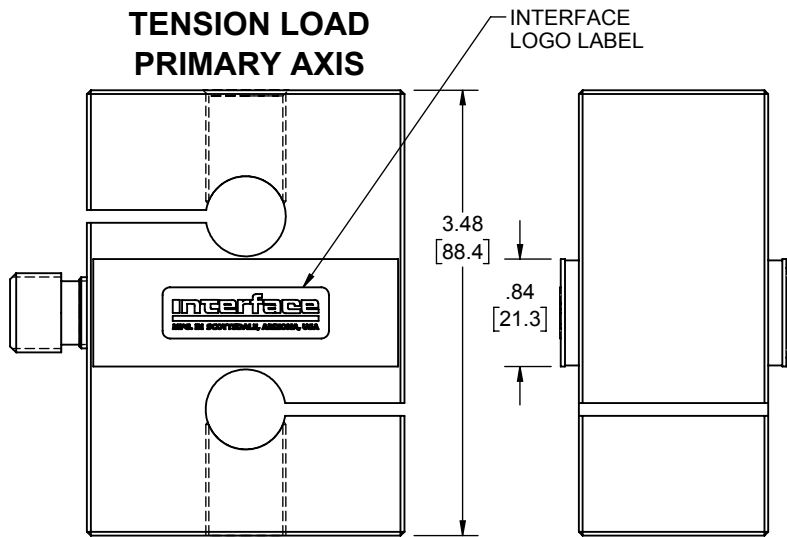
CONNECTOR PINOUT	
PIN	FUNCTION
A	+ EXCITATION
B	+ OUTPUT
C	- OUTPUT
D	- EXCITATION
E	N/C
F	N/C

CABLE CONNECTIONS	
COLOR	FUNCTION
RED	+ EXCITATION
GREEN	+ OUTPUT
WHITE	- OUTPUT
BLACK	- EXCITATION
SHIELD	N/C

.25 [6.4] O.D. 4 CONDUCTOR ¹/₂ 22 GAGE SHIELDED CABLE

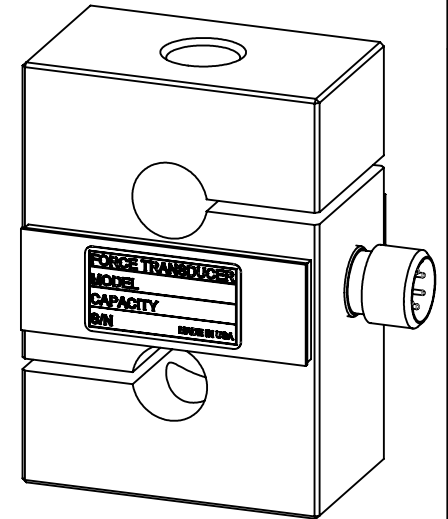
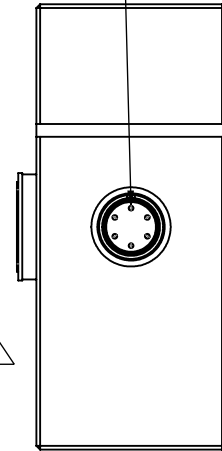
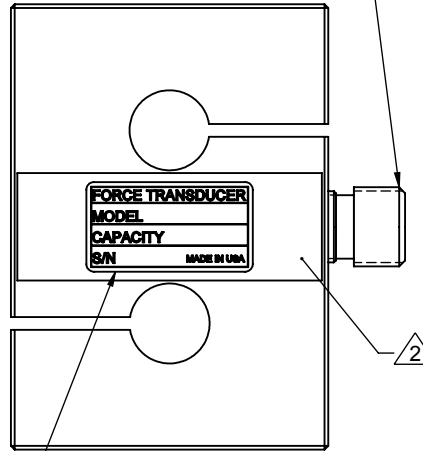
TENSION UPSCALE

TENSION LOAD PRIMARY AXIS



CONNECTOR: PC04E-10-6P

PIN A



IDENTIFICATION LABEL INCLUDING: MODEL, CAPACITY & SERIAL NUMBER

²/₂ COVER COLOR: BLUE.

¹/₁ STANDARD CABLE LENGTH IS 10 FT [3M] NON-STANDARD CABLE LENGTH PER OPTION CODE.

UNLESS OTHERWISE SPECIFIED DIMENSIONS ARE IN INCHES [mm] TOLERANCES ARE: ANGLES ± 0° 30' .XX ± .01 [0.25] .XXX ± .005 [0.13]

interface
ADVANCED FORCE MEASUREMENT
7401 E. BUTHERUS DR. SCOTTSDALE, AZ USA 85260

TITLE: OUTLINE MODEL: SSM-5000 & 20KN

CREATOR:	DATE:
DESIGNED:	
DETAILED: PER	01/02/1996
WEIGHT: (APPROX)	

SIZE: A	DWG. NO: 80033	REV: C
SCALE: 2:3	SHEET 1 OF 1	