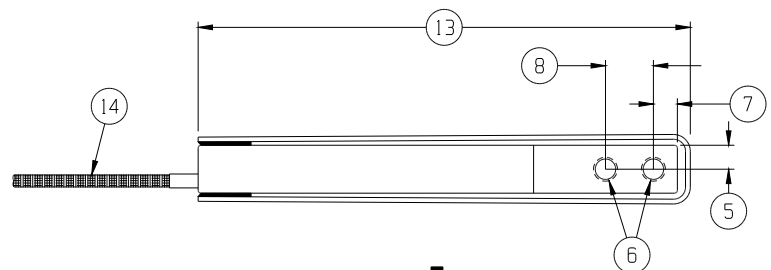
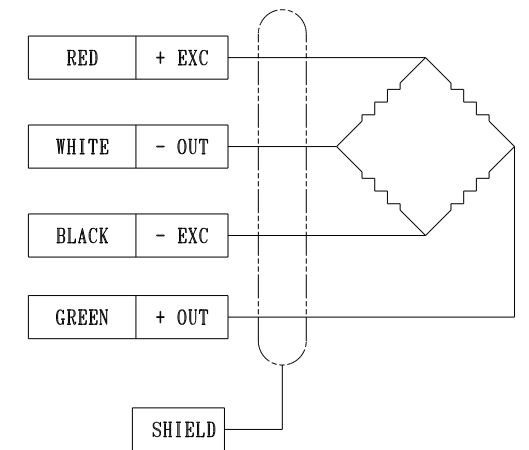
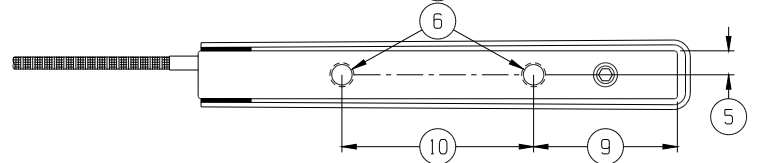
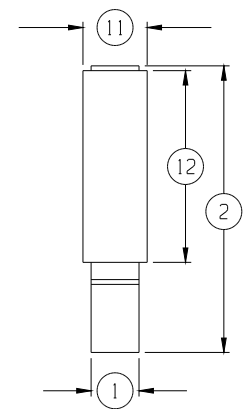
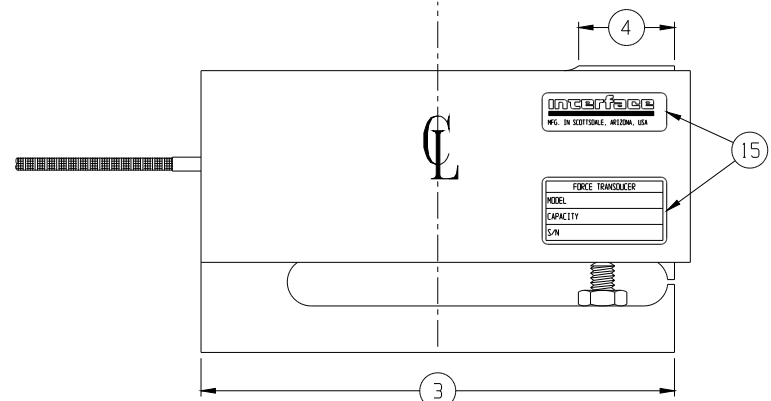


REVISIONS			
REV	DESCRIPTION	DATE	APPROVED



COMPRESSION LOAD
PRIMARY AXIS



COMPRESSION UPSCALE

LOAD CELL CHARACTERISTICS		U.S. CAPACITIES
	CAPACITY	7.5 (lbf)
1	FLEXURE WIDTH	0.50 (12.7)
2	FLEXURE HEIGHT	2.99 (75.9)
3	FLEXURE LENGTH	5.00 (127.0)
4	LOAD MOUNTING SURFACE LENGTH	1.00 (25.4)
5	MOUNTING HOLE OFFSET FROM EDGE	0.25 (6.4)
6	MOUNTING THREADS TYPICAL	.250-28 UNF-3A X 0.56 DEEP
7	MOUNTING HOLES TO FLEXURE EDGE	0.25 (6.4)
8	MOUNTING HOLE SPACING	0.50 (12.7)
9	MOUNTING HOLE OFFSET FROM EDGE	1.50 (38.1)
10	MOUNTING HOLE SPACING	2.00 (50.8)
11	COVER WIDTH	0.75 (19.0)
12	COVER HEIGHT	2.00 (50.8)
13	COVER LENGTH	5.13 (130.3)
14	CABLE TYPE [3]	.13 (3.3) O.D. 4 CONDUCTOR 28 GAGE SHIELDED CABLE
15	IDENTIFICATION LABEL INCLUDING: MODEL, CAPACITY & SERIAL NUMBER	

- [3] STANDARD CABLE LENGTH IS 5 FT (1.5 M)
NON-STANDARD CABLE LENGTH PER OPTION CODE
- 2. DIMENSIONAL TOLERANCE: +/- 0.01 (+/- 0.3)
- 1. DIMENSIONS IN INCHES & (MM)

Interface, Inc.
7401 E. BUTHERUS DR. SCOTTSDALE, ARIZONA 85260

TITLE: OUTLINE	DWG NO.: 80035
MODEL: SPI-7.5	
SIZE: C	DRAWN BY: PER
DATE: 12-20-96	REV:
SCALE: 1:1	APPROVED BY:
SHEET 1 OF 1	

Interface Inc. claims propriety rights in the information disclosed herein. This drawing is furnished in confidence on the express understanding that neither it nor any reproduction thereof will be disclosed to others or used for the purpose of manufacture or procurement of the article or part shown hereon without written permission of Interface Inc. The drawing shall remain Interface's property and shall be returned on Interface's request.