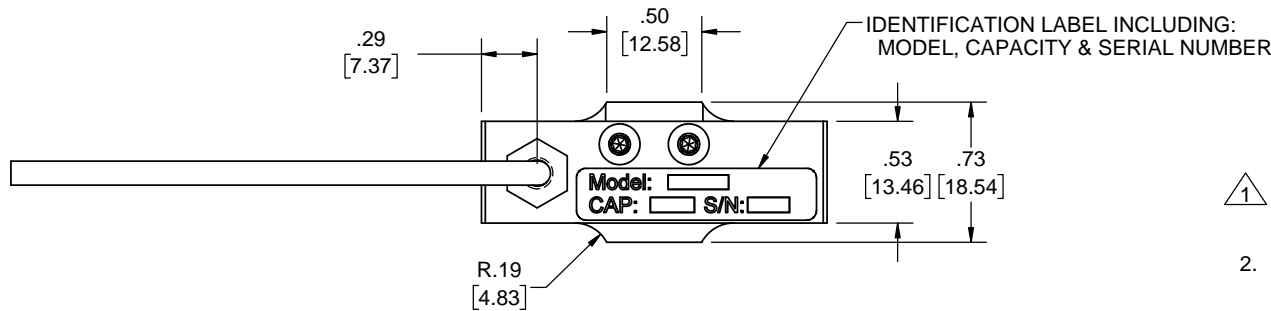
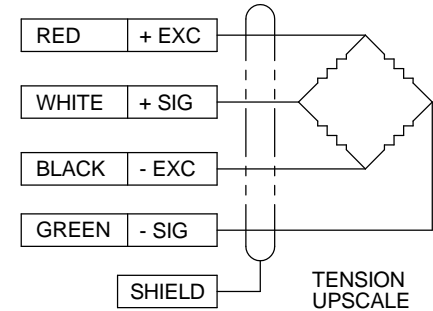
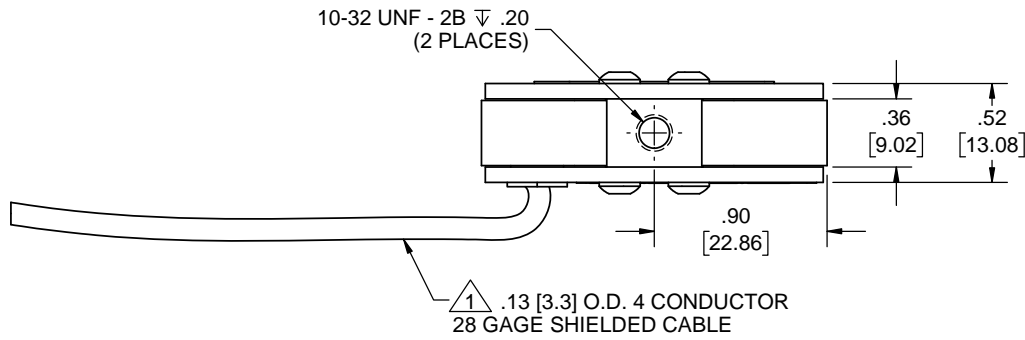
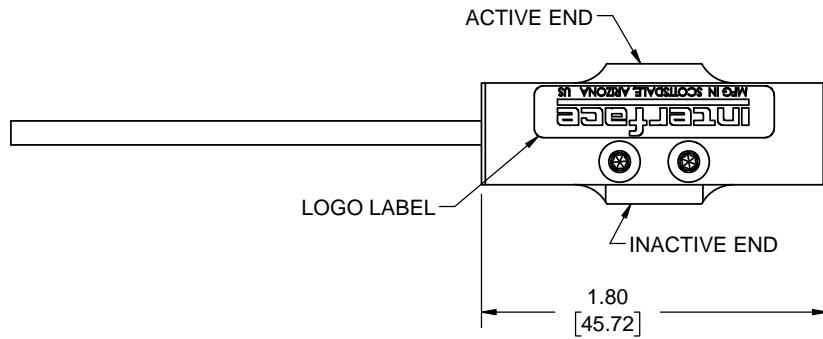


LOAD CELL CHARACTERISTICS	
CAPACITY	5, 10 (lbf)

Interface Inc. claims proprietary rights in the information disclosed herein. This drawing is furnished in confidence on the express understanding that neither it nor any reproduction thereof will be disclosed to others or used for the purpose of manufacture or procurement of the article or part shown herein without written permission of Interface Inc. The drawing shall remain the property of Interface Inc. and shall be returned upon request by Interface Inc.

80221

REVISIONS			
REV.	DESCRIPTION	DATE	APPROVED
A	INITIAL RELEASE	03/30/98	
B	REDRAWN, UPDATED TO CURRENT STDS.	09/12/16	DLC



- 1. STANDARD CABLE LENGTH IS 5 FT [1.5M] NON-STANDARD CALBE LENGTH PER OPTION CODE.
- 2. FLEXURE MATERIAL: ANODIZED ALUMINUM

REMOVE BURRS AND SHARP EDGES .02 MAX SURFACE FINISH 32 MICROINCHES		<b>interface</b> ADVANCED FORCE MEASUREMENT 7401 E. BUTHERUS DR. SCOTTSDALE, AZ USA 85260	
CREATOR	DATE	TITLE: <b>OUTLINE MODEL: SML-5, -10</b>	
DESIGNED:		SIZE: A	DWG. NO: 80221
DETAILED: JEP	03-30-98	SCALE: 1:1	SHEET 1 OF 1
CAM DATA:		REV: B	