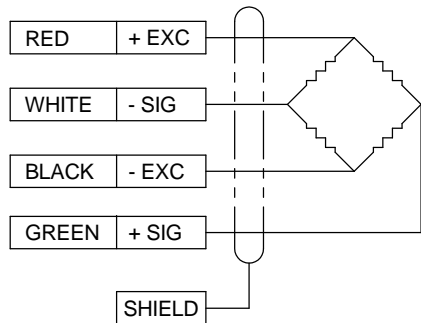


LOAD CELL CHARACTERISTICS			
#	CAPACITY	US CAPACITIES	SI CAPACITIES
		2000 (lbf)	9000N
1	THREADED HOLE	.500-20 UNF-2B ∇ 0.49 MIN	M12 X 1.75-6H ∇ 12.0 MIN
2	FLEXURE MATERIAL	STAINLESS STEEL	

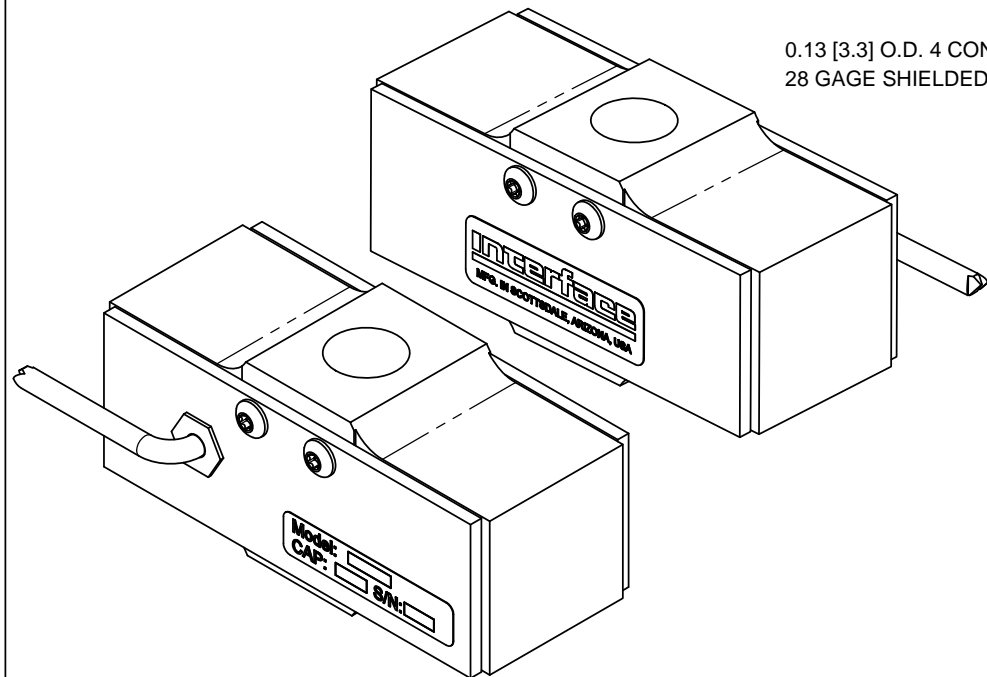
Interface Inc. claims proprietary rights in the information disclosed herein. This drawing is furnished in confidence on the express understanding that neither it nor any reproduction thereof will be disclosed to others or used for the purpose of manufacture or procurement of the article or part shown herein without written permission of Interface Inc. The drawing shall remain the property of Interface Inc. and shall be returned upon request by Interface Inc.

81147			
REVISIONS			
REV.	DESCRIPTION	DATE	APPROVED
A	INITIAL RELEASE	3/20/12	
B	ADDED METRIC CAPACITY	10/3/12	Me
C	UPDATED TO CURRENT STANDARDS.	08/31/16	DLC

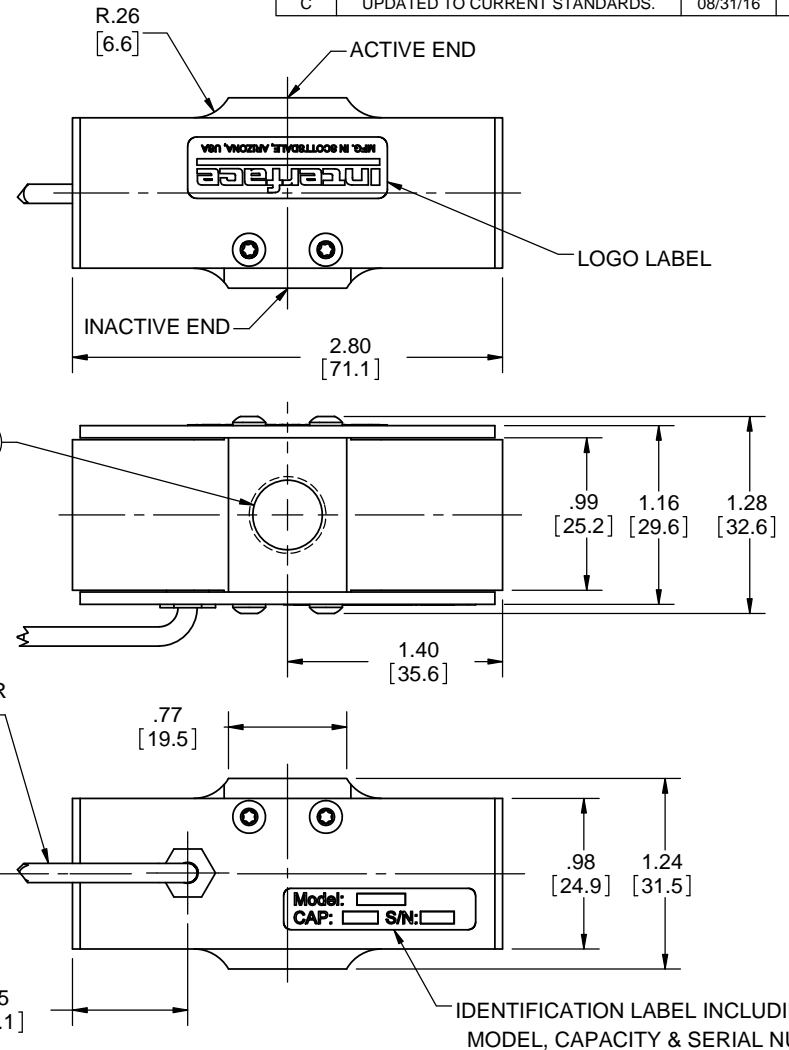


TENSION UPSCALE

1 STANDARD CABLE LENGTH IS 5 FT (1.5 m)
NON-STANDARD CABLE LENGTH PER OPTION CODE.



0.13 [3.3] O.D. 4 CONDUCTOR
28 GAGE SHIELDED CABLE



UNLESS OTHERWISE SPECIFIED DIMENSIONS ARE IN INCHES TOLERANCES ARE:		REMOVE BURRS AND SHARP EDGES .02 MAX SURFACE FINISH 63 MICROINCHES		 ADVANCED FORCE MEASUREMENT 7401 E. BUTHERUS DR. SCOTTSDALE, AZ USA 85260 TITLE: OUTLINE, SML-2000, SML-9000N	
ANGLES	$\pm 0^{\circ}30'$	CREATOR	DATE		
.XX	$\pm .010$	DESIGNED:	03/09/12	SIZE: DWG. NO: 81147 SCALE: 1:1.25 SHEET 1 OF 1	
.XXX	$\pm .005$	AL	03/09/12		
STD. RADII	.015 - .035	CAM DATA:		REV: C	
ϕ RUNOUT	.002				
MATERIAL:	WEIGHT: 0.63 (lbs)				
FINISH:	OUTPUT:				