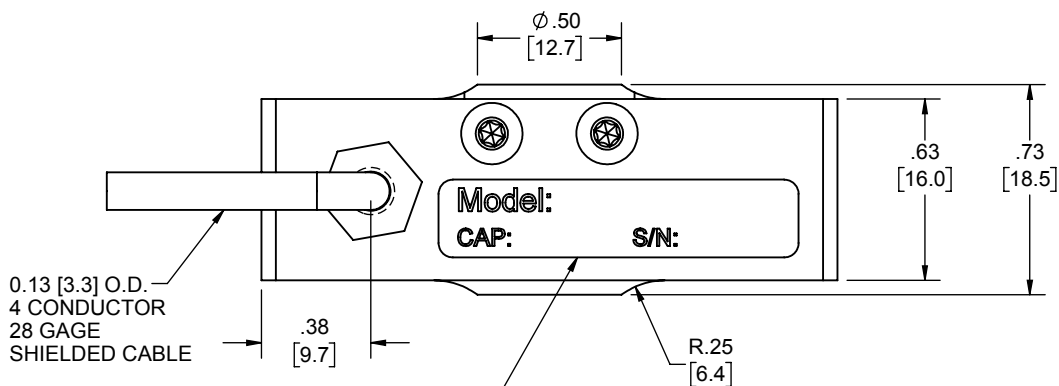
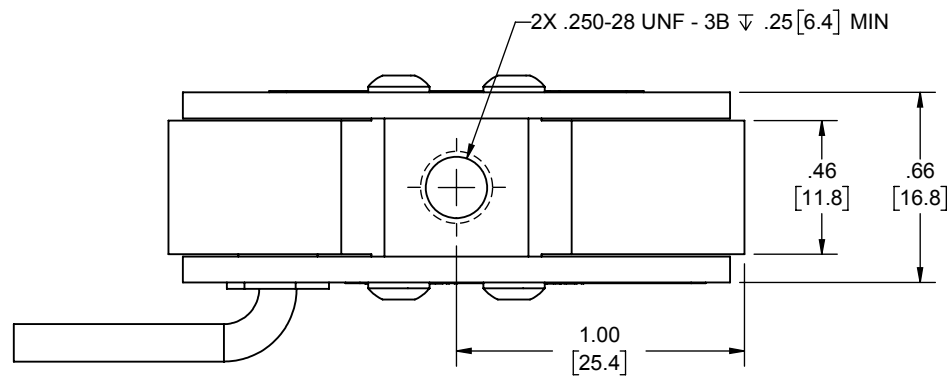
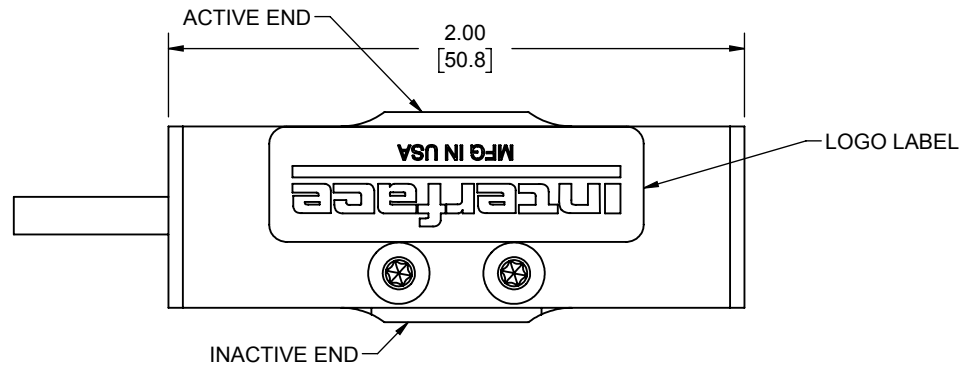


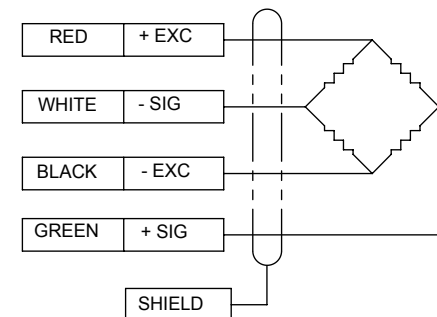
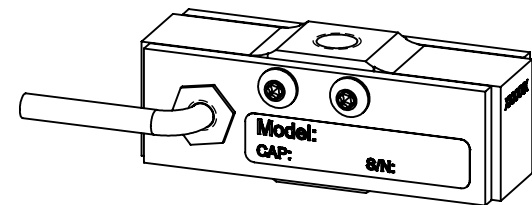
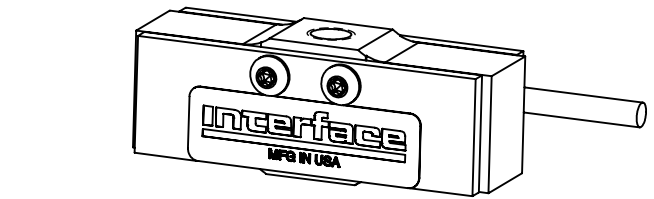
LOAD CELL CHARACTERISTICS	
CAPACITY	25, 50, 100 (lbf)
FLEXURE MATERIAL:	ANODIZED ALUMINUM

Interface Inc. claims proprietary rights in the information disclosed herein. This drawing is furnished in confidence on the express understanding that neither it nor any reproduction thereof will be disclosed to others or used for the purpose of manufacture or procurement of the article or part shown hereon without written permission of Interface Inc. The drawing shall remain the property of Interface Inc. and shall be returned upon request by Interface Inc.

80210			
REVISIONS			
REV.	DESCRIPTION	DATE	APPROVED
A	INITIAL RELEASE	10/24/97	
B	REDRAWN TO CURRENT STD'S	10/25/2018	JAMES R.



IDENTIFICATION LABEL INCLUDING:
MODEL, CAPACITY & SERIAL NUMBER



TENSION UPSCALE

- 1 STANDARD CABLE LENGTH IS 5 FT [1.5 M].
NON-STANDARD CABLE LENGTH PER OPTION CODE.

UNLESS OTHERWISE SPECIFIED
DIMENSIONS ARE IN INCHES [mm]
TOLERANCES ARE:
ANGLES $\pm 0^\circ 30'$
.XX $\pm .01$ [0.25]
.XXX $\pm .005$ [0.13]

CREATOR DATE
DESIGNED:
DETAILED: JEP 10/24/97
WEIGHT: (APPROX) 0.07 (lbs)

Interface
FORCE MEASUREMENT SOLUTIONS. 7418 E. HELM DRIVE
SCOTTSDALE, AZ 85260 USA

TITLE:
**OUTLINE MODEL:
SML-25, 50, 100**

SIZE: DWG. NO: 80210 REV: B
SCALE: 3:2 SHEET 1 OF 1