

LOAD CELL CHARACTERISTICS

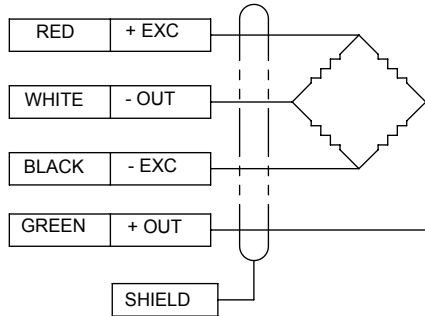
		US CAPACITIES	
#	CAPACITY	200, 300 (lbf)	500, 1000 (lbf)
1	FLEXURE MATERIAL	ANODIZED ALUMINUM	STAINLESS STEEL

Interface Inc. claims proprietary rights in the information disclosed herein. This drawing is furnished in confidence on the express understanding that neither it nor any reproduction thereof will be disclosed to others or used for the purpose of manufacture or procurement of the article or part shown herein without written permission of Interface Inc. The drawing shall remain the property of Interface Inc. and shall be returned upon request by Interface Inc.

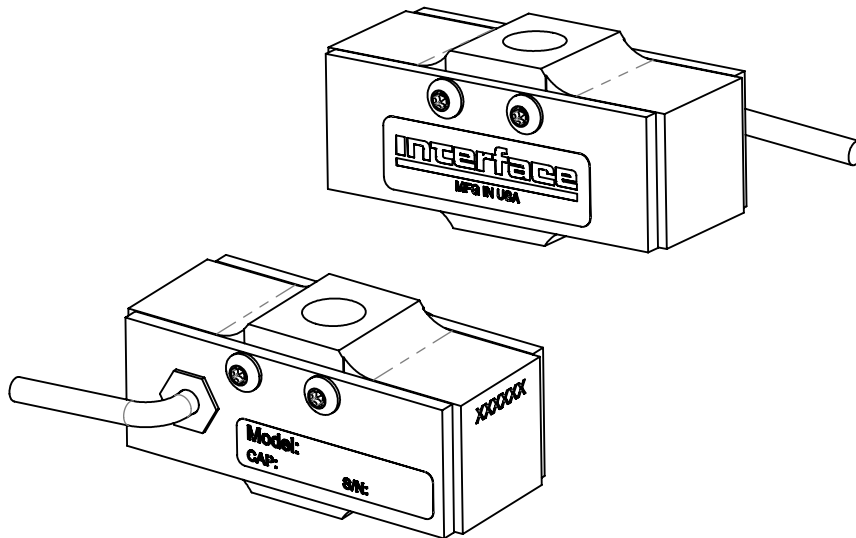
80219

REVISIONS

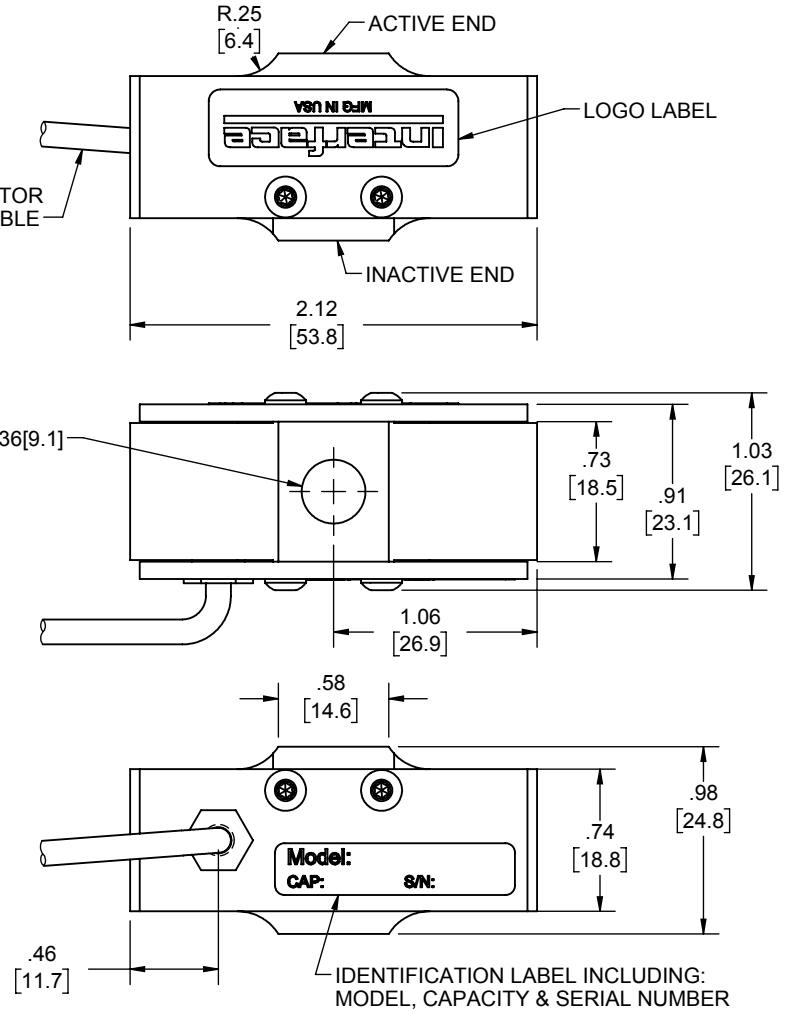
REV.	DESCRIPTION	DATE	APPROVED
A	INITIAL RELEASE	04/01/98	
B	REDRAWN, UPDATED IDENTIFICATION LABEL	02/12/16	DLC
C	UPDATED TO CURRENT STANDARDS	9/27/2017	JR



TENSION UPSCALE



.13 [3.3] O.D. 4 CONDUCTOR
28 GAGE SHIELDED CABLE



▲ STANDARD CABLE LENGTH IS 5 FT [1.5M]
NON-STANDARD CABLE LENGTH PER OPTION CODE.

UNLESS OTHERWISE SPECIFIED
DIMENSIONS ARE IN INCHES [mm]
TOLERANCES ARE:
ANGLES ± 0° 30'
.XX ± .01 [0.25]
.XXX ± .005 [0.13]

CREATOR:	DATE:
DESIGNED:	
DETAILED: JEP	03/31/1998
WEIGHT: (APPROX) 0.26 (lbs)	

interface 7401 E. BUTHRUS DR.
FOR OF MEASUREMENT SOLUTIONS SCOTTSDALE, AZ 85260 USA

TITLE:
**OUTLINE MODEL:
SML-200, -300, -500, -1000**

SIZE: A	DWG. NO: 80219	REV: C
SCALE: 1:1	SHEET 1 OF 1	