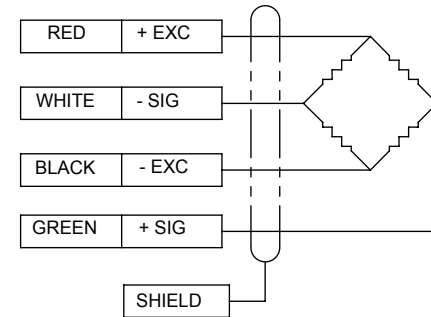
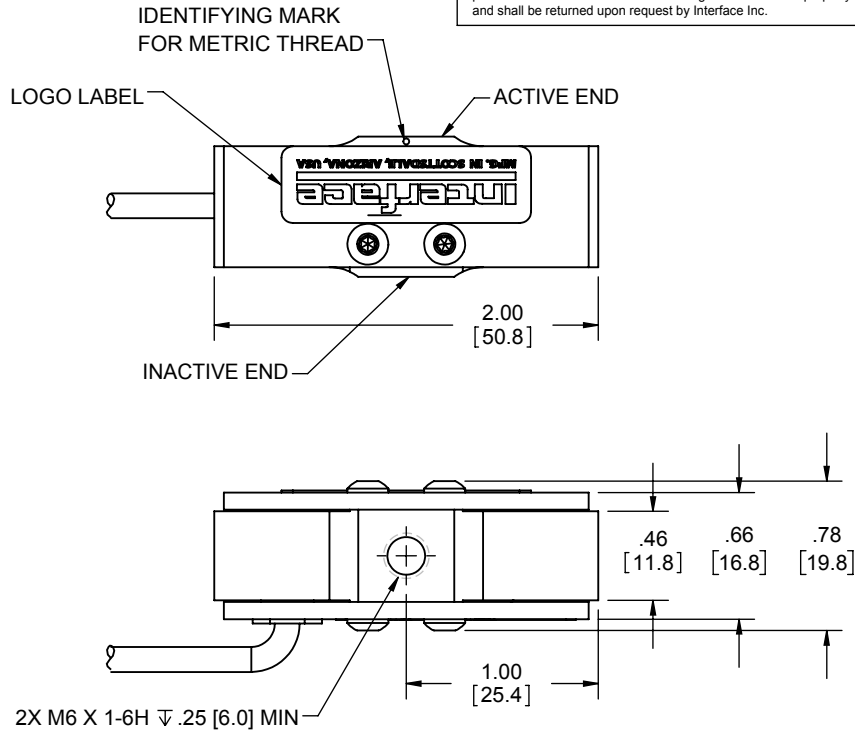


LOAD CELL CHARACTERISTICS	
CAPACITY	110N, 220N, 450N

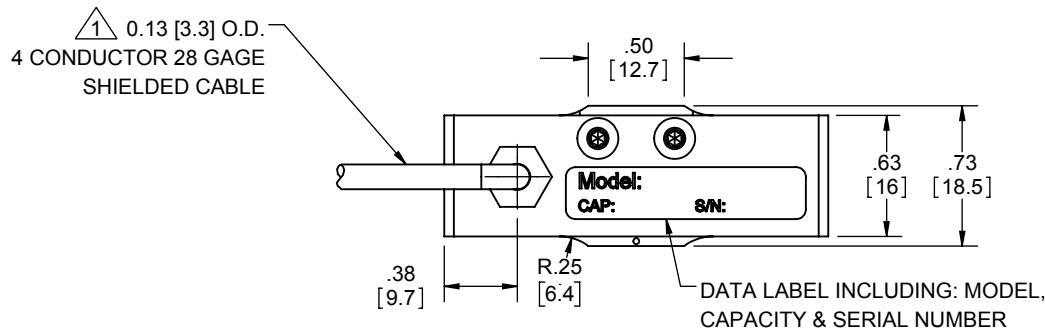
Interface Inc. claims proprietary rights in the information disclosed hereon. This drawing is furnished in confidence on the express understanding that neither it nor any reproduction thereof will be disclosed to others or used for the purpose of manufacture or procurement of the article or part shown hereon without written permission of Interface Inc. The drawing shall remain the property of Interface Inc. and shall be returned upon request by Interface Inc.

81075

REVISIONS			
REV.	DESCRIPTION	DATE	APPROVED
A	INITIAL RELEASE	05/12/11	
B	UPDATED TO CURRENT STANDARDS	03/14/2017	BB



TENSION UPSCALE



- 2. FLEXURE MATERIAL: ANODIZED ALUMINUM
- 1 STANDARD CABLE LENGTH IS 5 FT [1.5M]. NON STANDARD CABLE LENGTH PER OPTION CODE.

UNLESS OTHERWISE SPECIFIED DIMENSIONS ARE IN INCHES [mm]	
TOLERANCES ARE:	
ANGLES	$\pm 0^{\circ} 30'$
.XX	$\pm .01$ [0.25]
.XXX	$\pm .005$ [0.13]
CREATOR	DATE
DESIGNED: LAVAR C.	05/12/11
DETAILED: AL	05/12/11
WEIGHT: (APPROX) 0.1 (lbs)	

**interface**  
ADVANCED FORCE MEASUREMENT  
7401 E. BUTHERUS DR. SCOTTSDALE, AZ USA 85260

TITLE:  
**OUTLINE, MODEL: SML-110N, -220N, -450N**

SIZE: A	DWG. NO: 81075	REV: B
SCALE: 1:1	SHEET 1 OF 1	