

LOAD CELL CHARACTERISTICS

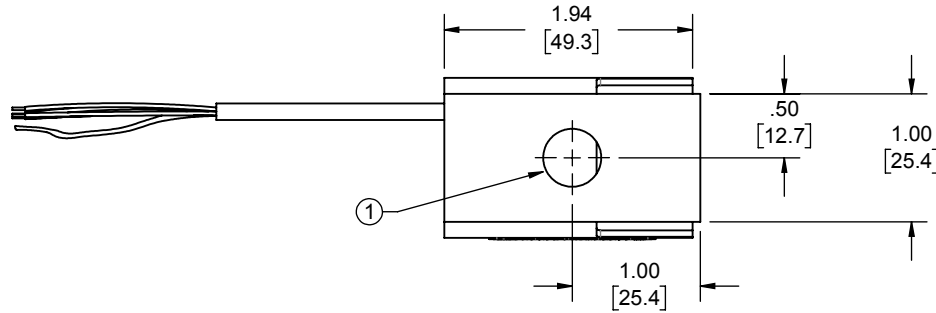
#	CAPACITY	US CAPACITIES	SI CAPACITIES
		500 (lbf)	2000N
1	FLEXURE THREAD	.500-20 UNF-2B	M12 X 1.75-6H

Interface Inc. claims proprietary rights in the information disclosed herein. This drawing is furnished in confidence on the express understanding that neither it nor any reproduction thereof will be disclosed to others or used for the purpose of manufacture or procurement of the article or part shown herein without written permission of Interface Inc. The drawing shall remain the property of Interface Inc. and shall be returned upon request by Interface Inc.

80029

REVISIONS

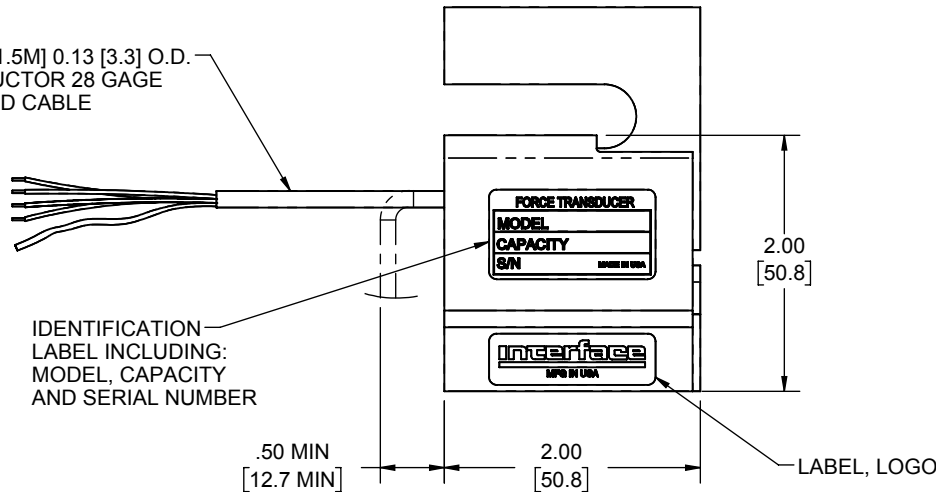
REV.	DESCRIPTION	DATE	APPROVED
A	INITIAL RELEASE	06/16/16	DLC
B	ADDED MISSING THREAD STOP PLUG	10/16/2017	RMP



TENSION LOAD ▲ PRIMARY AXIS

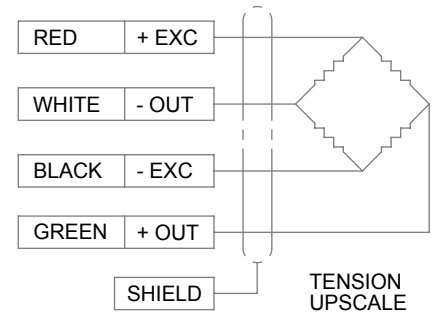
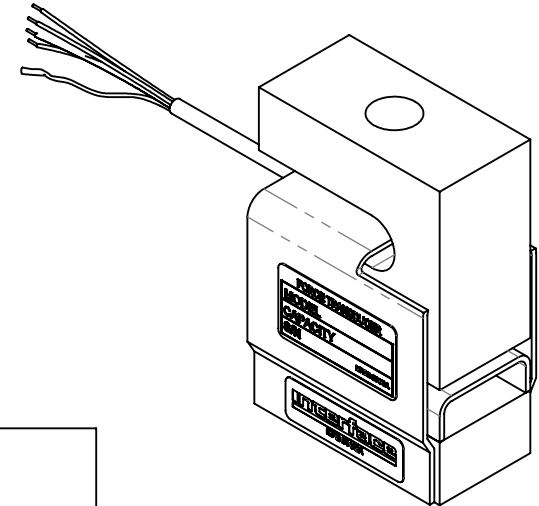
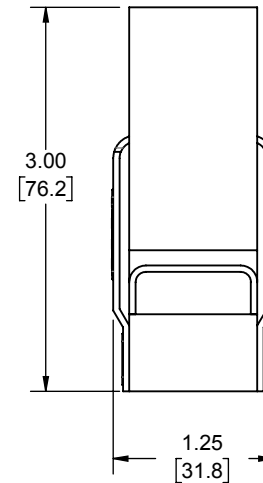
5 FEET [1.5M] 0.13 [3.3] O.D. 4 CONDUCTOR 28 GAGE SHIELDED CABLE

1



IDENTIFICATION LABEL INCLUDING: MODEL, CAPACITY AND SERIAL NUMBER

LABEL, LOGO



2. FLEXURE MATERIAL: ANODIZED ALUMINUM.

1 STANDARD CABLE LENGTH IS 5 FT [1.5M]. NON-STANDARD CABLE LENGTH PER OPTION CODE.

UNLESS OTHERWISE SPECIFIED DIMENSIONS ARE IN INCHES [mm]
 TOLERANCES ARE:
 ANGLES ± 0° 30'
 .XX ± .01 [0.25]
 .XXX ± .005 [0.13]

CREATOR	DATE
DESIGNED:	
DETAILED: PER	12/19/1995
WEIGHT: (APPROX) 0.5 (lbs)	

Interface 7401 E. BUTHERUS DR. SCOTTSDALE, AZ 85260 USA
 FORCE MEASUREMENT SOLUTIONS
 TITLE: **OUTLINE MODEL: SM-500 & -2000N**

SIZE: A	DWG. NO: 80029	REV: B
SCALE: 2:3	SHEET 1 OF 1	