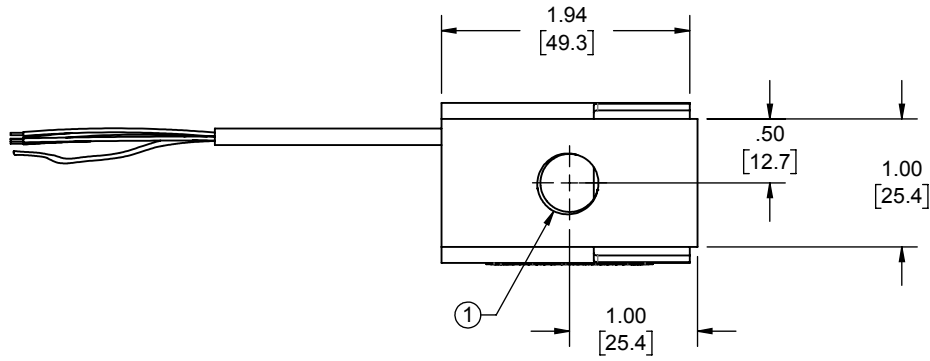


LOAD CELL CHARACTERISTICS

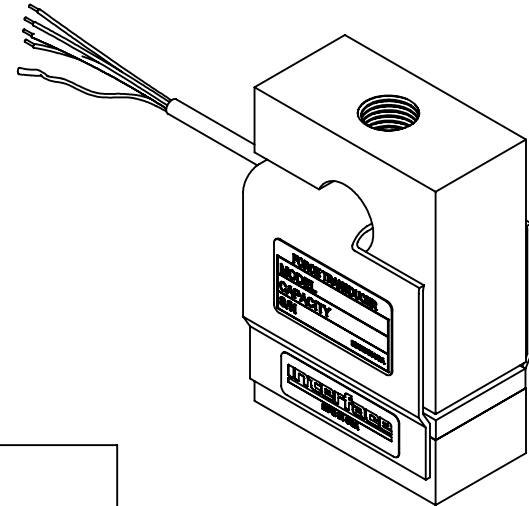
#	CAPACITY	US CAPACITIES	SI CAPACITIES
		1000 (lbf)	3000N, 5000N
1	FLEXURE THREAD	.500-20 UNF-2B	M12 X 1.75-6H

Interface Inc. claims proprietary rights in the information disclosed herein. This drawing is furnished in confidence on the express understanding that neither it nor any reproduction thereof will be disclosed to others or used for the purpose of manufacture or procurement of the article or part shown herein without written permission of Interface Inc. The drawing shall remain the property of Interface Inc. and shall be returned upon request by Interface Inc.

REVISIONS			
REV.	DESCRIPTION	DATE	APPROVED
A	REDRAWN TO CURRENT STANDARDS	06/20/16	DLC
B	ADDED 3000N CAPACITY; ADDED NOTE 3	7/07/2017	RMP
C	ADDED THREAD STOP BLOCK	10/18/2017	RMP

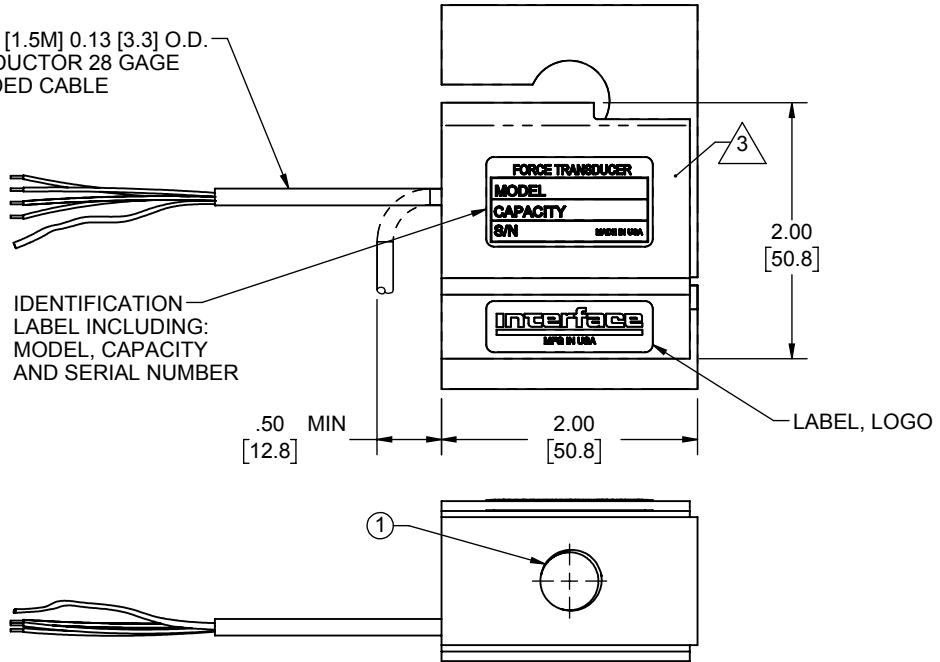


TENSION LOAD ▲ PRIMARY AXIS



5 FEET [1.5M] 0.13 [3.3] O.D. 4 CONDUCTOR 28 GAGE SHIELDED CABLE

①



IDENTIFICATION LABEL INCLUDING: MODEL, CAPACITY AND SERIAL NUMBER

LABEL, LOGO

THREAD STOP BLOCK

- RED + EXC
- WHITE - OUT
- BLACK - EXC
- GREEN + OUT

SHIELD TENSION UPSCALE

③ COVER COLOR: BLUE

2. FLEXURE MATERIAL: ANODIZED ALUMINUM.

① STANDARD CABLE LENGTH IS 5 FT [1.5M], NON-STANDARD CABLE LENGTH PER OPTION CODE.

UNLESS OTHERWISE SPECIFIED DIMENSIONS ARE IN INCHES [mm]
 TOLERANCES ARE:
 ANGLES ± 0° 30'
 .XX ± .01 [0.25]
 .XXX ± .005 [0.13]

CREATOR	DATE
DESIGNED:	
DETAILED: PER	12/29/1995
WEIGHT: (APPROX)	0.6 (lbs)

Interface 7401 E. BUTHERUS DR. SCOTTSDALE, AZ 85260 USA
 FORCE MEASUREMENT SOLUTIONS

TITLE:
**OUTLINE MODEL:
 SM-1000, -3000N & -5000N**

SIZE: A	DWG. NO: 80030	REV: C
SCALE: 2:3	SHEET 1 OF 1	