

Why choose the Interface **GOLD STANDARD**[®] Calibration System?

Load Frame

- Interface Inc. is the industry leader for force calibration systems (50 years)
- The **Gold Standard**[®] Calibration Software is used in over 300 calibration labs worldwide
- 2 channels
- SCB1 measurement board
- Less than 0.04% RDG uncertainty
- Signal conditioning has very low nonlinearity specification (<0.003% FS)
- Fully automated system will reduce calibration time by 50% to 90%
- Automated calibration run can be completed in less than 5 minutes
- 4-post design provides superior stability throughout the calibration
- Innovative fixturing allows for tension and compression calibration without changing setup
- 12" clearance between posts allows for easy load cell installation and removal
- Accurate and reliable load control achieved by proprietary load feedback design
- Testing and reporting per ASTM E74 and/or ISO 376 standards with optional software
- Automatically produces standard reports, graphs, and performance parameter calculations
- Ability to customize reports and graphs
- Automatically archives data

Software

- Load points can be preset as required per your test specifications
- The **Gold Standard**[®] Calibration Software will provide exact load output at specific load points
- Datasets for loading are automatically organized to provide curve-fitting and low and high data point values for metrology-based error analysis
- Results from earlier runs can be compared, measured, and displayed with current run results



The **Gold Standard**[®] Calibration System includes:

- 55K lbf and higher capacities load frame
- Integrated control and measurement system
- Integrated computer system with Interface **Gold Standard**[®] Calibration Software
- One set of thread adapters for initial set-up and use



GOLD STANDARD[®]
CALIBRATION SYSTEM
Next Generation Force Measurement Solutions

Interface is the world's trusted leader in technology, design and manufacturing of force measurement solutions.

Our clients include a "who's who" of the aerospace, automotive and vehicle, medical device, energy, industrial manufacturing, test and measurement industries.

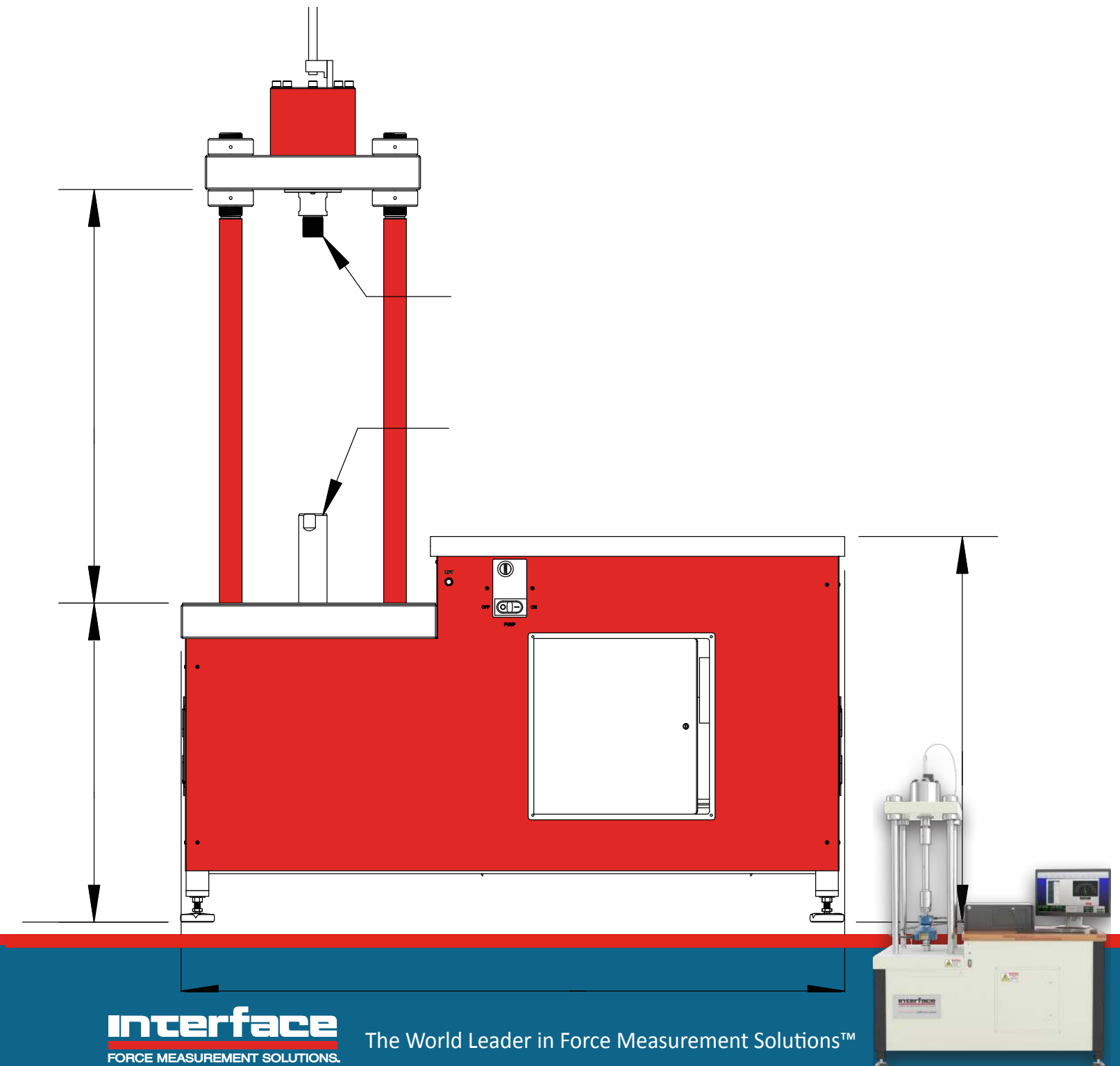
Interface engineers around the world are empowered to create high-level tools and solutions that deliver consistent, high quality performance. These products include load cells, torque transducers, multi-axis sensors, wireless telemetry, instrumentation and calibration equipment.

Interface, Inc., was founded in 1968 and is a US-based, woman-owned technology manufacturing company headquartered in Scottsdale, Arizona.

GOLD STANDARD[®]

CALIBRATION SYSTEM

Next Generation Force Measurement Solutions



interface
FORCE MEASUREMENT SOLUTIONS.

7418 East Helm Drive, Scottsdale, AZ 85260 • 480.948.5555 • interfaceforce.com

interface
FORCE MEASUREMENT SOLUTIONS.

The World Leader in Force Measurement Solutions™

GOLD STANDARD[®]

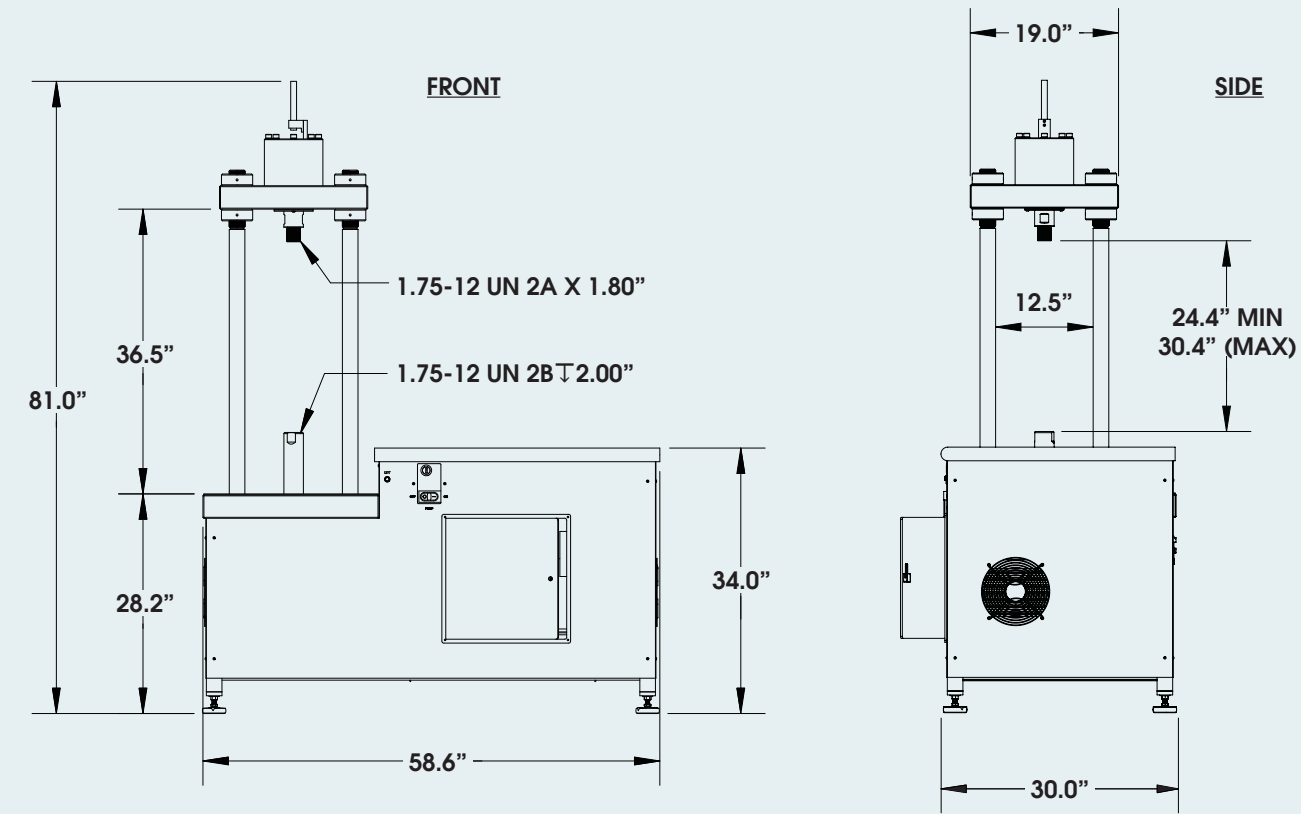
CALIBRATION SYSTEM

Next Generation Force Measurement Solutions

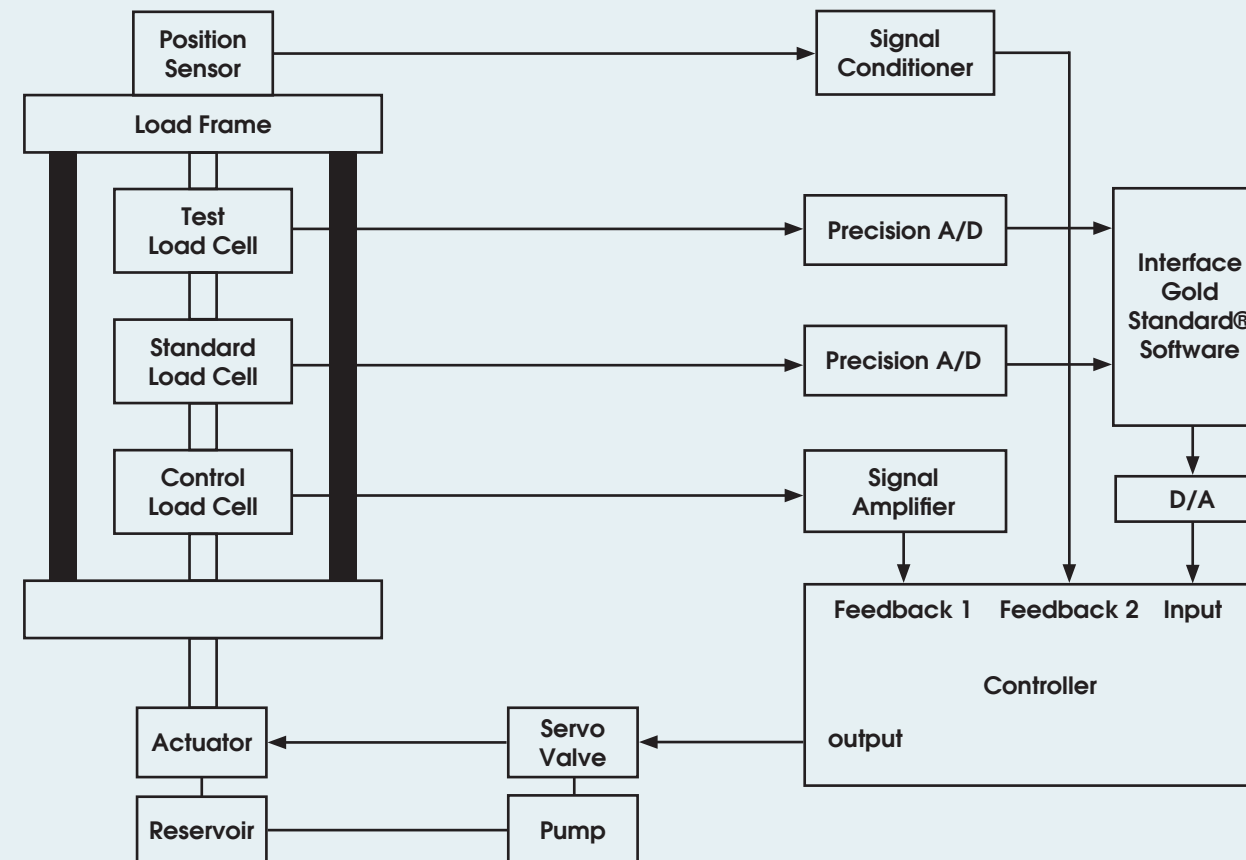
The Interface Gold Standard[®] Calibration System using the Interface Gold Standard[®] Load Cell ensures a metrology system of the highest accuracy and lowest uncertainty available.



Dimensions



System Block Diagram



Specifications

Load Frame

Capacity	55K lbf and higher
Dimensions	58.6 in. L x 30.0 in. W x 81.0 in. H
Weight	2200 lb
Type	Four Column, Dual Action Hydraulic
Load Cell Test Type	Compression or Tension
Horizontal Clearance	12.5 in.
Vertical Clearance	24.4 in. to 30.4 in.
Piston Stroke	6.0 in.
Top Swivel Thread	1.75-12 Male
Bottom Actuator Thread	1.75-12 Female
Position Sensor	LVDT
Zero Control	Automatic Return
Slack Adaptor Range	+/- 0.25 in.
Load Cell/Indicator System Calibration	Optional Software
Thread Adaptors	Base Set Included

Hydraulic System

Oil Capacity	10 U.S. Gallons
Oil Type	Mobile DTE25 or Equivalent
Oil Over-temperature	Automatic Cut-Off
Low Oil Level	Automatic Cut-Off Indicator

Controls

Speed Control	Automatic
Speed Selection	Configurable
Controller	PID

User Interface

Control Interface Software	Industrial Computer Interface Gold [®] Standard
Reports	User Configurable
Test Reports Available	ASTM E74, ISO 376 or Custom
Shunt Calibration Curve Fit	Automatic or Manual Least Square Method
Calibration History	Compare Data with Past Results

Calibration

Uncertainty	Less than 0.04% RDG Uncertainty
Ranges	Dependent on Gold Standard [®] Load Cell
Overload Protection	User Configurable
Automatic Load Points	User Configurable
Load Measurement Range	1% to 100% of Load Frame Capacity
A/D Calibration Standard	Included

Requirements

Power Requirements	208/240 VAC, Single Phase, 50/60 HZ, 20 amp Circuit
--------------------	---



- A** 110 VAC, 60Hz 1 Phase for computer and monitor.
- B** 208/240 VAC 50/60 HZ @ 16 amps for hydraulic power unit.

GOLD STANDARD[®] CALIBRATION SYSTEM

Next Generation Force Measurement Solutions

Additional options include:

- Additional Gold Standard[®] or Platinum Standard[®] load cells
- Additional input bridges
- HRBSC high performance measurement board
- Special thread and calibration adapters
- Transfer standard for system calibration
- On-site training

To learn more about the Interface Gold Standard Calibration system or other force measurement solutions call 480-948-5555.

