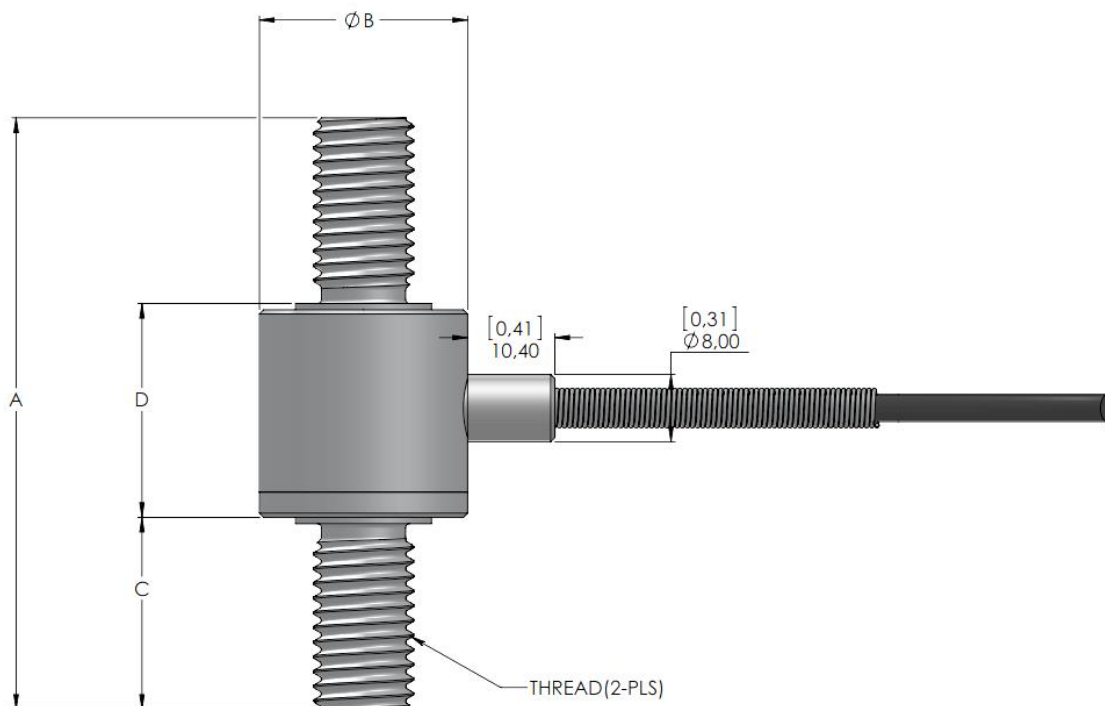


GWMC In Line Load Cell Specification (10kN – 50kN)

Dimensions mm [inch]



CAPACITY	A	B	C	D	THREAD
10kN	38.10mm[1.50"]	24.80mm[.98"]	10.65m[.42"]	17.55mm[.69"]	M10x1.5-6g
20kN	70.40mm[2.77"]	24.80mm[.98"]	22.85mm[.90"]	25.45mm[1.00"]	M12x1.75-6g
50kN	70.40mm[2.77"]	28.30mm[1.11"]	22.10mm[.87"]	26.20mm[1.03"]	M16X2.0-6g