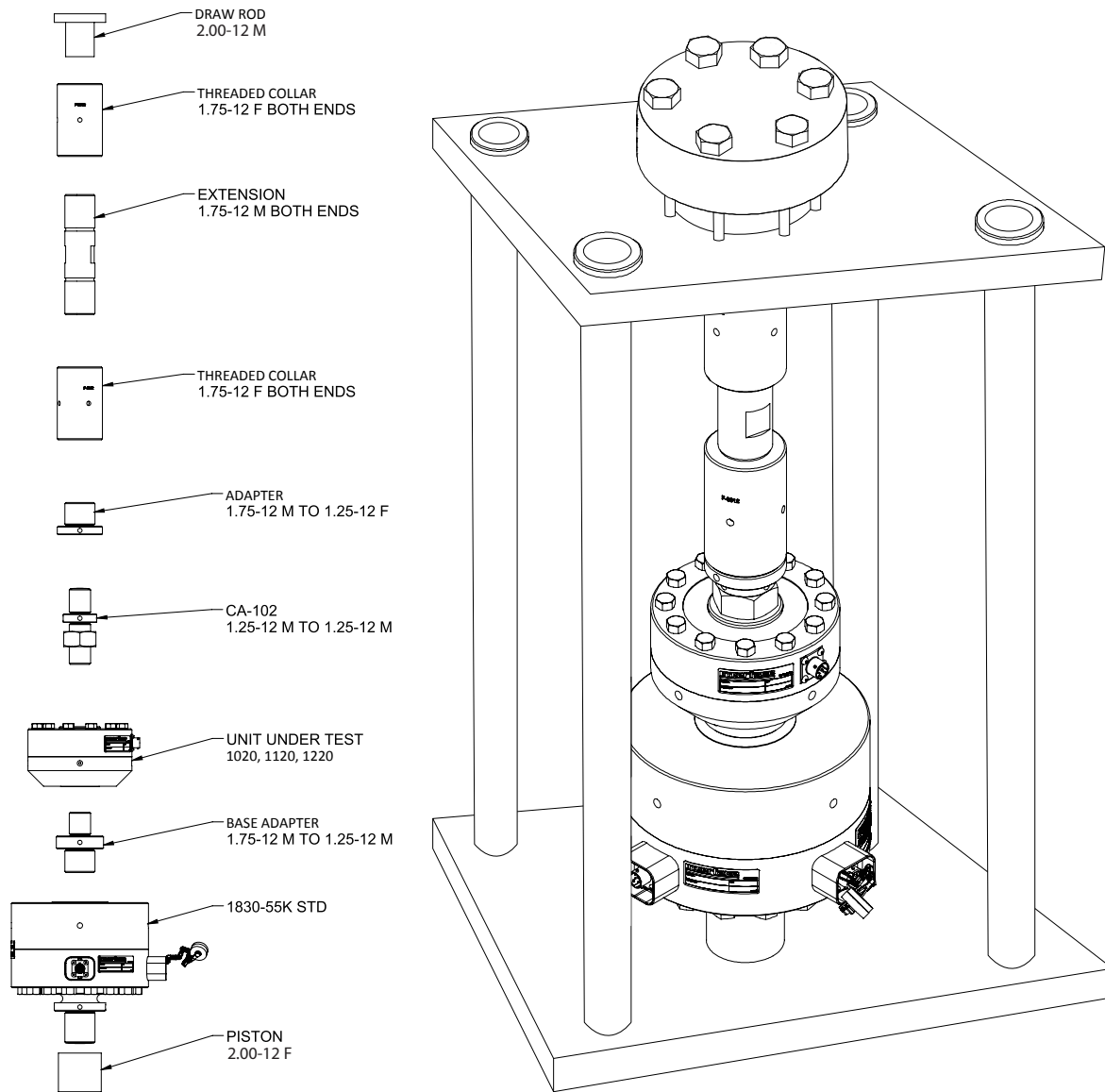


# Interface

## Calibration and Repair Services



Calibration and Repair Services v1.0

# CALIBRATION

## Calibration and Repair Services

Calibration is important for continue performance, safety and compliance with ISO and industry specific standards. Interface, leaders in force measurement solutions, recommends initial recalibrations at 12- month intervals. The frequency of calibrations should be determined by the following factors: tolerance range, stress levels, stability, accuracy, and quality assurance.

## Why choose the Interface for Calibration?

- ISO 17025 Accredited\*
- 50 Years of Calibration Experience
- 95,000+ Calibrations Performed Annually
- Full Service Machine Shop
- Custom Calibrations
- Permanent Archive of Test Data
- Calibration of All Manufacturer's Load Cells
- NMI Certified Gold and Platinum Standard Reference Load Cells
- Interface Gold Standard Calibration Software used for Data Collection and Analysis



\*For information about our ISO accreditation, go to [www.interfaceforce.com](http://www.interfaceforce.com), select Company, then Certifications and Compliance.

# Interface Expert Calibration and Repair Services

We provide comprehensive services for tension, compression, system calibrations, ISO 376, and ASTM E74. Outlined below are the types of services we offer:

## FORCE

Services Offered	Standard	ANSI Z-540.1 MIL-STD-4562A	ASTM E74	ISO 376
Tension and Compression	✓	✓	✓	✓
Dual Bridge	✓	✓	✓	✓
System Calibrations	✓	✓	✓	✓
Extra/Custom Points Available	✓	✓	✓	✓
Interface NMI Traceable Cal Cert	✓	✓	✓	✓
A2LA / ISO 17025 Accredited		✓	✓	✓
Lower Load Limits			✓	✓
Calibration Coefficients			✓	✓
Calibration Curve Fit Graph			✓	✓
ISO 376 Class 0.5 < 500 lbf				✓
ISO 376 Class 1 > 500 lbf				✓

## TORQUE

Services Offered	Standard	ANSI Z-540.1 MIL-STD-4562A	ASTM E74
Clockwise and Counter-Clockwise	✓	✓	✓
Dual Bridge	✓	✓	✓
System Calibrations	✓	✓	✓
Extra Points	✓	✓	✓
Interface NMI Traceable Cal Cert	✓	✓	✓
A2LA / ISO 17025 Accredited		✓	✓
Lower Load Limits			✓
Calibration Coefficients			✓
Calibration Curve Fit Graph			✓

## Scheduling Service is Easy

### Ready to get started? Request a Calibration or a Repair

Go to [www.interface.com](http://www.interface.com) and visit Calibration and Repair on the menu options. Click on the button, Need a Calibration?, and complete the form. Upon request, Interface will contact you with a formal quote and shipping instructions.

For sales, service, or support go online at [www.interfaceforce.com](http://www.interfaceforce.com) or call 480-



**50g - 1,000,000 lbf  
Calibration Capacity**

# Interface Calibration and Repair

- Full Service Machine Shop for any Mechanical Requirements
- Comprehensive Repair Services for Interface Load and Torque Sensors
- Basic Repair Services for Industry Standard Load and Torque Sensors
- Dependable 7-10 Day or Less Turn Around including Calibration
- Connector Replacement for any Manufacturers Load Cells



*Interface provides calibration and repair services on load cells and other force and torque measurement devices from nearly any manufacturer.*

**To learn more  
about the Interface  
calibration and repair  
services call  
480-948-5555.**

**Interface is the world's trusted leader in technology, design and manufacturing of force measurement solutions.**

**Our clients include a "who's who" of the aerospace, automotive and vehicle, medical device, energy, industrial manufacturing, test and measurement industries.**

Interface engineers around the world are empowered to create high-level tools and solutions that deliver consistent, high quality performance. These products include load cells, torque transducers, multi-axis sensors, wireless telemetry, instrumentation and calibration equipment.

Interface, Inc., was founded in 1968 and is a US-based, woman-owned technology manufacturing company headquartered in Scottsdale, Arizona.