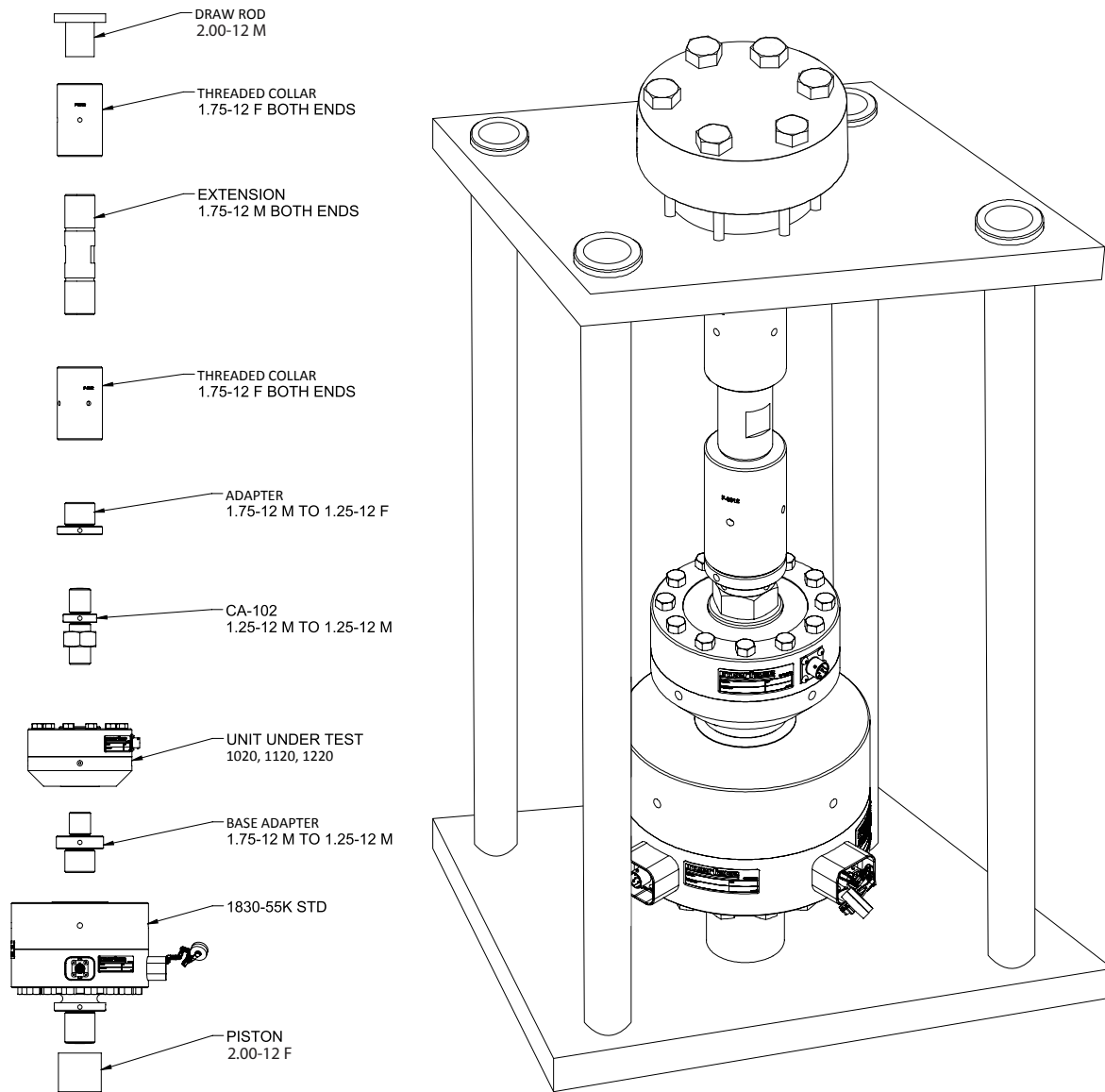


Interface

Calibration and Repair Services



Calibration and Repair Services v1.0

CALIBRATION

Calibration and Repair Services

Calibration is important for continue performance, safety and compliance with ISO and industry specific standards. Interface, leaders in force measurement solutions, recommends initial recalibrations at 12- month intervals. The frequency of calibrations should be determined by the following factors: tolerance range, stress levels, stability, accuracy, and quality assurance.

Why choose the Interface for Calibration?

- ISO 17025 Accredited*
- 50 Years of Calibration Experience
- 95,000+ Calibrations Performed Annually
- Full Service Machine Shop
- Custom Calibrations
- Permanent Archive of Test Data
- Calibration of All Manufacturer's Load Cells
- NMI Certified Gold and Platinum Standard Reference Load Cells
- Interface Gold Standard Calibration Software used for Data Collection and Analysis



*For information about our ISO accreditation, go to www.interfaceforce.com, select Company, then Certifications and Compliance.

Interface Expert Calibration and Repair Services

We provide comprehensive services for tension, compression, system calibrations, ISO 376, and ASTM E74. Outlined below are the types of services we offer:

FORCE

Services Offered	Standard	ANSI Z-540.1 MIL-STD-4562A	ASTM E74	ISO 376
Tension and Compression	✓	✓	✓	✓
Dual Bridge	✓	✓	✓	✓
System Calibrations	✓	✓	✓	✓
Extra/Custom Points Available	✓	✓	✓	✓
Interface NMI Traceable Cal Cert	✓	✓	✓	✓
A2LA / ISO 17025 Accredited		✓	✓	✓
Lower Load Limits			✓	✓
Calibration Coefficients			✓	✓
Calibration Curve Fit Graph			✓	✓
ISO 376 Class 0.5 < 500 lbf				✓
ISO 376 Class 1 > 500 lbf				✓

TORQUE

Services Offered	Standard	ANSI Z-540.1 MIL-STD-4562A	ASTM E74
Clockwise and Counter-Clockwise	✓	✓	✓
Dual Bridge	✓	✓	✓
System Calibrations	✓	✓	✓
Extra Points	✓	✓	✓
Interface NMI Traceable Cal Cert	✓	✓	✓
A2LA / ISO 17025 Accredited		✓	✓
Lower Load Limits			✓
Calibration Coefficients			✓
Calibration Curve Fit Graph			✓

Scheduling Service is Easy

Ready to get started? Request a Calibration or a Repair

Go to www.interface.com and visit Calibration and Repair on the menu options. Click on the button, Need a Calibration?, and complete the form. Upon request, Interface will contact you with a formal quote and shipping instructions.

For sales, service, or support go online at www.interfaceforce.com or call 480-



**50g - 1,000,000 lbf
Calibration Capacity**

Interface Calibration and Repair

- Full Service Machine Shop for any Mechanical Requirements
- Comprehensive Repair Services for Interface Load and Torque Sensors
- Basic Repair Services for Industry Standard Load and Torque Sensors
- Dependable 7-10 Day or Less Turn Around including Calibration
- Connector Replacement for any Manufacturers Load Cells



Interface provides calibration and repair services on load cells and other force and torque measurement devices from nearly any manufacturer.

To learn more about the Interface calibration and repair services call 480-948-5555.

Interface is the world's trusted leader in technology, design and manufacturing of force measurement solutions.

Our clients include a "who's who" of the aerospace, automotive and vehicle, medical device, energy, industrial manufacturing, test and measurement industries.

Interface engineers around the world are empowered to create high-level tools and solutions that deliver consistent, high quality performance. These products include load cells, torque transducers, multi-axis sensors, wireless telemetry, instrumentation and calibration equipment.

Interface, Inc., was founded in 1968 and is a US-based, woman-owned technology manufacturing company headquartered in Scottsdale, Arizona.