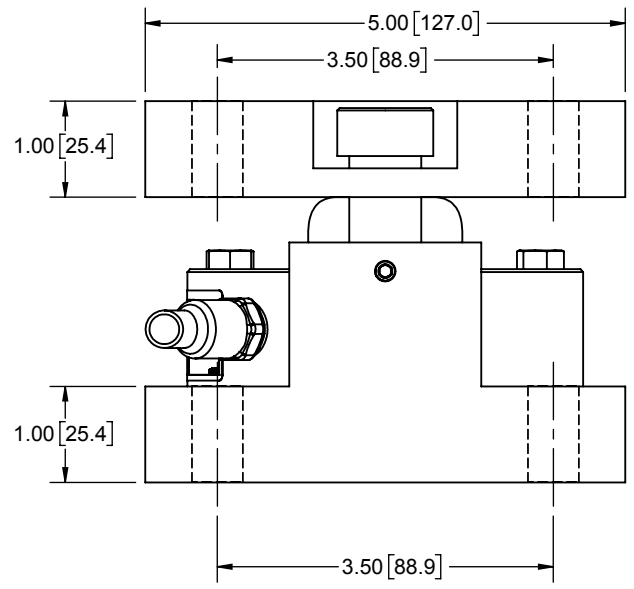
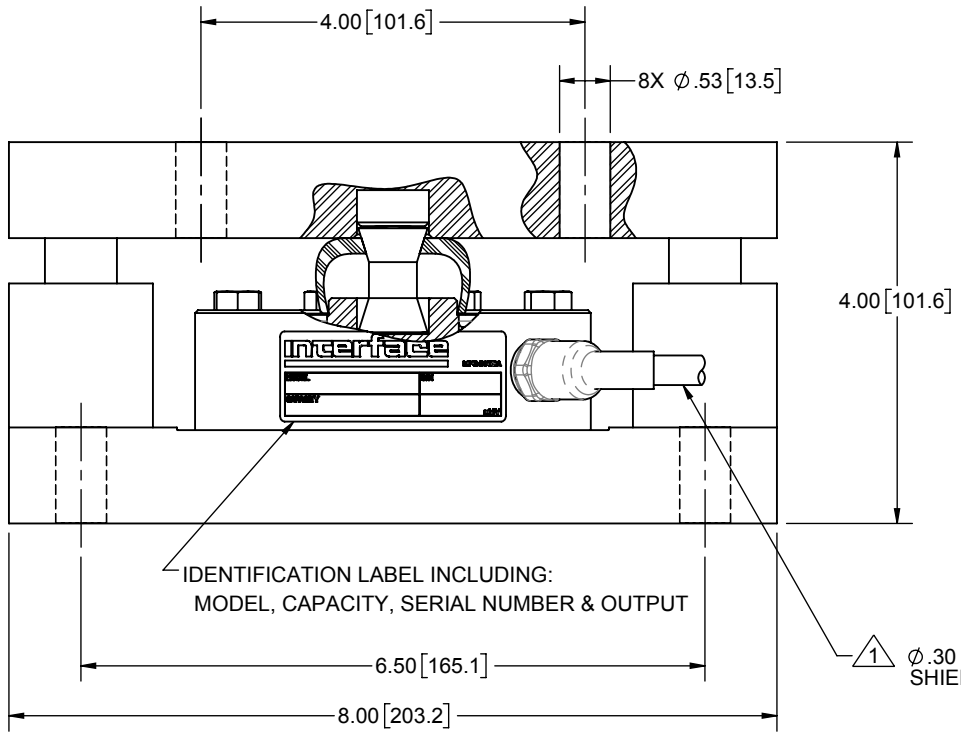


LOAD CELL CHARACTERISTICS	
CAPACITY	2.5K, 5K, 10K (lbf)

Interface Inc. claims proprietary rights in the information disclosed herein. This drawing is furnished in confidence on the express understanding that neither it nor any reproduction thereof will be disclosed to others or used for the purpose of manufacture or procurement of the article or part shown hereon without written permission of Interface Inc. The drawing shall remain the property of Interface Inc. and shall be returned upon request by Interface Inc.

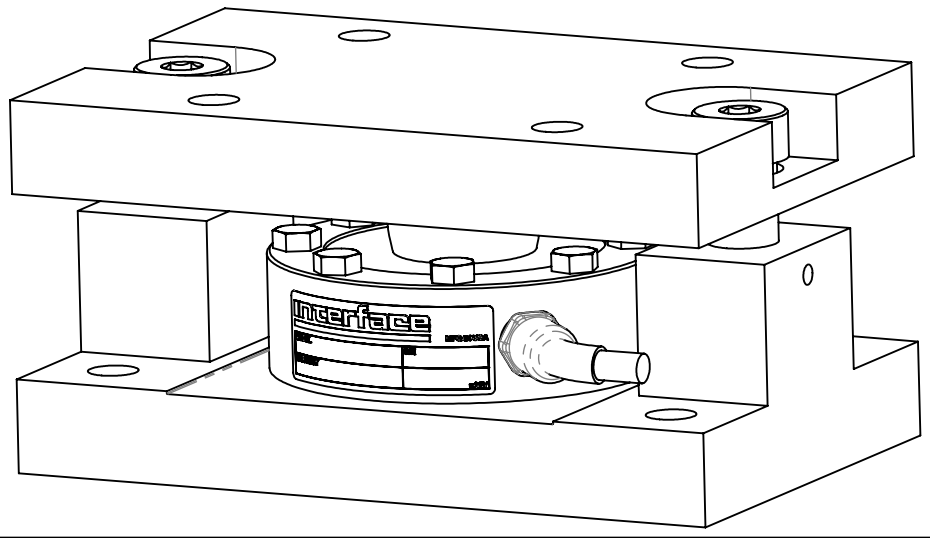
80223

REVISIONS			
REV.	DESCRIPTION	DATE	APPROVED
A	INITIAL RELEASE	04/07/98	
B	ADDED NOTE 4	08/25/98	
C	REDRAWN & UPDATED TO CURRENT STANDARDS; ADDED PINOUT TABLE, REMOVED NOTES 1 & 2	09/16/16	DLC
D	ADDED 2.5K CAPACITY	11/09/2017	AL



1 Ø.30 [7.6] O.D. 4 CONDUCTOR 20 GAGE SHIELDED CABLE, POLYURETHANE JACKET

INTEGRAL CABLE PINOUT	
COLOR	FUNCTION
RED	+ EXCITATION
GREEN	+ OUT
WHITE	- OUT
BLACK	- EXCITATION
SHIELD	N/C
TENSION UPSCALE	



2. NET WEIGHT: 30 lbs [14kg]

1 STANDARD CABLE LENGTH IS 30ft [10 m]  
NON-STANDARD CABLE LENGTH PER OPTION CODE.

UNLESS OTHERWISE SPECIFIED DIMENSIONS ARE IN INCHES [mm]	
TOLERANCES ARE:	
ANGLES ± 0° 30'	
.XX	± .01 [0.25]
.XXX	± .005 [0.13]
CREATOR	DATE
DESIGNED:	
DETAILED:	04/06/1998
JEP	
WEIGHT: (APPROX)	27 (lbs)

**Interface** 7418 E. HELM DRIVE  
**FORCE MEASUREMENT SOLUTIONS**, SCOTTSDALE, AZ 85260 USA

TITLE:  
**OUTLINE MODEL:  
A4211/A4611**

SIZE: DWG. NO: **80223** REV: **D**

SCALE: 1:2 SHEET 1 OF 1