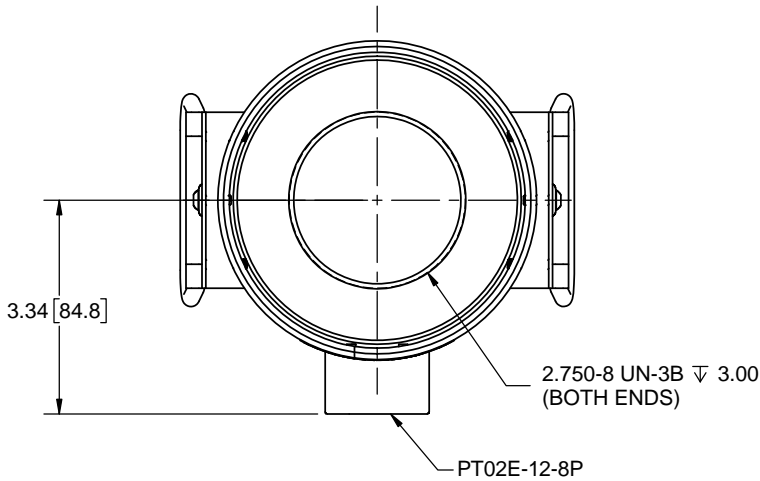


Interface Inc. claims proprietary rights in the information disclosed herein. This drawing is furnished in confidence on the express understanding that neither it nor any reproduction thereof will be disclosed to others or used for the purpose of manufacture or procurement of the article or part shown herein without written permission of Interface Inc. The drawing shall remain the property of Interface Inc. and shall be returned upon request by Interface Inc.

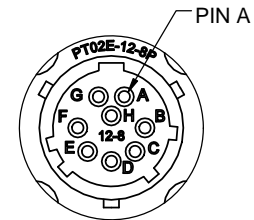
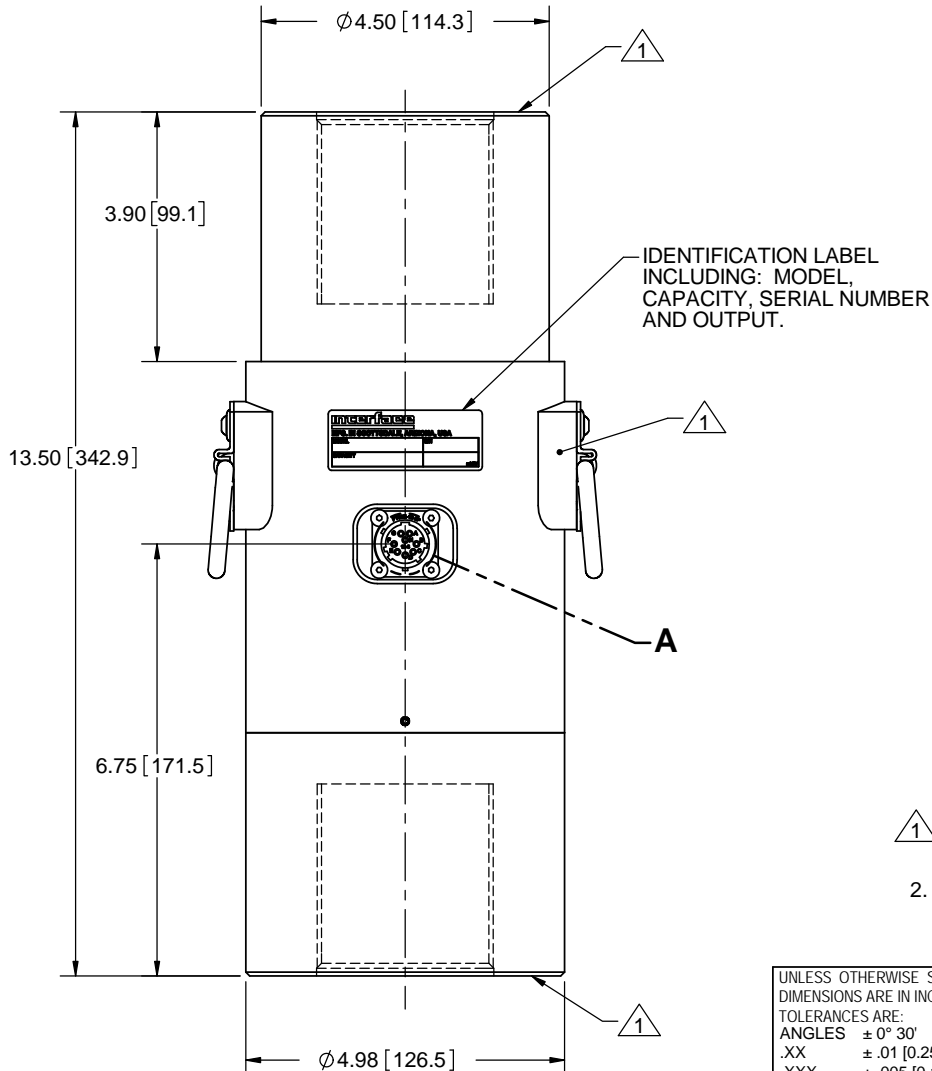
80936

REVISIONS

REV.	DESCRIPTION	DATE	APPROVED
A	INITIAL RELEASE	10/30/09	
B	UPDATED HANDLE GEOMETRY DISPLAY; ADDED CONNECTOR ORIENTATION VIEW	08/31/16	DLC



CONNECTOR PINOUT	
PIN	FUNCTION
A	+ EXCITATION
B	+ SIGNAL
C	- SIGNAL
D	- EXCITATION
E	- SENSE
F	+ SENSE
G	- SHUNT CAL
H	IDENT R
TENSION UPSCALE	



DETAIL A
SCALE 1 : 1

1 NO PAINT

2. PAINT BLUE

UNLESS OTHERWISE SPECIFIED
DIMENSIONS ARE IN INCHES [mm]
TOLERANCES ARE:
ANGLES ± 0° 30'
.XX ± .01 [0.25]
.XXX ± .005 [0.13]

CREATOR	DATE
DESIGNED: JOE G.	10/26/09
DETAILED: ME	10/30/09
WEIGHT: (APPROX) 46 (lbs)	

interface
ADVANCED FORCE MEASUREMENT
7401 E. BUTHERUS DR. SCOTTSDALE, AZ USA 85260

TITLE:
**OUTLINE MODEL
2240-200K**

SIZE: DWG. NO:
A 80936

SCALE: 1:3

SHEET 1 OF 1

REV: **B**