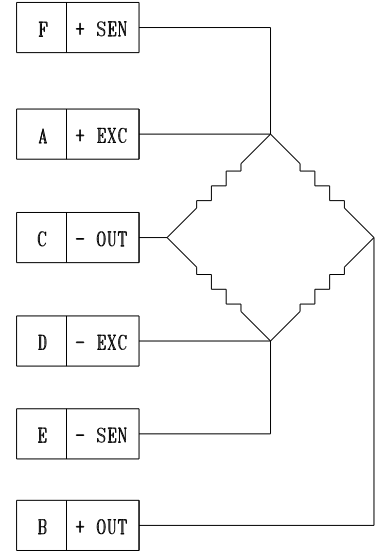
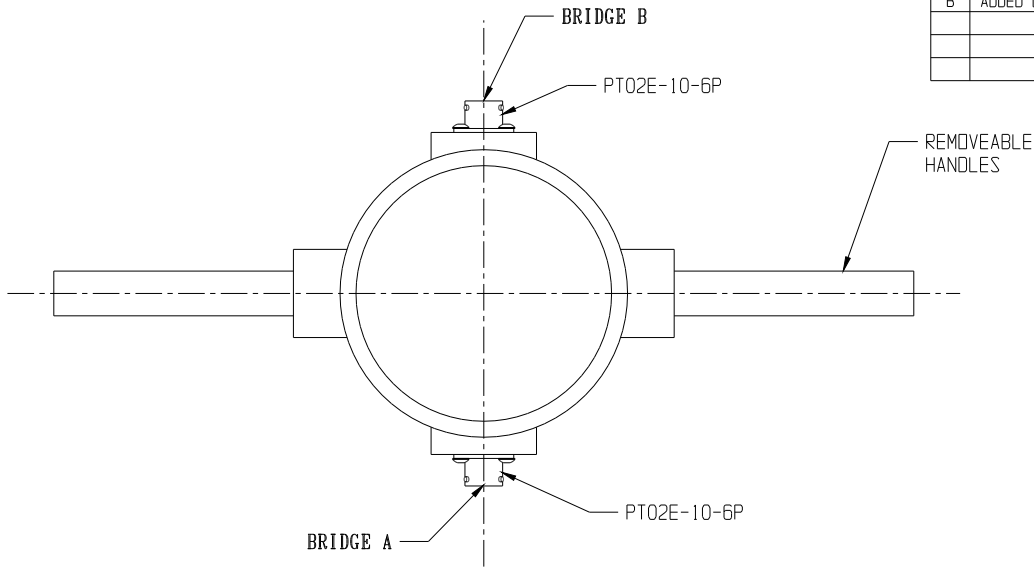
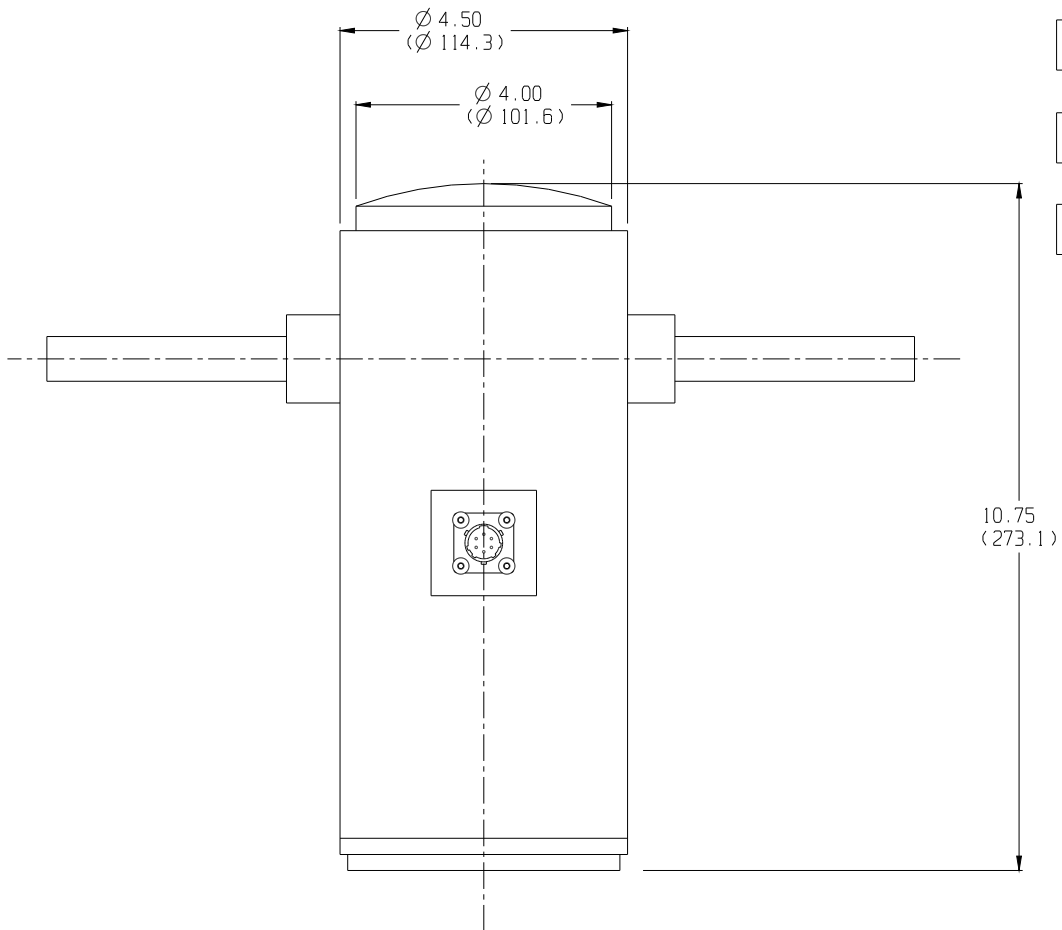


REVISIONS			
REV	DESCRIPTION	DATE	APPROVED
A	INITIAL RELEASE	04-16-01	
B	ADDED DIA. SYMBOL TO 4.50 DIM.	09-16-03	



TENSION UPSCALE



3. FINISH: CHROME PLATE.

2. DIMENSIONAL TOLERANCE: +/- 0.02 (mm +/- 0.5)

1. DIMENSIONS IN INCHES & (MM)

UNLESS OTHERWISE SPECIFIED	
ANGLES	+/- 0°30'
TWO DECIMALS	+/- .010
THREE DECIMALS	+/- .005
STD. RADII	.015-.035
Ø RUNDOUT	.002
REMOVE BURRS & SHARP EDGES	.02 MAX
SURFACE FINISH	63 MICROINCHES

Interface, Inc.

7401 E. BUTHERUS DR. SCOTTSDALE, ARIZONA 85260

TITLE: OUTLINE MODEL 2161CBD-500K	DWG NO.: 80334
--------------------------------------	--------------------------

SIZE: A	DRAWN BY: JEP	DATE: 03-02-01	REV: B
SCALE: 3:1	APPROVED BY:	SHEET 1 OF 1	

Interface Inc. claims propriety rights in the information disclosed herein. This drawing is furnished in confidence on the express understanding that neither it nor any reproduction thereof will be disclosed to others or used for the purpose of manufacture or procurement of the article or part shown hereon without written permission of Interface Inc. The drawing shall remain Interface's property and shall be returned on Interface's request.