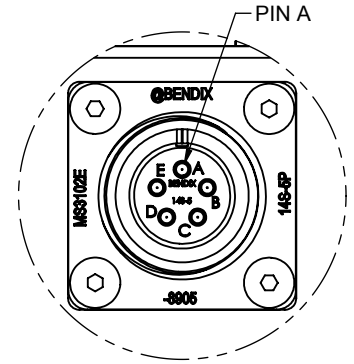
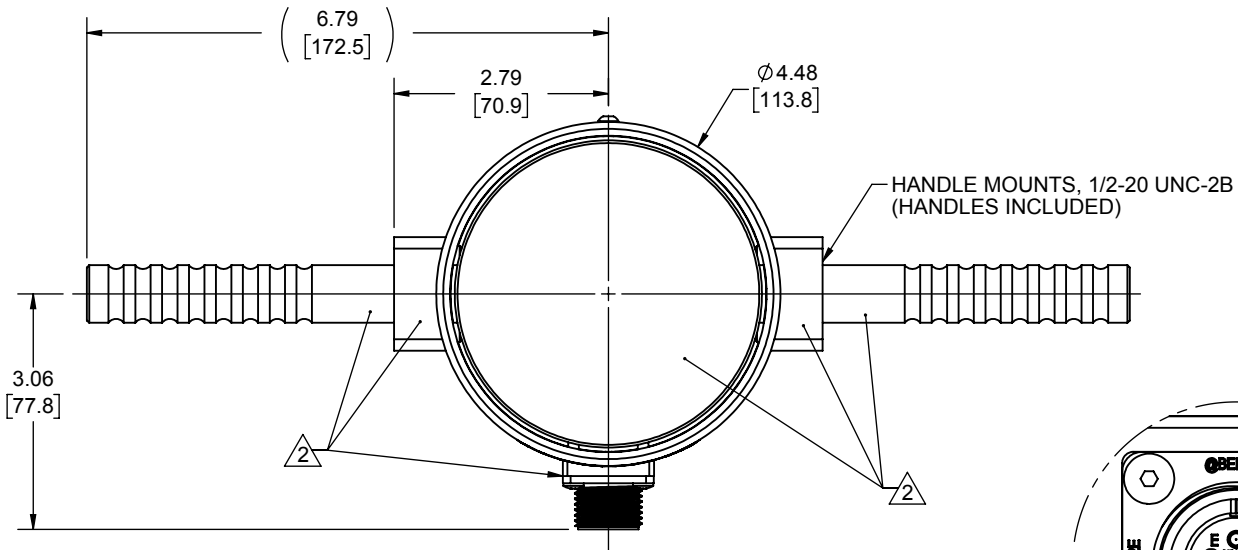


Interface Inc. claims proprietary rights in the information disclosed herein. This drawing is furnished in confidence on the express understanding that neither it nor any reproduction thereof will be disclosed to others or used for the purpose of manufacture or procurement of the article or part shown herein without written permission of Interface Inc. The drawing shall remain the property of Interface Inc. and shall be returned upon request by Interface Inc.

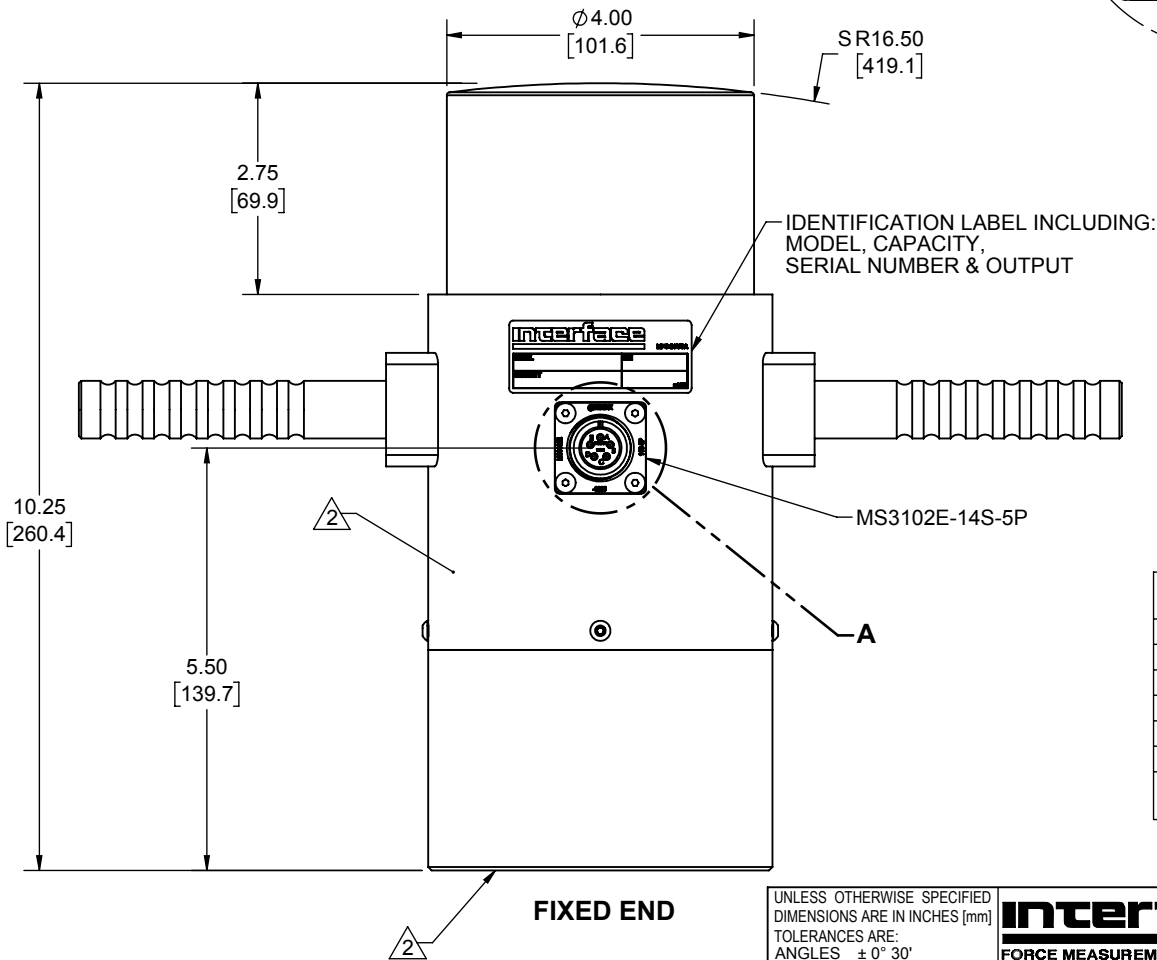
82132

REVISIONS

REV.	DESCRIPTION	DATE	APPROVED
A	INITIAL RELEASE	02/16/2018	CS
B	MS3102E-14S-5P WAS PT02E-12-8P	12/17/2018	CS



DETAIL A
SCALE 1 : 1



CONNECTOR PINOUT	
PIN	FUNCTION
A	+ EXCITATION
B	- EXCITATION
C	- SIGNAL
D	+ SIGNAL
E	N / C
COMPRESSION DOWNSCALE	

2
1. NO PAINT
DIMENSIONAL TOLERANCE: ±0.02 [±0.5].

UNLESS OTHERWISE SPECIFIED
DIMENSIONS ARE IN INCHES [mm]
TOLERANCES ARE:
ANGLES ± 0° 30'
.XX ± .01 [0.25]
.XXX ± .005 [0.13]

CREATOR	DATE
DESIGNED: CS	08/30/17
DETAILED: DAVID C.	9/13/2017
WEIGHT: (APPROX) 40.03 (lbs)	

Interface 7418 E. HELM DRIVE
FORCE MEASUREMENT SOLUTIONS. SCOTTSDALE, AZ 85260 USA

TITLE: OUTLINE MODEL: 2161DQX-400K		REV: B
SIZE: A	DWG. NO: 82132	
SCALE: 1:2.5	SHEET 1 OF 1	