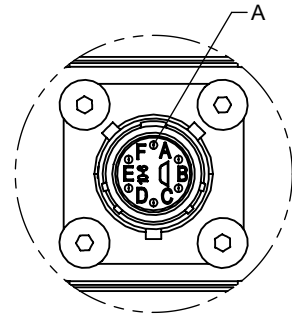
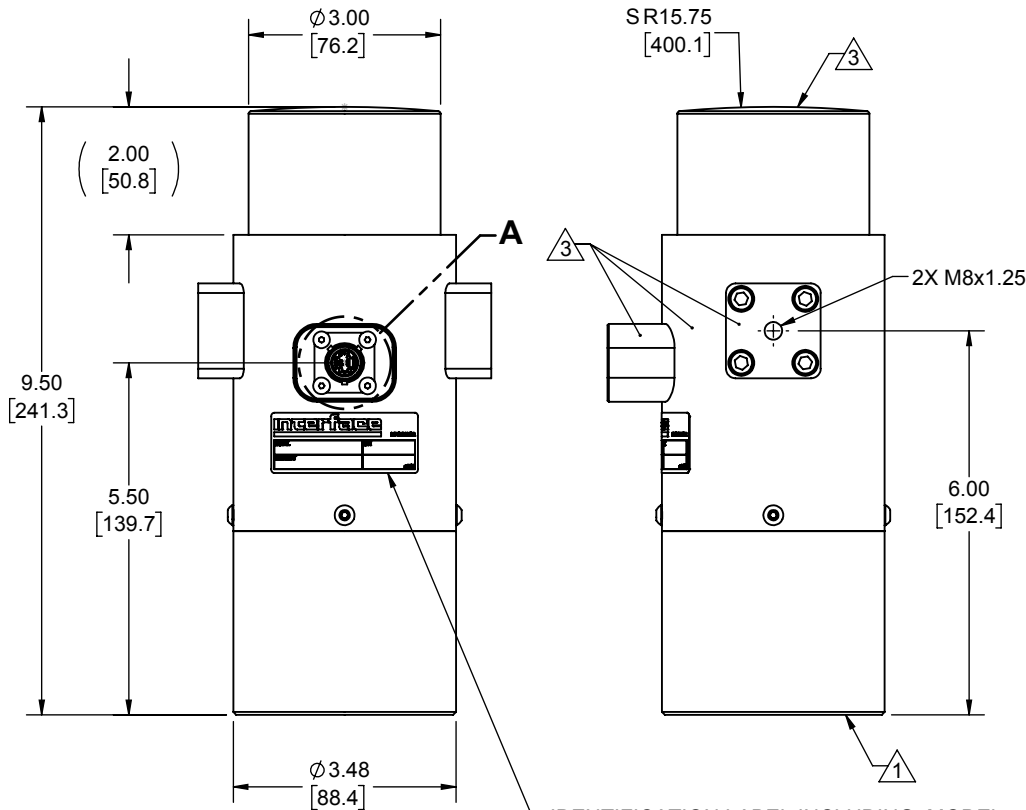
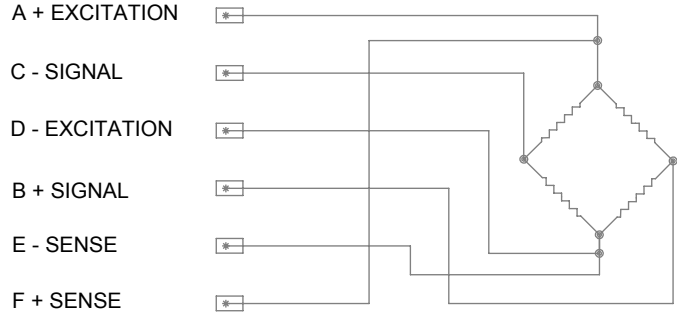
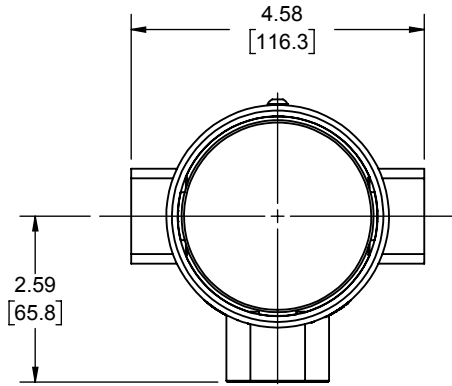


Interface Inc. claims proprietary rights in the information disclosed herein. This drawing is furnished in confidence on the express understanding that neither it nor any reproduction thereof will be disclosed to others or used for the purpose of manufacture or procurement of the article or part shown herein without written permission of Interface Inc. The drawing shall remain the property of Interface Inc. and shall be returned upon request by Interface Inc.

81433

REVISIONS

| REV. | DESCRIPTION | DATE | APPROVED |
|------|--------------------------|------------|----------|
| A | INITIAL RELEASE | 02/27/15 | LCG |
| B | UPDATED TO SLIP ON COVER | 05/17/2018 | CS |



DETAIL A
SCALE 1 : 1

IDENTIFICATION LABEL INCLUDING: MODEL, CAPACITY, SERIAL NUMBER & OUTPUT

- 4. COMPRESSION UPSCALE
- 3. NO PAINT.
- 2. CONNECTOR: PT02E-10-6P
- 1. DIMENSIONAL TOLERANCE: ±0.02 [±0.5].

UNLESS OTHERWISE SPECIFIED
DIMENSIONS ARE IN INCHES [mm]
TOLERANCES ARE:
ANGLES ± 0° 30'
.XX ± .01 [0.25]
.XXX ± .005 [0.13]

Interface 7418 E. HELM DRIVE
FORCE MEASUREMENT SOLUTIONS. SCOTTSDALE, AZ 85260 USA

| | |
|---------------------------------|------------|
| CREATOR | DATE |
| DESIGNED: CS | 02/05/2015 |
| DETAILED: CS | 2/5/2015 |
| WEIGHT: (APPROX) 23.82 (lbs) | |

| | | |
|--|--------------------------|------------------|
| TITLE: OUTLINE: 2161EYW-1335KN | | REV: B |
| SIZE: A | DWG. NO: 81433 | |
| SCALE: 1:3 | SHEET 1 OF 1 | |