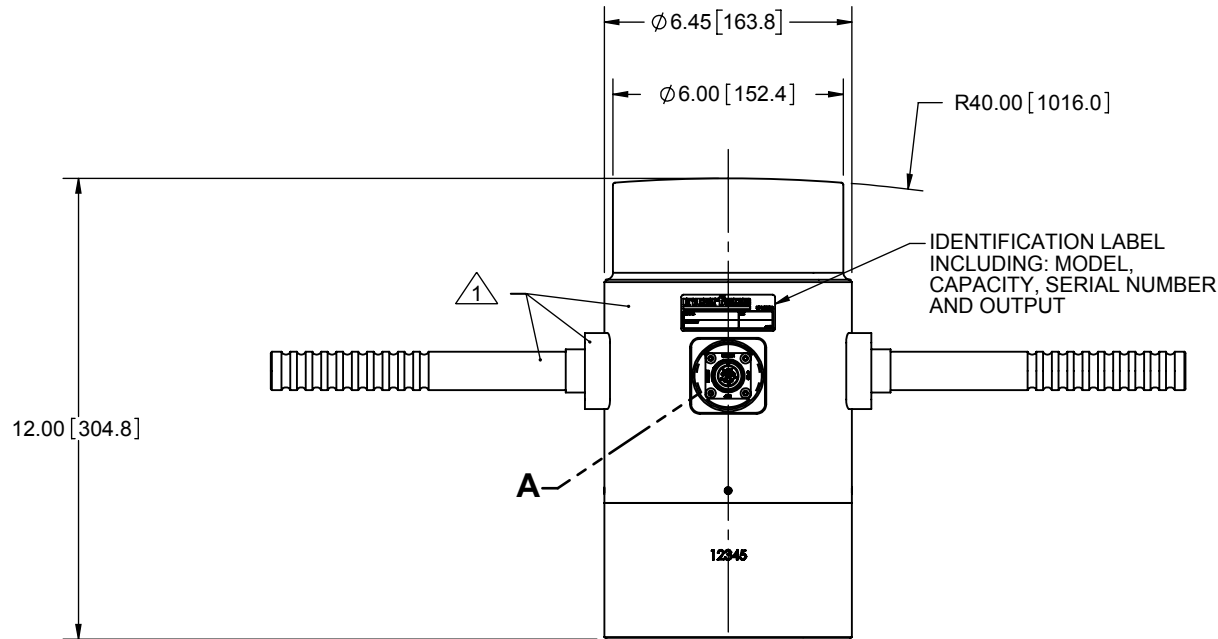
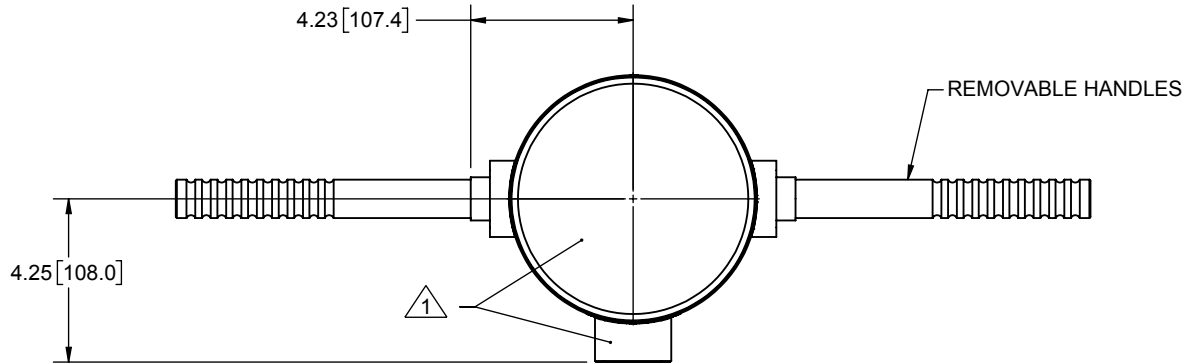


Interface Inc. claims proprietary rights in the information disclosed herein. This drawing is furnished in confidence on the express understanding that neither it nor any reproduction thereof will be disclosed to others or used for the purpose of manufacture or procurement of the article or part shown hereon without written permission of Interface Inc. The drawing shall remain the property of Interface Inc. and shall be returned upon request by Interface Inc.

80985

REVISIONS

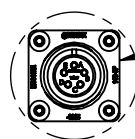
REV.	DESCRIPTION	DATE	APPROVED
A	INITIAL RELEASE	7/02/10	
B	ADDED CONN PROTECTOR; UPDATED TO CURRENT STDS	5/09/2019	CS



CONNECTOR PINOUT	
PIN	FUNCTION
A	+ EXCITATION
B	- EXCITATION
C	- SIGNAL
D	+ SIGNAL
E	N/C
TENSION UPSCALE	

2. PAINT COLOR: INTERFACE BLUE

DO NOT PAINT



DETAIL A
SCALE 2 : 5

MS3102E-14S-5P

UNLESS OTHERWISE SPECIFIED DIMENSIONS ARE IN INCHES [mm]	
TOLERANCES ARE:	
ANGLES $\pm 0^\circ 30'$	
.XX	$\pm .01$ [0.25]
.XXX	$\pm .005$ [0.13]
CREATOR	DATE
DESIGNED: JOE G.	07/02/2010
DETAILED: JAS	7/2/2010
WEIGHT: (APPROX) 104.1 (lbs)	

Interface 7418 E. HELM DRIVE
FORCE MEASUREMENT SOLUTIONS, SCOTTSDALE, AZ 85260 USA

TITLE:
**OUTLINE, MODEL
2161DQX-1000K**

SIZE: DWG. NO: **80985** REV: **B**

SCALE: 1:5 SHEET 1 OF 1