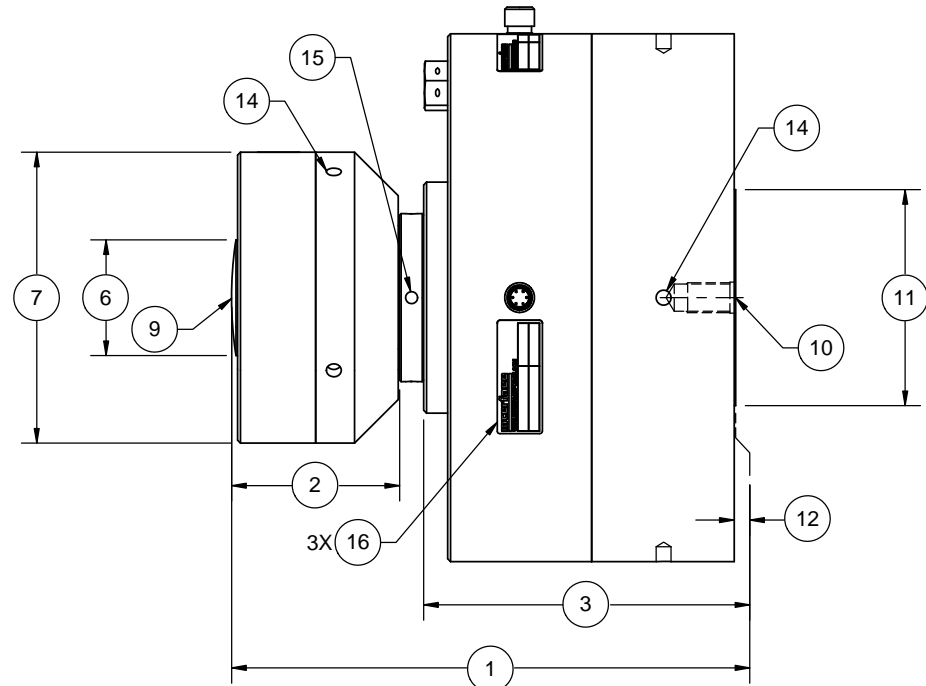
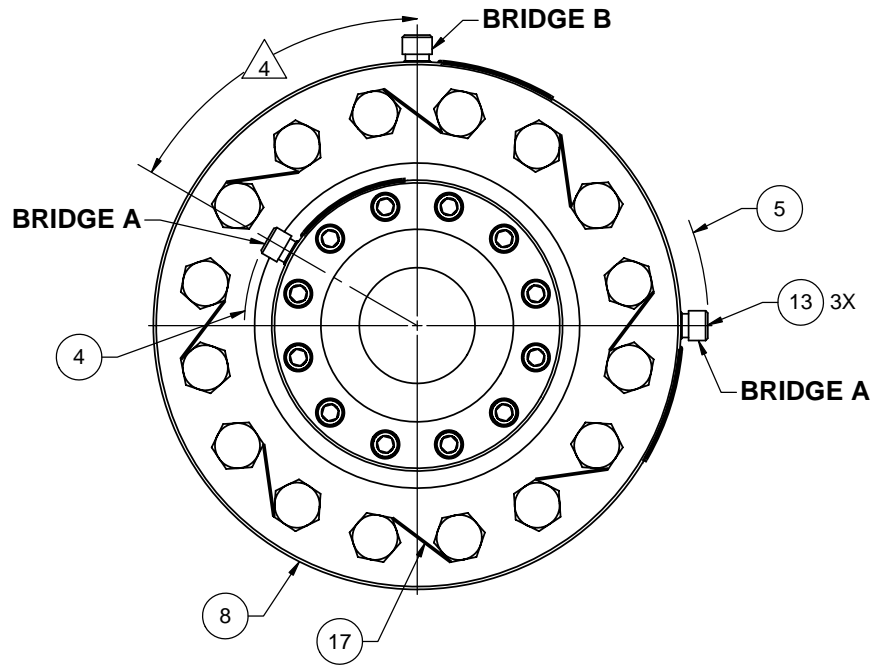


Interface Inc. claims proprietary rights in the information disclosed herein. This drawing is furnished in confidence on the express understanding that neither it nor any reproduction thereof will be disclosed to others or used for the purpose of manufacture or procurement of the article or part shown herein without written permission of Interface Inc. The drawing shall remain the property of Interface Inc. and shall be returned upon request by Interface Inc.

80765

REVISIONS

REV	DESCRIPTION	DATE	APPROVED
A	INITIAL RELEASE	01/03/08	
B	OVERALL HEIGHT WAS 12.21 ±0.15	02/28/13	7mb



FLEXURE BASE
35K ASSY

FLEXURE BASE
125K ASSY

#	LOAD CELL CHARACTERISTICS	U.S. CAPACITIES
1	CAPACITY	35K, 125K (lbf)
1	OVERALL HEIGHT	10.50 MAX (266.7 MAX)
2	35K CAPACITY LOAD CELL HEIGHT	3.50 (88.9)
3	125K CAPACITY LOAD CELL HEIGHT	6.50 (165.1)
4	35K CAPACITY ROTATIONAL CLEARANCE	R3.61 (R91.6) MIN
5	125K CAPACITY ROTATIONAL CLEARANCE	R6.07 (R154.2) MIN
6	35K FLEXURE HUB DIAMETER	Ø2.41 (Ø61.2)
7	35K CAPACITY OUTSIDE DIAMETER	Ø6.06 (Ø153.9)
8	125K CAPACITY OUTSIDE DIAMETER	Ø11.00 (Ø279.3)
9	35K FLEXURE SPHERICAL RADIUS	R8.00 (R203.2)
10	125K BASE THREAD, DEPTH & COUNTERBORE	.625-18 UNF-3B √1.00 [] Ø0.64 √0.12
11	BASE PAD DIAMETER	Ø4.50 (Ø114.3)
12	BASE PAD HEIGHT	0.03 (0.8)
13	CONNECTOR TYPE (3 PLACES)	PC04E-10-6P
14	(4) SPANNER HOLES SPACED AT 90° (2 PLACES)	Ø0.31 √0.31 (Ø7.9 √7.9)
15	(4) SPANNER HOLES SPACED AT 90°	Ø0.25 √0.38 (Ø6.4 √9.7)
16	IDENTIFICATION LABEL INCLUDING: MODEL, CAPACITY, SERIAL NUMBER & OUTPUT	
17	SAFETY WIRE	

4 ANGULAR RELATIONSHIP BETWEEN CONNECTORS NOT GUARENTEED.

3. 35K lbf LOAD CELL WITH OVERLOAD PROTECTION ATTACHED TO 125K lbf LOAD CELL.

2. DIMENSIONAL TOLERANCE: ± 0.01 (± 0.3).

1. DIMENSIONS IN INCHES (mm).

CONNECTOR PINOUT	
PIN	FUNCTION
A	+ EXCITATION
B	+ SIGNAL
C	- SIGNAL
D	- EXCITATION
E	N/ C
F	N/ C

TENSION UPSCALE

REMOVE BURRS AND SHARP EDGES .02 MAX SURFACE FINISH 63 MICROINCHES

interface
ADVANCED FORCE MEASUREMENT
7401 E. BUTHERUS DR. SCOTTSDALE, AZ USA 85260

CREATOR: DATE

DESIGNED:

DETAILED: ME 01/03/08

CAM DATA:

TITLE:
**OUTLINE MODEL:
2141DMZ-125K ASSEMBLY**

SIZE: DWG. NO: **80765** REV: **B**

SCALE: 1:4 SHEET 1 OF 1

CAD FILE <N:\180765B.SLD***>