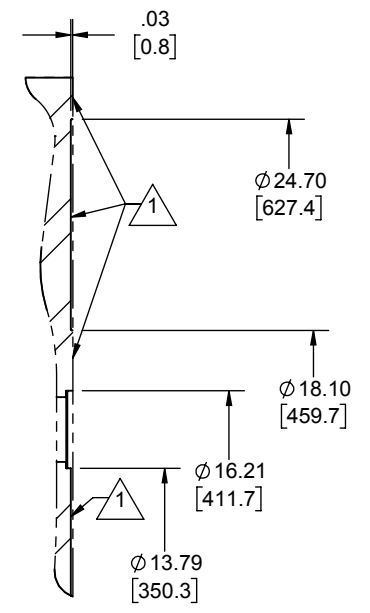
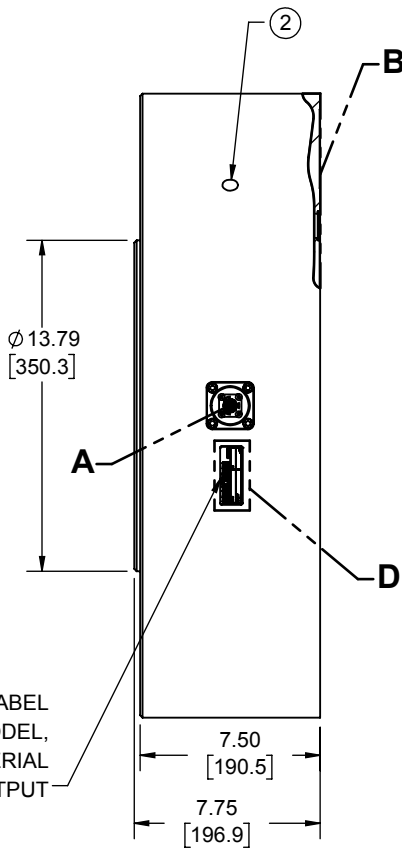
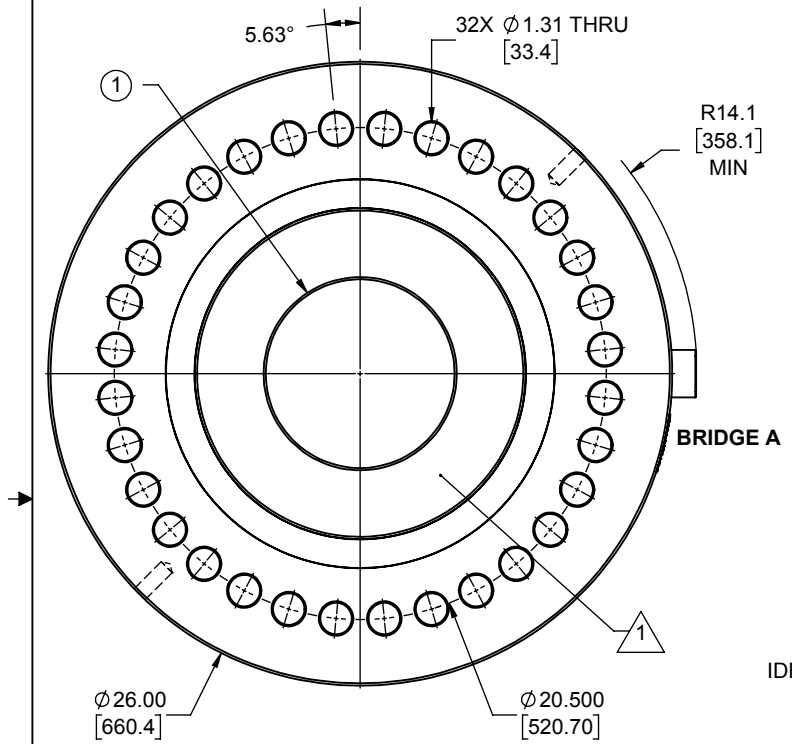


LOAD CELL CHARACTERISTICS

#	CAPACITY	US CAPACITIES	SI CAPACITIES
		1000K, 2000K (lbf)	4.5, 9.0 (MN)
1	FLEXURE THREAD, DEPTH & COUNTERBORE	8.00-8 UN-3B □ $\varnothing 8.05 \nabla 0.25$	M200 X 4-4H □ $\varnothing 201.9 \nabla 6.4$
2	2X LIFTING THREADS	.750-10 UNC-2B $\nabla .75$	M20 X 2.5-6G $\nabla 28$

Interface Inc. claims proprietary rights in the information disclosed herein. This drawing is furnished in confidence on the express understanding that neither it nor any reproduction thereof will be disclosed to others or used for the purpose of manufacture or procurement of the article or part shown herein without written permission of Interface Inc. The drawing shall remain the property of Interface Inc. and shall be returned upon request by Interface Inc.

REVISIONS			
REV.	DESCRIPTION	DATE	APPROVED
A	INITIAL RELEASE	07/05/2019	CS

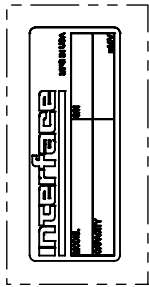


IDENTIFICATION LABEL INCLUDING: MODEL, CAPACITY, SERIAL NUMBER & OUTPUT

DETAIL B
SCALE 1 : 3

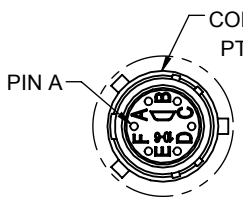
- 3. PAINT COLOR: INTERFACE BLUE
- 2. CONNECTOR POSITION FOR MULTIPLE BRIDGE LOAD CELLS ARE ORIENTED IN 90° CCW INCREMENTS.

1 NO PAINT



DETAIL D
SCALE 1 : 2

CONNECTOR PINOUT	
PIN	FUNCTION
A	+ EXCITATION
B	+ SIGNAL
C	- SIGNAL
D	- EXCITATION
E	N/C
F	N/C
TENSION UPSCALE	



DETAIL A
SCALE 1 : 1

UNLESS OTHERWISE SPECIFIED DIMENSIONS ARE IN INCHES [mm]	
TOLERANCES ARE:	
ANGLES ± 0° 30'	
.XX	± .01 [0.25]
.XXX	± .005 [0.13]
CREATOR	DATE
DESIGNED: CARLOS S.	06/27/2019
DETAILED: BRET B.	07/02/2019
WEIGHT: (APPROX) 861 (lbs)	

Interface
FORCE MEASUREMENT SOLUTIONS

7418 E. HELM DRIVE
SCOTTSDALE, AZ 85260 USA

TITLE:
OUTLINE MODEL: 1X90, C1 WIRING

SIZE: A DWG. NO: **82745** REV: **A**

SCALE: 1:8 SHEET 1 OF 1