

**LOAD CELL CHARACTERISTICS**

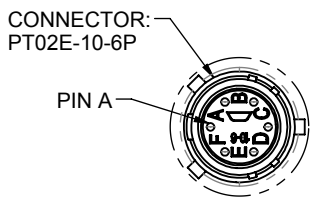
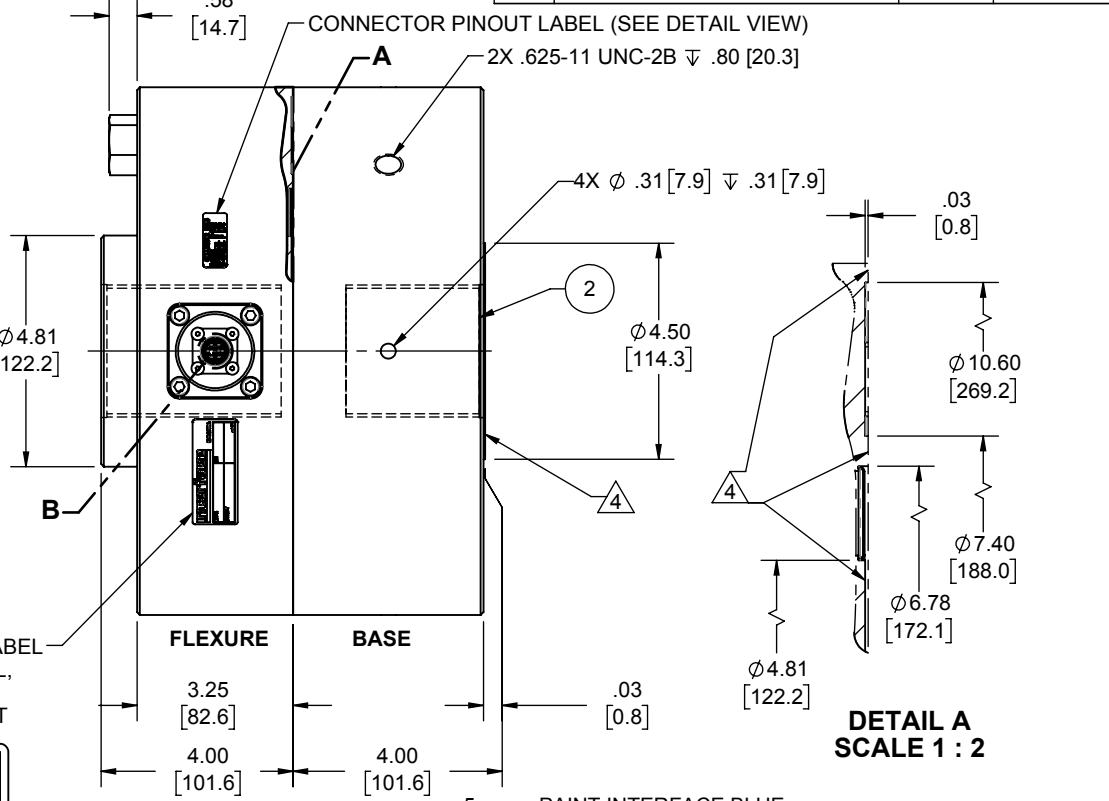
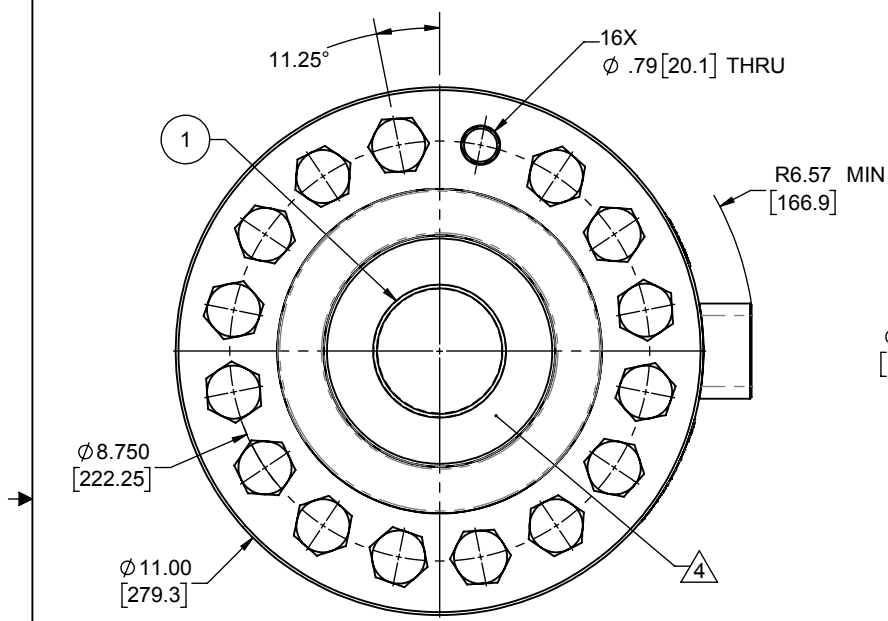
#	CAPACITY	US CAPACITIES 135K, 270K (lbf)	SI CAPACITIES 600, 1200 (kN)
1	FLEXURE THREAD, DEPTH & COUNTERBORE	2.750-8 UN-3B $\nabla$ 3.75 □ $\phi$ 2.77 $\nabla$ .12	M72 X 2-4H $\nabla$ 95.3 □ $\phi$ 72.5 $\nabla$ 3.0
2	BASE THREAD, DEPTH & COUNTERBORE	2.750-8 UN-3B $\nabla$ 2.75 □ $\phi$ 2.77 $\nabla$ .12	M72 X 2-4H $\nabla$ 69.8 □ $\phi$ 72.5 $\nabla$ 3.0

Interface Inc. claims proprietary rights in the information disclosed herein. This drawing is furnished in confidence on the express understanding that neither it nor any reproduction thereof will be disclosed to others or used for the purpose of manufacture or procurement of the article or part shown hereon without written permission of Interface Inc. The drawing shall remain the property of Interface Inc. and shall be returned upon request by Interface Inc.

**80324**

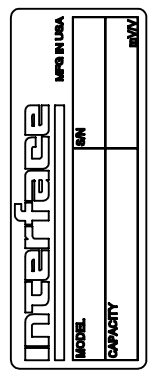
**REVISIONS**

REV.	DESCRIPTION	DATE	APPROVED
B	ADDED 1.2MN-B TO TITLE	08/05/2004	
C	$\phi$ 8.750 MOUNT BOLT CIRCLE WAS $\phi$ 9.00	03/05/2009	
D	REDRAWN, ADDED 135K & 600KN CAP, ADDED 15247-1 LABEL, CHANGED TITLE	7/12/2017	AL
E	REPLACED CONN PROT; ADDED TEDS	9/27/2017	AL
F	REMOVED C6 WIRING OPTION, ADDED NOTE 5 & WEIGHT TABLE	6/20/2019	CARLOS S.



**DETAIL B  
SCALE 1 : 1**

IDENTIFICATION LABEL INCLUDING: MODEL, CAPACITY, SERIAL NUMBER & OUTPUT



CONNECTOR PINS  
A-EXC D-EXC  
B-SIGNAL E N/C  
C-SIGNAL F N/C

PINOUT LABEL SHOWN FOR ORIENTATION ONLY (ACTUAL TEXT PER PINOUT TYPE)

5. PAINT INTERFACE BLUE.
4. NO PAINT.
3. MODELS WITH TEDS ID CHIP HAVE A "T" AT THE END OF THE MODEL NUMBER (1244CDS-270K-T)
2. CONNECTOR POSITIONS FOR MULTIPLE BRIDGE ARE AT 90° CCW INCREMENTS.
1. BASE IS OPTIONAL WHERE MODEL NUMBERS ENDING IN (-B) HAVE BASE INSTALLED.

CONNECTOR PINOUT		
PIN	4 WIRE (C1)	4 WIRE (C1 WITH TEDS OPTION)
A	+ EXCITATION	+ EXCITATION
B	+ SIGNAL	+ SIGNAL
C	- SIGNAL	- SIGNAL
D	- EXCITATION	- EXCITATION
E	N/C	TEDS DATA
F	N/C	TEDS GROUND

TENSION UPSCALE

APPROX WEIGHT (lbs)	
WITH BASE	179.45
WITHOUT BASE	67.62

UNLESS OTHERWISE SPECIFIED DIMENSIONS ARE IN INCHES [mm]  
TOLERANCES ARE:  
ANGLES ± 0° 30'  
.XX ± .01 [0.25]  
.XXX ± .005 [0.13]

CREATOR	DATE
DESIGNED: S. WERTEL	05/07/2001
DETAILED: S. WERTEL	5/7/2001
WEIGHT: (APPROX) SEE TABLE	

**Interface**  
FORCE MEASUREMENT SOLUTIONS

7418 E. HELM DRIVE  
SCOTTSDALE, AZ 85260 USA

TITLE:  
**OUTLINE MODELS:  
1044, 1244**

SIZE: A DWG. NO: **80324**

SCALE: 1:4 SHEET 1 OF 1

REV: **F**