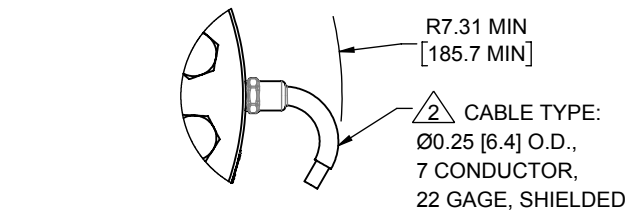
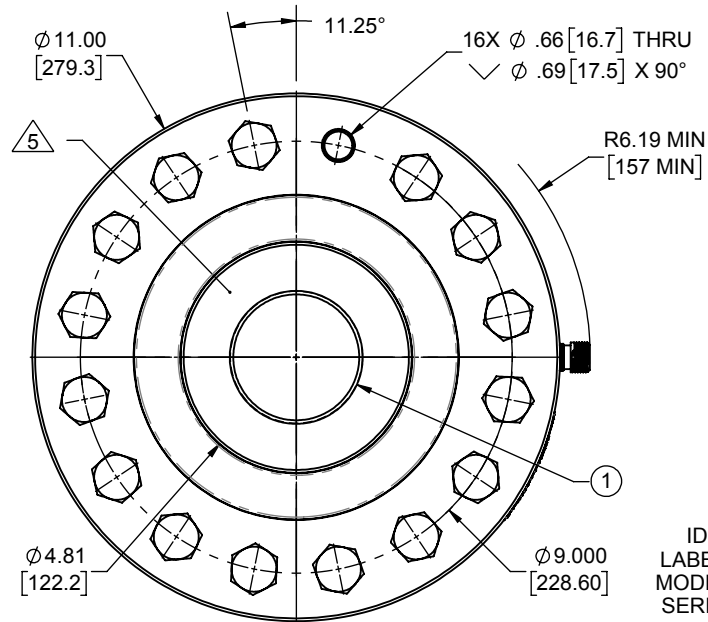


LOAD CELL CHARACTERISTICS

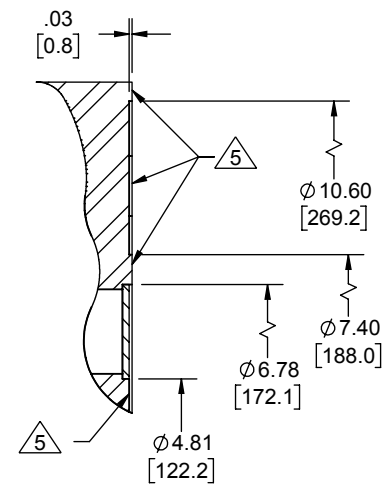
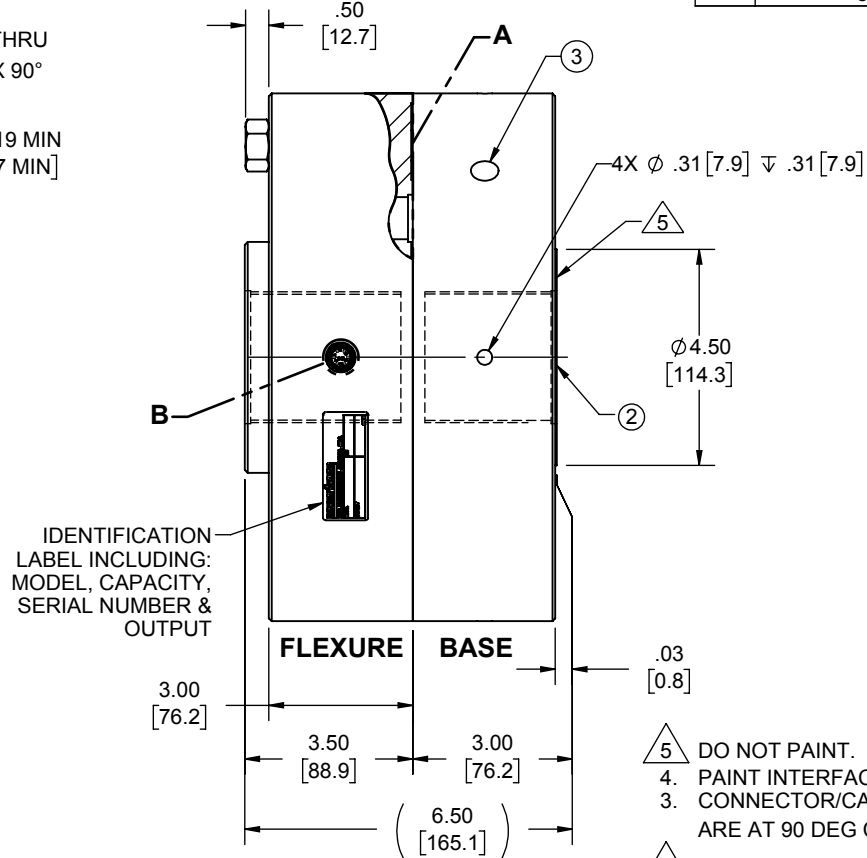
#	CAPACITY	US CAPACITIES		SI CAPACITIES	
		100K & 200K (lbf)		450 & 900 (kN)	
1	FLEXURE THREAD, DEPTH & COUNTERBORE	2.750-8 UN-3B ∇ 3.25 \square ϕ 2.77 ∇ 0.12	M72 X 2-4H ∇ 82.6 \square ϕ 72.5 ∇ 3.0		
2	BASE THREAD, DEPTH & COUNTERBORE	2.750-8 UN-3B ∇ 2.75 \square ϕ 2.77 ∇ 0.12	M72 X 2-4H ∇ 69.9 \square ϕ 72.5 ∇ 3.0		
3	LIFTING HOLES	.625-18 UNF-2B ∇ .80	M16 X 2-6H ∇ 20.3		

Interface Inc. claims proprietary rights in the information disclosed herein. This drawing is furnished in confidence on the express understanding that neither it nor any reproduction thereof will be disclosed to others or used for the purpose of manufacture or procurement of the article or part shown herein without written permission of Interface Inc. The drawing shall remain the property of Interface Inc. and shall be returned upon request by Interface Inc.

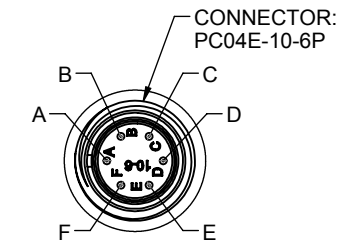
REVISIONS			
REV.	DESCRIPTION	DATE	APPROVED
B	ADDED OUTER & INNER RING SECTION	09/12/06	
C	REPLACED CONNECTOR AND INTEGRAL CABLE TABLES. REDRAWN, UPDATED TO CURRENT STANDARDS.	08/29/16	DLC
D	BASE THREAD DEPTHS: 2.75 WAS 3.25, 69.9 WAS 82.6	7/19/2017	AL
E	REMOVED C6 & TEDS WIRING OPTIONS, ADDED LIFTING HOLES TO TABLE, CHANGED NOTE 4	6/21/2019	ALBERT L.



CONNECTOR PINOUT		INTEGRAL CABLE MODELS	
PIN	4 WIRE (C1)	COLOR	FUNCTION
A	+ EXCITATION	RED	+ EXCITATION
B	+ SIGNAL	GREEN	+ SIGNAL
C	- SIGNAL	WHITE	- SIGNAL
D	- EXCITATION	BLACK	- EXCITATION
E	N/C	WHITE / RED	+ SENSE
F	N/C	WHITE / BLACK	- SENSE
		WHITE / YELLOW	SHUNT CAL
		SHIELD	N/C



DETAIL A
SCALE 1 : 2



DETAIL B
SCALE 1 : 1

- 5 DO NOT PAINT.
- 4. PAINT INTERFACE BLUE.
- 3. CONNECTOR/CABLE POSITIONS FOR MULTIPLE BRIDGE ARE AT 90 DEG CCW INCREMENTS.
- 2 STANDARD CABLE LENGTH IS 10FT (3M). NON STANDARD CABLE LENGTH PER OPTION CODE.
- 1. BASE IS OPTIONAL ON 1040 & 1240, MODEL NUMBERS ENDING IN (-B) HAVE A BASE INSTALLED.

APPROX WEIGHT (lbs)	
WITH BASE	143
WITHOUT BASE	62

UNLESS OTHERWISE SPECIFIED DIMENSIONS ARE IN INCHES [mm]	
TOLERANCES ARE:	
ANGLES	\pm 0° 30'
.XX	\pm .01 [0.25]
.XXX	\pm .005 [0.13]
CREATOR:	DATE
DESIGNED:	
DETAILED:	03/28/95
WEIGHT: (APPROX)	143 (lbs)

Interface
7418 E. HELM DRIVE
SCOTTSDALE, AZ 85260 USA

FORCE MEASUREMENT SOLUTIONS

TITLE:
OUTLINE MODEL: 1040, 1140 & 1240

SIZE: DWG. NO: **80010**

SCALE: 1:4 SHEET 1 OF 1

REV: **E**

ALL READ UPSCALE IN TENSION