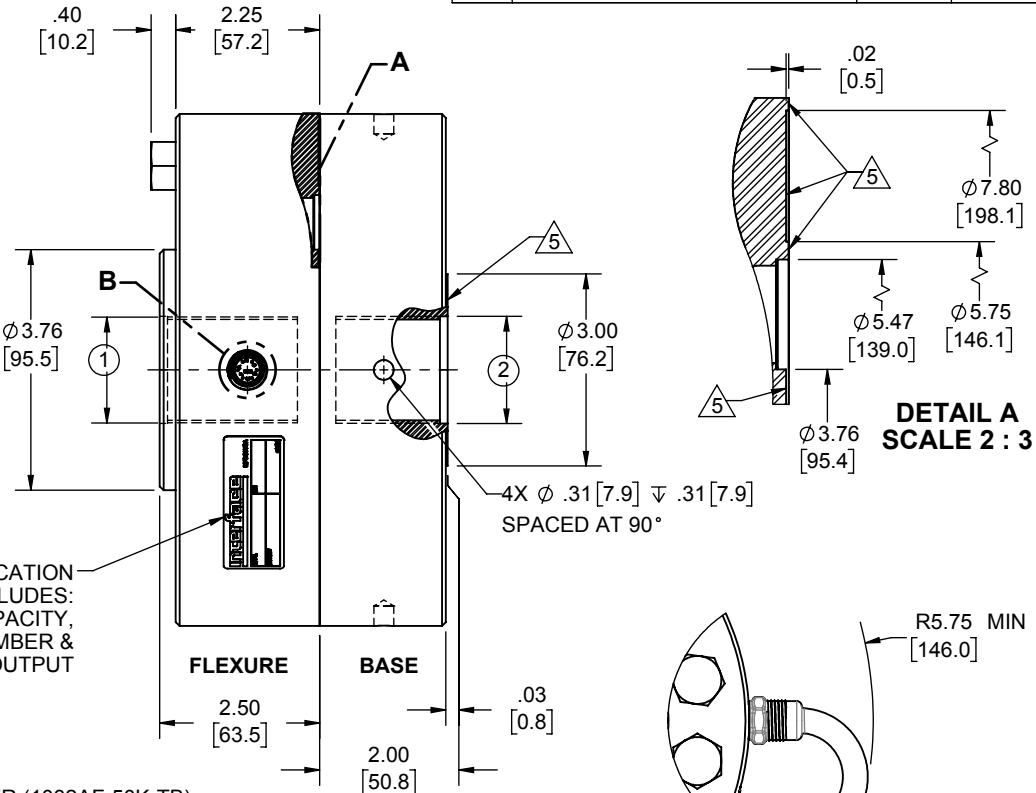
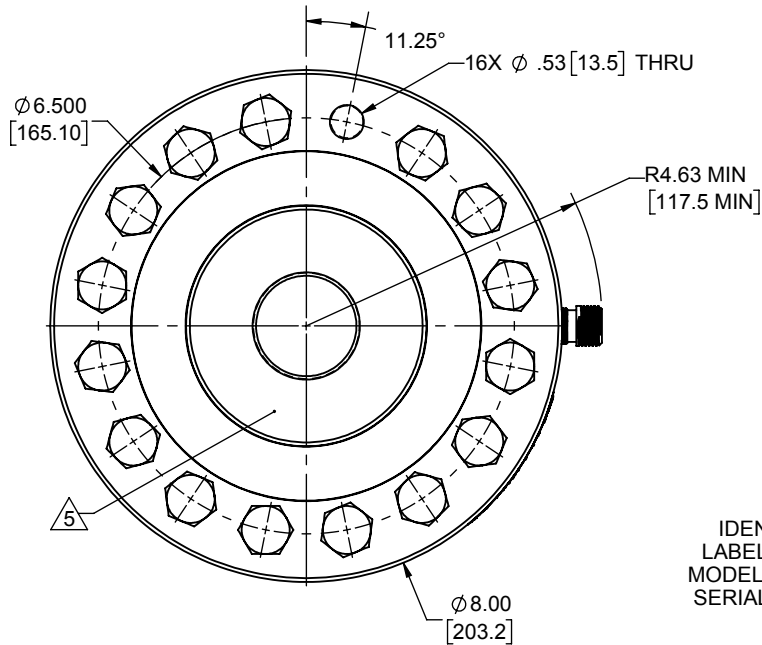


LOAD CELL CHARACTERISTICS

#	CAPACITY	US CAPACITIES 50K, 60K, 100K (lbf)	SI CAPACITIES 225, 250, 450, 500 (kN)
1	FLEXURE THREAD DEPTH & C'BORE □ $\phi 1.77 \nabla 0.12$	1.750-12 UNF-3B $\nabla 2.15$	M42 X 2-4H $\nabla 54.6$ □ $\phi 42.5 \nabla 3.0$
2	BASE THREAD DEPTH & C'BORE □ $\phi 1.77 \nabla 0.12$	1.750-12 UNF-3B $\nabla 1.75$	M42 X 2-4H $\nabla 44.5$ □ $\phi 42.5 \nabla 3.0$

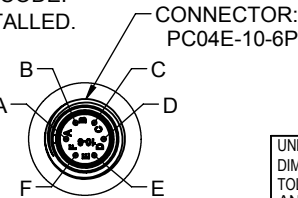
Interface Inc. claims proprietary rights in the information disclosed herein. This drawing is furnished in confidence on the express understanding that neither it nor any reproduction thereof will be disclosed to others or used for the purpose of manufacture or procurement of the article or part shown hereon without written permission of Interface Inc. The drawing shall remain the property of Interface Inc. and shall be returned upon request by Interface Inc.

REVISIONS			
REV.	DESCRIPTION	DATE	APPROVED
A	ADDED OUTER & INNER RING SECTION	09/12/06	
B	REPLACED CONNECTOR PINOUT AND INTEGRAL CABLE MODELS. REDRAWN & UPDATED TO CURRENT STANDARDS.	08/29/16	DLC
C	ADDED 60K CAPACITY	09/20/16	DLC
D	REMOVED C6 WIRING OPTION, ADDED 250 & 500KN CAPACITIES AND NOTE 6	6/13/2019	ALBERT L.



IDENTIFICATION LABEL INCLUDES: MODEL, CAPACITY, SERIAL NUMBER & OUTPUT

DETAIL A SCALE 2 : 3



DETAIL B SCALE 2 : 3

2 CABLE TYPE: $\phi 0.25$ [6.4] O.D., 7 CONDUCTOR, 22 GAGE, SHIELDED

- 6. PAINT INTERFACE BLUE.
- 5. DO NOT PAINT.
- 4. MODELS WITH TEDS ID CHIP HAVE A "T" AT THE END OF THE MODEL NUMBER (1032AF-50K-TB).
- 3. CONNECTOR/CABLE POSITIONS FOR MULTIPLE BRIDGE ARE AT 90 DEG CCW INCREMENTS.
- 2. STANDARD CABLE LENGTH IS 10FT (3M). NON STANDARD CABLE LENGTH PER OPTION CODE.
- 1. BASE IS OPTIONAL ON 1032 & 1232, MODEL NUMBERS ENDING IN (-B) HAVE A BASE INSTALLED.

CONNECTOR PINOUT		INTEGRAL CABLE MODELS	
PIN	4 WIRE (C1)	4 WIRE (C1 WITH TEDS OPTION)	FUNCTION
A	+ EXCITATION	+ EXCITATION	+ EXCITATION
B	+ SIGNAL	+ SIGNAL	+ SIGNAL
C	- SIGNAL	- SIGNAL	- SIGNAL
D	- EXCITATION	- EXCITATION	- EXCITATION
E	N/C	TEDS DATA	+ SENSE
F	N/C	TEDS GROUND	- SENSE
		WHITE / YELLOW	SHUNT CAL
		SHIELD	N/C

ALL READ UPSCALE IN TENSION

UNLESS OTHERWISE SPECIFIED DIMENSIONS ARE IN INCHES [mm]	
TOLERANCES ARE:	
ANGLES $\pm 0^{\circ} 30'$	
.XX	$\pm .01$ [0.25]
.XXX	$\pm .005$ [0.13]
CREATOR:	DATE
DESIGNED:	
DETAILED: BKS	3/28/1995
WEIGHT: (APPROX) SEE TABLE	

APPROX WEIGHT (lbs)	
WITH BASE	53
WITHOUT BASE	24

Interface 7418 E. HELM DRIVE
FORCE MEASUREMENT SOLUTIONS, SCOTTSDALE, AZ 85260 USA

TITLE: **OUTLINE MODEL: 1032, 1132 & 1232**

SIZE: DWG. NO: **80008** REV: **D**

SCALE: 1:3 SHEET 1 OF 1