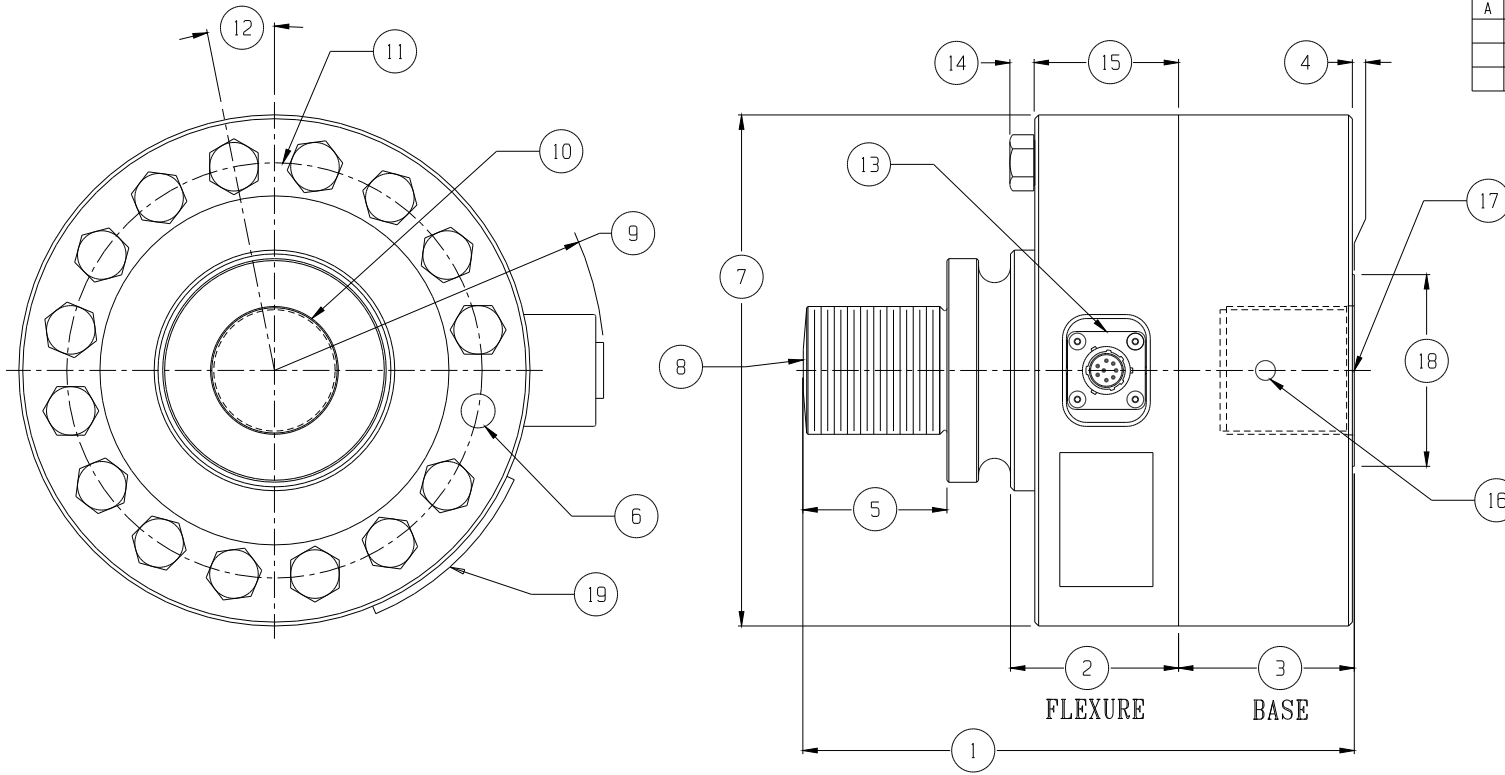


REVISIONS			
REV	DESCRIPTION	DATE	APPROVED
A	INITIAL RELEASE	04-06-06	



CONNECTOR PINOUT	
PIN	FUNCTION
A	+ EXCITATION
B	+ SIGNAL
C	- SIGNAL
D	- EXCITATION
E	- SENSE
F	+ SENSE
G	REAL (- SIGNAL)
H	REAL (+ SIGNAL)

ALL READ UPSCALE IN TENSION

LOAD CELL CHARACTERISTICS		U.S. CAPACITY
#	CAPACITY	60K (1bf)
1	OVERALL HEIGHT	8.63 (219.2)
2	HUB SURFACE TO MOUNTING SURFACE	3.63 (92.9)
3	BASE HEIGHT	2.75 (69.7)
4	BASE PAD HEIGHT	0.03 (0.8)
5	INTEGRAL THREAD LENGTH	2.25 (57.2)
6	MOUNTING BOLT THRU HOLE DIAMETER	0.53 (13.5)
7	OUTSIDE DIAMETER	8.00 (203.2)
8	SPHERICAL RADIUS	8.00 (203.2)
9	ROTATIONAL CLEARANCE (CONNECTOR)	5.25 (133.4)
10	INTEGRAL FLEXURE THREAD	2.000-12 UNF-3A
11	MOUNTING BOLT CIRCLE	6.50 (165.1)
12	MOUNTING BOLT OFFSET ANGLE	11.25°
13	CONNECTOR TYPE	PT02E-12-8P
14	BOLT HEAD HEIGHT	0.39 (9.9)
15	BOLT SURFACE TO MOUNTING SURFACE	2.25 (57.2)
16	(4) SPANNER HOLES SPACED @ 90°	∅ 0.31 X 0.31 DEEP (∅ 7.9 X 7.9 DEEP)
17	BASE COUNTERBORE & THREAD DEPTH	C'BORE ∅2.020 X 0.12 DEEP, 2.000-12 UNF-3B X 2.02 DEEP
18	BASE PAD DIAMETER	3.25 (82.55)
19	IDENTIFICATION LABEL INCLUDING: MODEL, CAPACITY, SERIAL NUMBER & OUTPUT	

2. DIMENSIONAL TOLERANCE: ± 0.01 (± 0.3)

1. DIMENSIONS IN INCHES & (MM)

Interface, Inc.
7401 E. BUTHERUS DR. SCOTTSDALE, ARIZONA 85260

TITLE: OUTLINE MODEL: 1830DCX-60K 2.000-12 INTEGRAL THREAD	DWG NO.: 80614
SIZE: C	DRAWN BY: JEP
DATE: 04-04-06	REV: A
SCALE: 1:1.5	APPROVED BY:
SHEET 1 OF 1	

Interface Inc. claims propriety rights in the information disclosed herein. This drawing is furnished in confidence on the express understanding that neither it nor any reproduction thereof will be disclosed to others or used for the purpose of manufacture or procurement of the article or part shown hereon without written permission of Interface Inc. The drawing shall remain Interface's property and shall be returned on Interface's request.