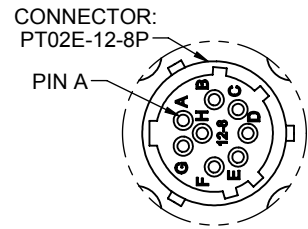
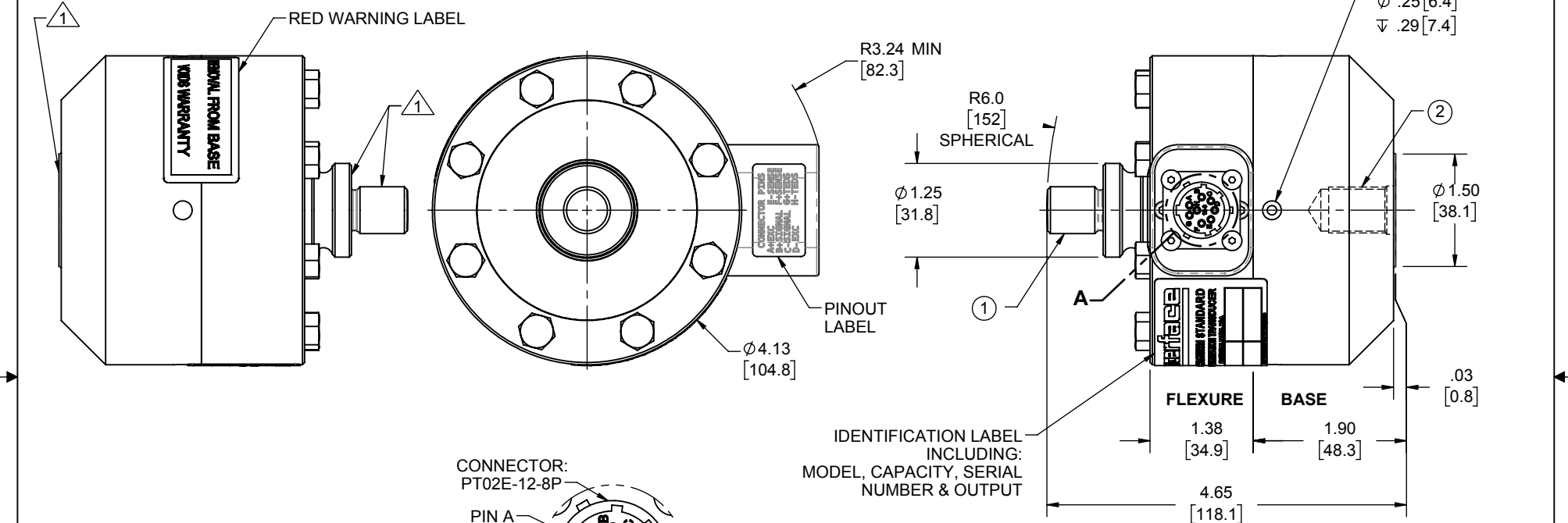


**LOAD CELL CHARACTERISTICS**

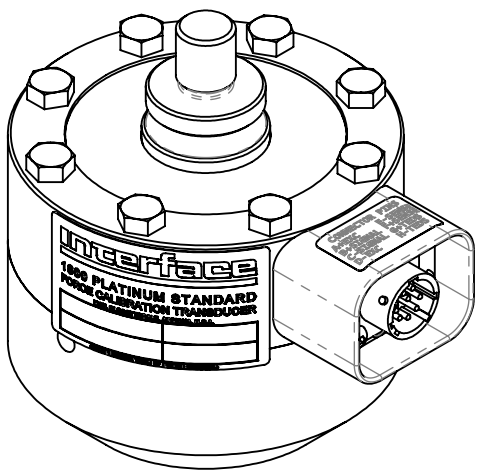
#	CAPACITY	US CAPACITIES	SI CAPACITIES
		1.1K, 2.2K, 3.3K, 5.5K (lbf)	5, 10, 15, 25 (kN)
1	FLEXURE THREAD AND LENGTH	.625-18 UNF-3A X 0.75 LONG	M16 X 2-4h X 19.1 LONG
2	BASE THREAD, DEPTH & COUNTERBORE	.625-18 UNF-3B $\nabla$ 0.75 $\square$ $\phi$ .65 $\nabla$ 0.12	M16 X 2-4H $\nabla$ 19.1 $\square$ $\phi$ 16.5 $\nabla$ 3.0

Interface Inc. claims proprietary rights in the information disclosed herein. This drawing is furnished in confidence on the express understanding that neither it nor any reproduction thereof will be disclosed to others or used for the purpose of manufacture or procurement of the article or part shown herein without written permission of Interface Inc. The drawing shall remain the property of Interface Inc. and shall be returned upon request by Interface Inc.

REVISIONS			
REV.	DESCRIPTION	DATE	APPROVED
A	INITIAL RELEASE	05/14/04	
B	REDRAWN & UPDATED TO CURRENT STANDARDS	09/01/16	DLC
C	ADDED TEDS CONN PINOUT	9/20/2017	AL



**DETAIL A  
SCALE 1 : 1**



CONNECTOR PINOUT		CONN PINOUT W/TEDS
PIN	FUNCTION	FUNCTION
A	+ EXCITATION	+ EXCITATION
B	+ SIGNAL	+ SIGNAL
C	- SIGNAL	- SIGNAL
D	- EXCITATION	- EXCITATION
E	- SENSE	- SENSE
F	+ SENSE	+ SENSE
G	- RCAL	TEDS DATA
H	+ RCAL	TEDS GND

TENSION UPSCALE

2. MODELS WITH TEDS ID CHIP HAVE A "T" AT THE END OF THE MODEL NUMBER (1810CJY-5.5K-T)

1 DO NOT PAINT.

UNLESS OTHERWISE SPECIFIED  
DIMENSIONS ARE IN INCHES [mm]  
TOLERANCES ARE:  
ANGLES  $\pm$  0° 30'  
.XX  $\pm$  .01 [0.25]  
.XXX  $\pm$  .005 [0.13]

CREATOR	DATE
DESIGNED:	
DETAILED: JEP	05/13/2004
WEIGHT: (APPROX) 11 (lbs)	

**interface**  
ADVANCED FORCE MEASUREMENT  
7401 E. BUTHERUS DR. SCOTTSDALE, AZ USA 85260

TITLE:  
**OUTLINE MODEL:  
1810CJY**

SIZE: DWG. NO: **80491**

SCALE: 1:2 SHEET 1 OF 1

REV: **C**