

LOAD CELL CHARACTERISTICS

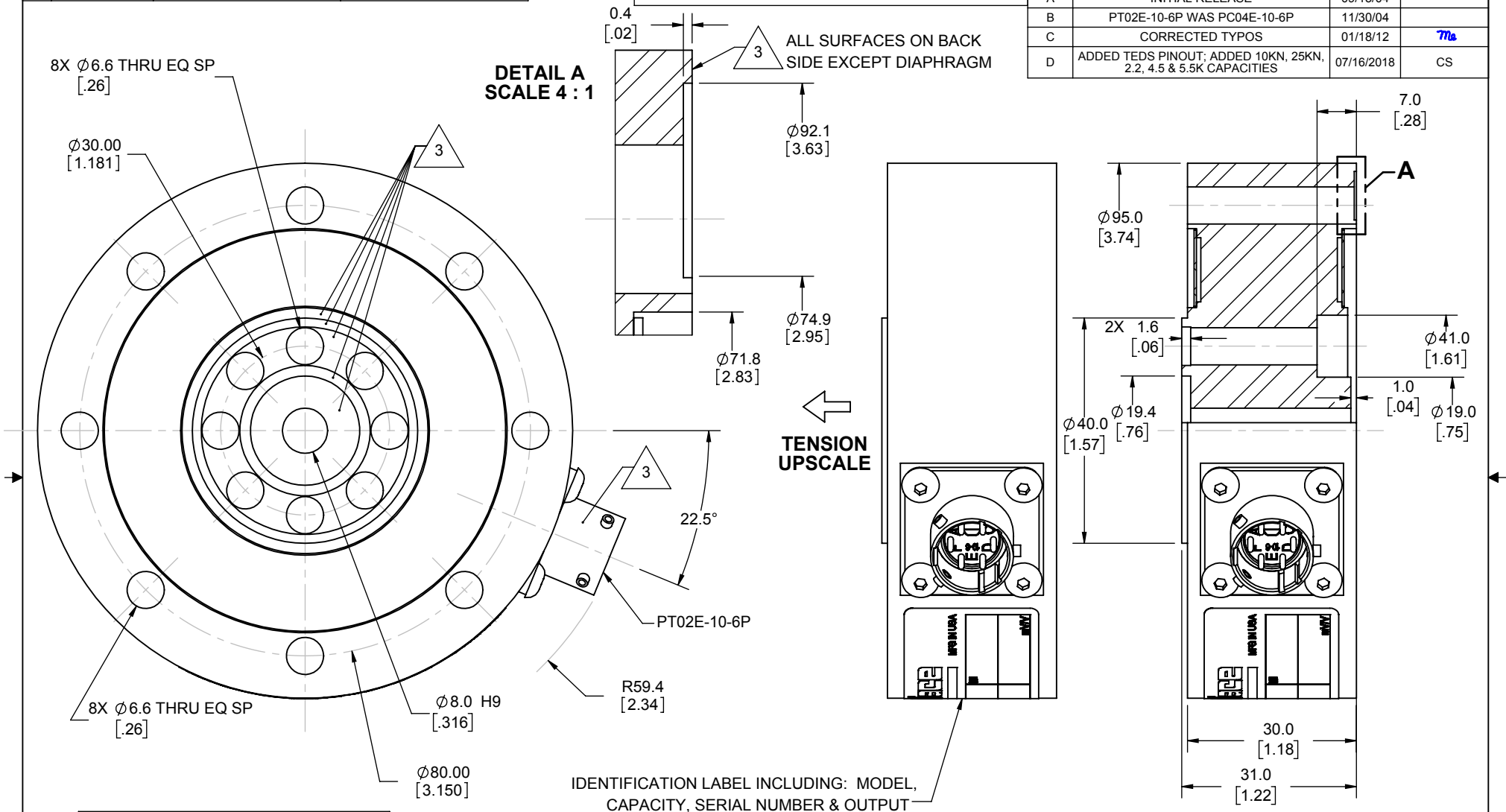
#	CAPACITY	US CAPACITIES	SI CAPACITIES
		2.2K, 4.5K, 5.5K (lbf)	10, 20, 25 (kN)

Interface Inc. claims proprietary rights in the information disclosed herein. This drawing is furnished in confidence on the express understanding that neither it nor any reproduction thereof will be disclosed to others or used for the purpose of manufacture or procurement of the article or part shown herein without written permission of Interface Inc. The drawing shall remain the property of Interface Inc. and shall be returned upon request by Interface Inc.

80489

REVISIONS

REV.	DESCRIPTION	DATE	APPROVED
A	INITIAL RELEASE	09/15/04	
B	PT02E-10-6P WAS PC04E-10-6P	11/30/04	
C	CORRECTED TYPOS	01/18/12	<i>ml</i>
D	ADDED TEDS PINOUT: ADDED 10KN, 25KN, 2.2, 4.5 & 5.5K CAPACITIES	07/16/2018	CS



CONNECTOR PINOUT		
PIN	WITHOUT TEDS	WITH TEDS
	FUNCTION	
A	+ EXCITATION	+ EXCITATION
B	+ SIGNAL	+ SIGNAL
C	- SIGNAL	- SIGNAL
D	- EXCITATION	- EXCITATION
E	- SENSE	TEDS DATA
F	+ SENSE	TEDS GND
TENSION UPSCALE		

- 3 DO NOT PAINT
- 2. DIMENSIONAL TOLERANCE: ± 0.3 (± 0.01).
- 1. DIMENSIONS IN mm (INCHES).

UNLESS OTHERWISE SPECIFIED
DIMENSIONS ARE IN INCHES [mm]
TOLERANCES ARE:
ANGLES ± 0° 30'
.XX ± .01 [0.25]
.XXX ± .005 [0.13]

CREATOR DATE
DESIGNED: LARRY B. 05/11/2004
DETAILED: J.E.P. 5/11/2004
WEIGHT: (APPROX) 3.0 (lbs)

interface 7401 E. BUTHERUS DR. SCOTTSDALE, AZ 85260 USA

FOR OF MEASUREMENT SOLUTIONS

TITLE:
**OUTLINE MODEL:
1720 OPT-ACK**

SIZE: DWG. NO: **80489** REV: **D**

SCALE: 1:1 SHEET 1 OF 1