

**LOAD CELL CHARACTERISTICS**

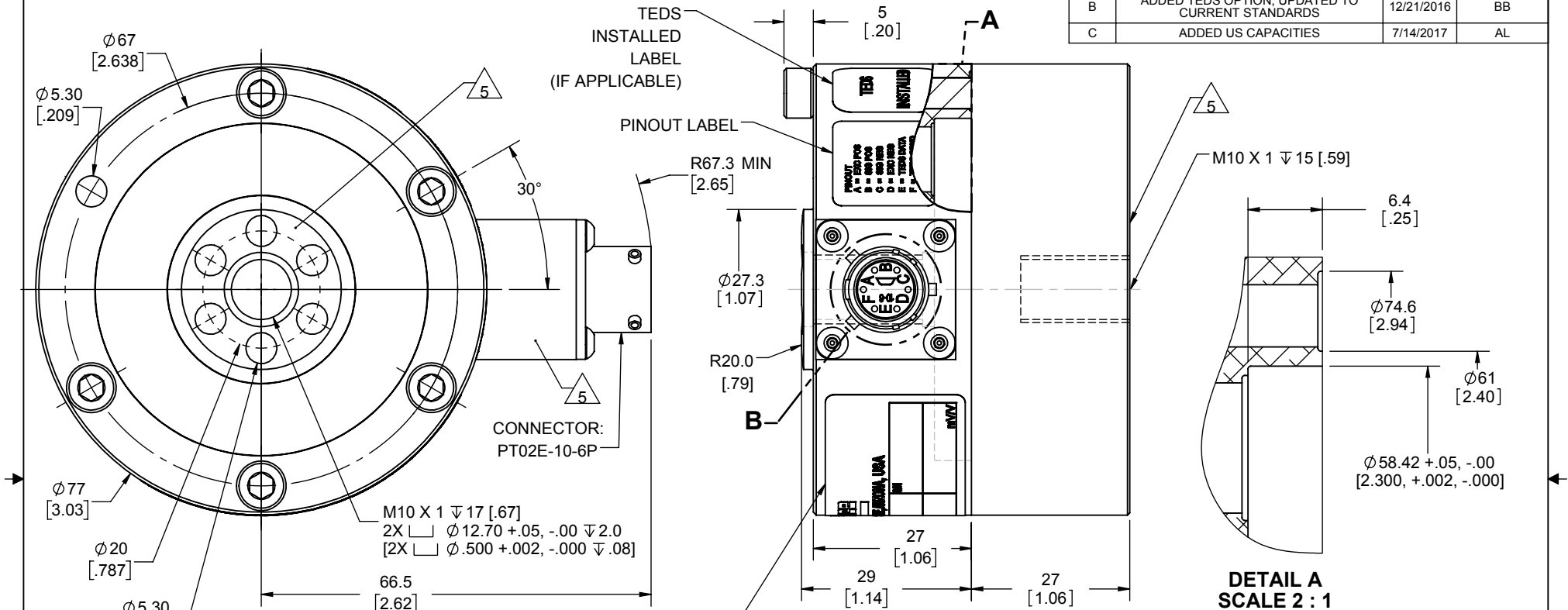
#	CAPACITY	US CAPACITIES	SI CAPACITIES
		220, 550, 1.1K, 1.4K (lbf)	1kN, 2.5kN, 5kN

Interface Inc. claims proprietary rights in the information disclosed herein. This drawing is furnished in confidence on the express understanding that neither it nor any reproduction thereof will be disclosed to others or used for the purpose of manufacture or procurement of the article or part shown hereon without written permission of Interface Inc. The drawing shall remain the property of Interface Inc. and shall be returned upon request by Interface Inc.

**81267**

**REVISIONS**

REV.	DESCRIPTION	DATE	APPROVED
A	INITIAL RELEASE	05/20/13	Me
B	ADDED TEDS OPTION; UPDATED TO CURRENT STANDARDS	12/21/2016	BB
C	ADDED US CAPACITIES	7/14/2017	AL



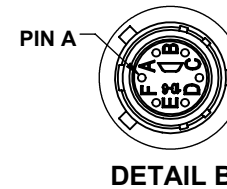
IDENTIFICATION LABEL INCLUDING: MODEL, SERIAL NUMBER, CAPACITY & OUTPUT

**FLEXURE      BASE**

**DETAIL A  
SCALE 2 : 1**

CONNECTOR PINOUT		
PIN	6 WIRE (C6)	4 WIRE (C1 W/ TEDS)
A	+ EXCITATION	+ EXCITATION
B	+ SIGNAL	+ SIGNAL
C	- SIGNAL	- SIGNAL
D	- EXCITATION	- EXCITATION
E	- SENSE	TEDS DATA
F	+ SENSE	TEDS GROUND

TENSION UPSCALE



**DETAIL B**

△ NO PAINT

1. DIMENSIONS IN mm (INCHES).
2. DIMENSIONAL TOLERANCE: ± 0.3 (± 0.01).
3. BASE IS OPTIONAL. MODEL NUMBERS ENDING IN (-B) HAVE A BASE INSTALLED.
4. MODELS WITH TEDS ID CHIP HAVE A "T" AT THE END OF THE MODEL NUMBER (1710-5KN-TB)

UNLESS OTHERWISE SPECIFIED DIMENSIONS ARE IN INCHES [mm]  
TOLERANCES ARE:  
ANGLES ± 0° 30'  
.XX ± .01 [0.25]  
.XXX ± .005 [0.13]

CREATOR	DATE
DESIGNED: RLP	05/02/13
DETAILED: RLP	05/03/2013
WEIGHT: (APPROX)	1.34 (lbs)

**interface** 7401 E. BUTHRUS DR.  
FOR OF MEASUREMENT SOLUTIONS SCOTTSDALE, AZ 85260 USA

TITLE:  
**OUTLINE MODEL:  
1710 w/ PT02E-10-6P CONN**

SIZE: DWG. NO: **81267** REV: **C**

SCALE: 1:1 SHEET 1 OF 1