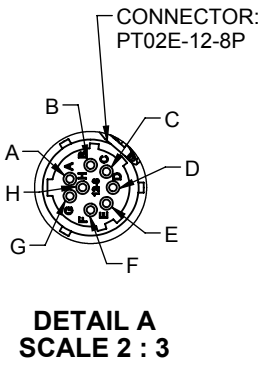
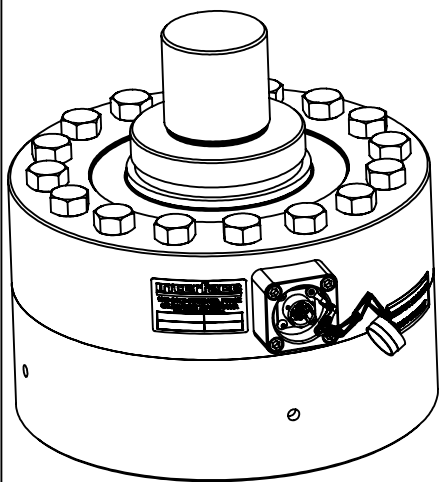
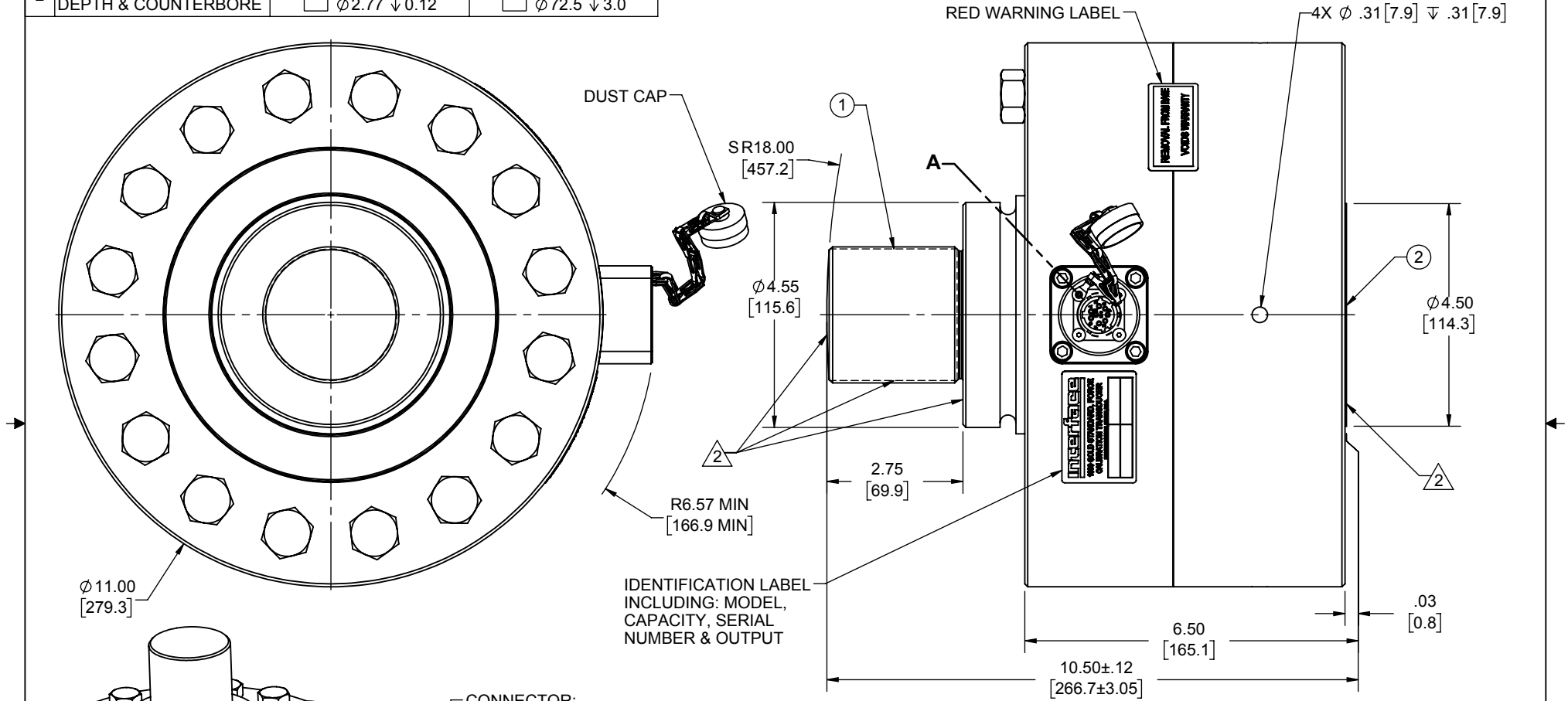


LOAD CELL CHARACTERISTICS

#	CAPACITY	US CAPACITIES 200K (lbf)	SI CAPACITIES 900 (kN)
1	FLEXURE INTEGRAL THREAD	2.750-8 UN-3A	M72 X 2-4H
2	BASE THREAD, DEPTH & COUNTERBORE	2.750-8 UN-3B ∇ 2.75 \sqcup ϕ 2.77 ∇ 0.12	M72 X 2-4H ∇ 69.8 \sqcup ϕ 72.5 ∇ 3.0

Interface Inc. claims proprietary rights in the information disclosed herein. This drawing is furnished in confidence on the express understanding that neither it nor any reproduction thereof will be disclosed to others or used for the purpose of manufacture or procurement of the article or part shown herein without written permission of Interface Inc. The drawing shall remain the property of Interface Inc. and shall be returned upon request by Interface Inc.

REVISIONS			
REV.	DESCRIPTION	DATE	APPROVED
A	INITIAL RELEASE	11/20/2018	ALBERT L.
B	ADDED TEDS TO PINOUT TABLE	03/21/2019	AL



**DETAIL A
SCALE 2 : 3**

CONNECTOR PINOUT		
PIN	8 WIRE (C2)	8 WIRE (C2 WITH TEDS OPTION)
A	+ EXCITATION	+ EXCITATION
B	+ SIGNAL	+ SIGNAL
C	- SIGNAL	- SIGNAL
D	- EXCITATION	- EXCITATION
E	- SENSE	- SENSE
F	+ SENSE	+ SENSE
G	- RCAL	TEDS DATA
H	+ RCAL	TEDS GROUND

ALL READ UPSCALE IN TENSION

∇ 1. DO NOT PAINT. PAINT INTERFACE BLUE.

UNLESS OTHERWISE SPECIFIED DIMENSIONS ARE IN INCHES [mm]
TOLERANCES ARE:
ANGLES \pm 0° 30'
.XX \pm .01 [0.25]
.XXX \pm .005 [0.13]

CREATOR	DATE
DESIGNED: ALBERT L.	11/15/18
DETAILED: DAVID C.	11/16/18
WEIGHT: (APPROX) 169.97 (lbs)	

Interface 7418 E. HELM DRIVE
FORCE MEASUREMENT SOLUTIONS, SCOTTSDALE, AZ 85260 USA

TITLE:
**OUTLINE MODEL: 1640
W/CONN PROT**

SIZE: A	DWG. NO: 82572	REV: B
SCALE: 1:3	SHEET 1 OF 1	