

LOAD CELL CHARACTERISTICS

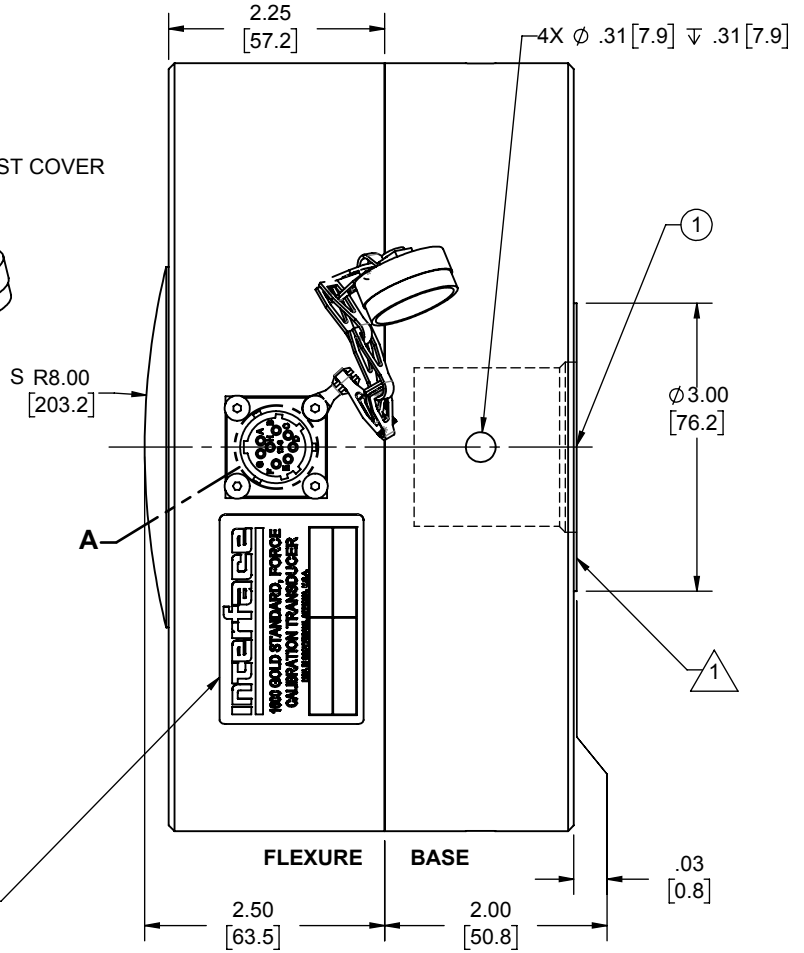
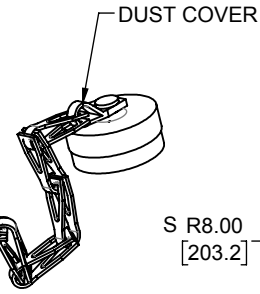
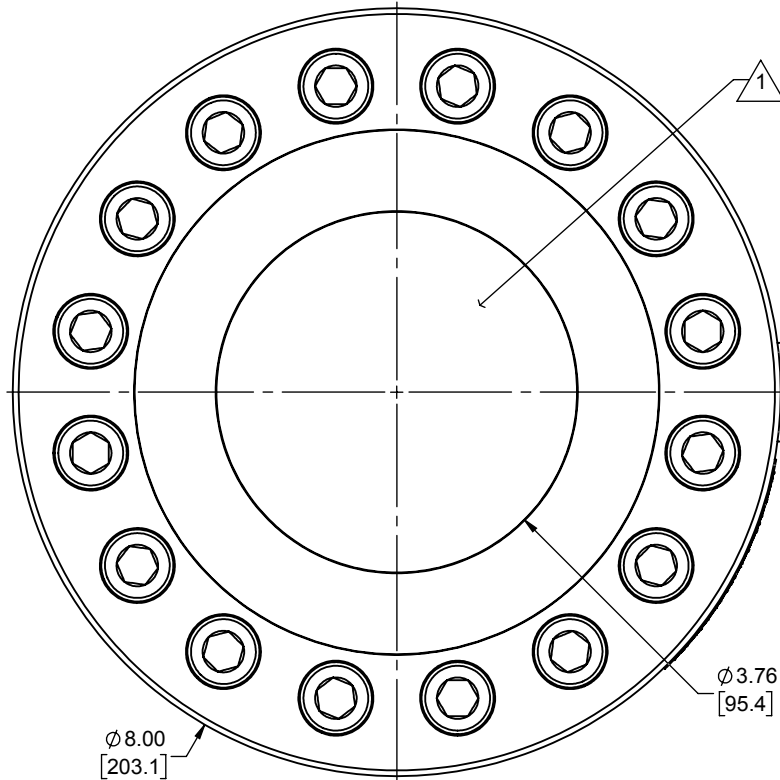
#	CAPACITY	US CAPACITIES 100K (lbf)	SI CAPACITIES 450 kN
①	BASE THREAD & C'BORE	1.750-12 UNF-3B ∇ 1.75 \square ϕ 1.77 ∇ .12	M42 X 2-4H ∇ 1.75[44.5] \square ϕ 1.68[42.7] ∇ .12[3]

Interface Inc. claims proprietary rights in the information disclosed herein. This drawing is furnished in confidence on the express understanding that neither it nor any reproduction thereof will be disclosed to others or used for the purpose of manufacture or procurement of the article or part shown herein without written permission of Interface Inc. The drawing shall remain the property of Interface Inc. and shall be returned upon request by Interface Inc.

80050

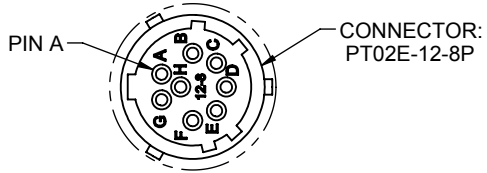
REVISIONS

REV.	DESCRIPTION	DATE	APPROVED
A	INITIAL RELEASE	6/24/98	
B	#2, 2.25 (57.2) WAS 2.50 (63.5)	1/03/07	
C	MOUNTING BOLTS SHCS WAS HHCS	2/15/07	
D	REDRAWN & UPDATED TO CURRENT STDS; ADD METRIC CAPACITY 450 kN	9/11/2017	AL



CONNECTOR PINOUT	
PIN	FUNCTION
A	+ EXCITATION
B	+ SIGNAL
C	- SIGNAL
D	- EXCITATION
E	- SENSE
F	+ SENSE
G	RCAL (-SIGNAL)
H	IDENT R (+ SIGNAL)
COMPRESSION DOWNSCALE	

IDENTIFICATION LABEL INCLUDING: MODEL, CAPACITY, SERIAL NUMBER & OUTPUT



**DETAIL A
SCALE 1 : 1**

UNLESS OTHERWISE SPECIFIED
DIMENSIONS ARE IN INCHES [mm]
TOLERANCES ARE:
ANGLES \pm 0° 30'
.XX \pm .01 [0.25]
.XXX \pm .005 [0.13]

CREATOR: DATE:
DESIGNED:

DETAILED: JEP 6/23/1998
WEIGHT: (APPROX) 53.7 (lbs)

Interface 7401 E. BUTHERUS DR.
FORGE MEASUREMENT SOLUTIONS SCOTTSDALE, AZ 85260 USA

TITLE:
OUTLINE MODEL: 1633

SIZE: DWG. NO: **80050** REV: **D**

SCALE: 1:2 SHEET 1 OF 1

∇ NO PAINT