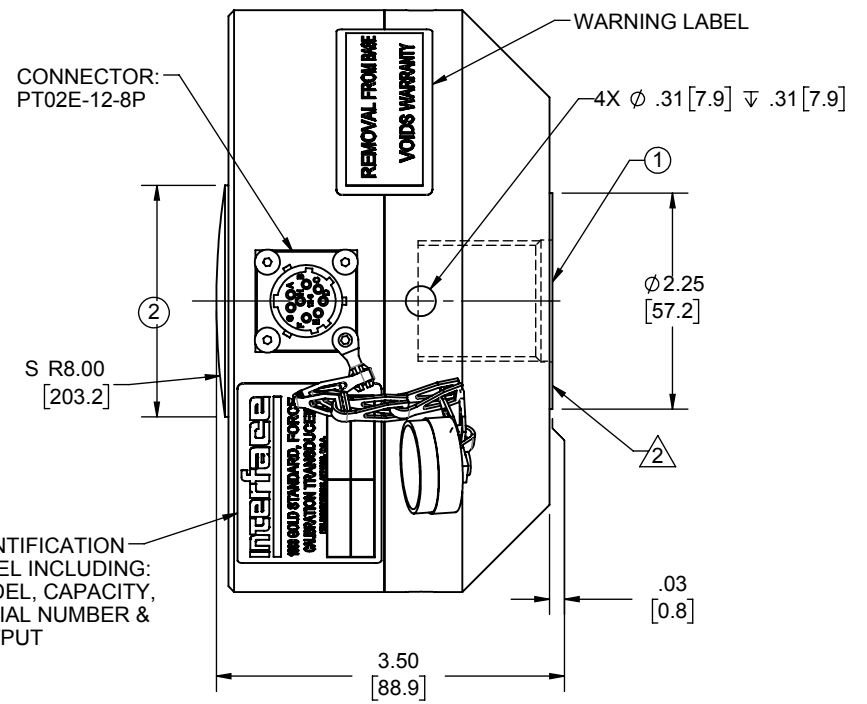
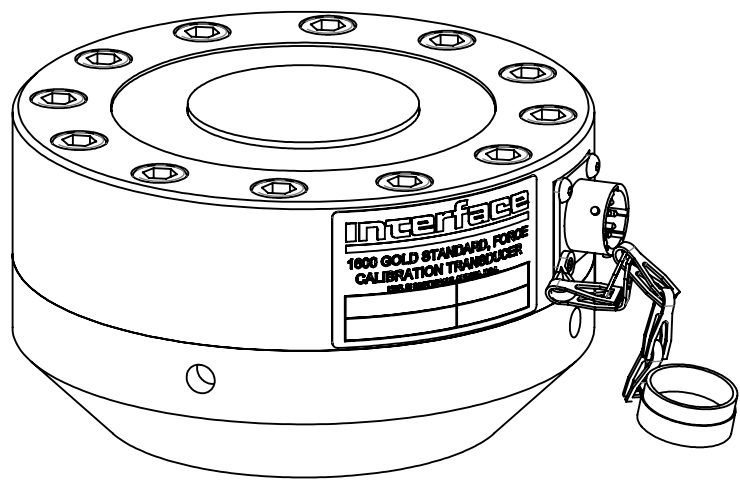
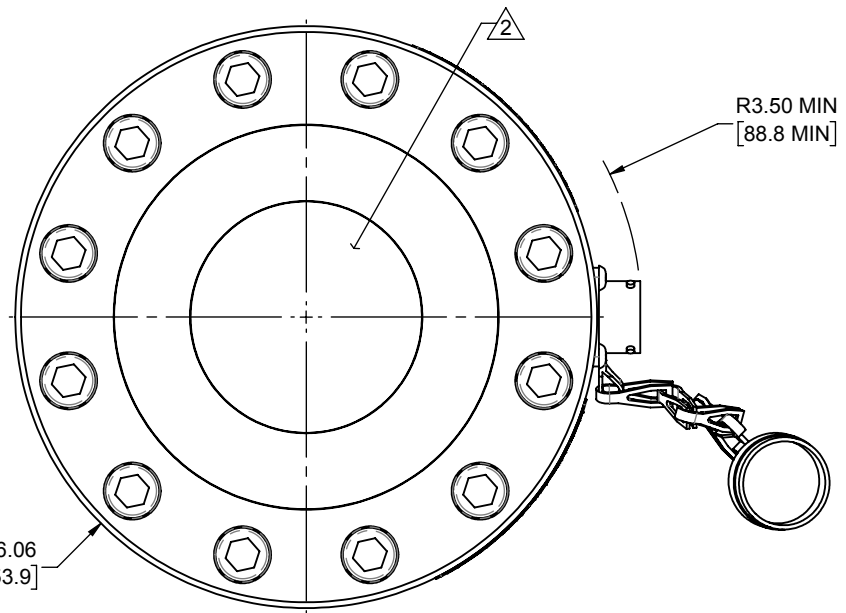


**LOAD CELL CHARACTERISTICS**

#	CAPACITY	US CAPACITIES		SI CAPACITIES	
		25K (lbf)	50K (lbf)	110 (kN)	225 (kN)
1	BASE THREAD, DEPTH & COUNTERBORE	1.25-12 UN-3B $\nabla$ 1.40 $\square$ $\phi$ 1.27 $\nabla$ 0.12		M33 X 2-4H $\nabla$ 35.6 $\square$ $\phi$ 33.5 $\nabla$ 3.05	
2	HUB SURFACE DIAMETER	2.41	2.65	61.2	67.3

Interface Inc. claims proprietary rights in the information disclosed herein. This drawing is furnished in confidence on the express understanding that neither it nor any reproduction thereof will be disclosed to others or used for the purpose of manufacture or procurement of the article or part shown hereon without written permission of Interface Inc. The drawing shall remain the property of Interface Inc. and shall be returned upon request by Interface Inc.

REVISIONS			
REV.	DESCRIPTION	DATE	APPROVED
A	INITIAL RELEASE	06/24/98	
B	REDRAWN, UPDATED TO CURRENT STD'S, ADDED S.I. CAPACITY, WARNING LABEL & TEDS NOTE & PINOUT	05/02/16	DLC
C	ADDED NOTE 2, BASE THREAD DEPTH: "US" 1.40 WAS 1.27, "SI" 35.6 WAS 33.5, CORRECTED BALLON CALLOUTS	8/7/2017	AL



IDENTIFICATION LABEL INCLUDING: MODEL, CAPACITY, SERIAL NUMBER & OUTPUT

- 2** DO NOT PAINT.  
1. MODELS WITH TEDS ID CHIP HAVE A "T" AT THE END OF THE MODEL NUMBER (1621AJH-25K-T).

CONNECTOR PINOUT		
PIN	FUNCTION	FUNCTION W/TEDS
A	+ EXCITATION	+ EXCITATION
B	+ SIGNAL	+ SIGNAL
C	- SIGNAL	- SIGNAL
D	- EXCITATION	- EXCITATION
E	- SENSE	- SENSE
F	+ SENSE	+ SENSE
G	RCAL (-SIGNAL)	TEDS DATA
H	IDENT R (+ SIGNAL)	TEDS GROUND

READ DOWNSCALE IN COMPRESSION

UNLESS OTHERWISE SPECIFIED DIMENSIONS ARE IN INCHES [mm]  
TOLERANCES ARE:  
ANGLES  $\pm$  0° 30'  
.XX  $\pm$  .01 [0.25]  
.XXX  $\pm$  .005 [0.13]  
CREATOR: JEP  
DATE: 06/23/1998  
DESIGNED:  
DETAILED: JEP  
WEIGHT: (APPROX) 22 (lbs)

**Interface** 7401 E. BUTHERUS DR. SCOTTSDALE, AZ 85260 USA  
FOR OF MEASUREMENT SOLUTIONS  
TITLE: **OUTLINE MODEL: 1621**  
SIZE: **A** DWG. NO: **80049** REV: **C**  
SCALE: 1:2 SHEET 1 OF 1