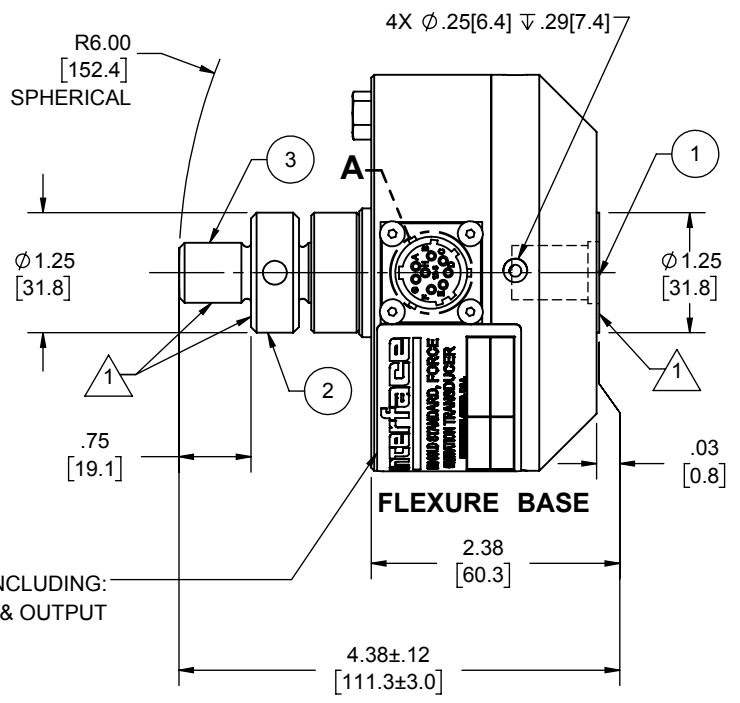
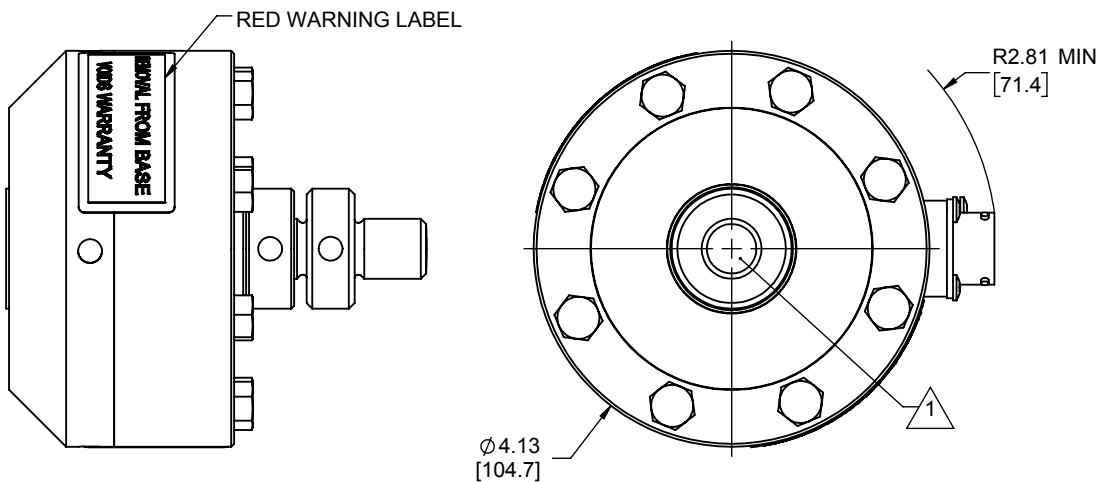


LOAD CELL CHARACTERISTICS

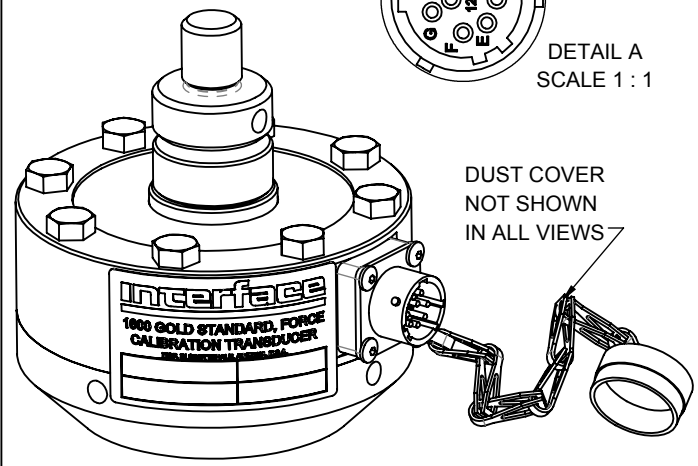
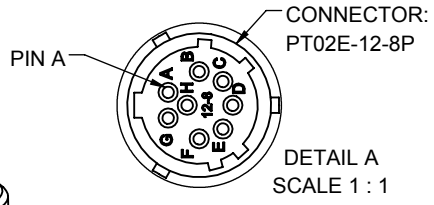
#	CAPACITY	US CAPACITIES	SI CAPACITIES
		500, 1K, 2K, 5K, 10K (lbf)	2.2, 4.5, 9, 22, 45 (kN)
1	BASE THREAD, DEPTH & C'BORE	.625-18 UNF-3B ∇ .87 \sqcup ϕ .645 ∇ .12	M16 X 2-4H ∇ .87[22.1] \sqcup ϕ .65[16.51] ∇ .12[3.0]
2	THREAD ADAPTER & SPANNER NUT	CA-101	CA-201
3	ADAPTER THREAD	.625-18 UNF-3A	M16 X 2-4g

Interface Inc. claims proprietary rights in the information disclosed herein. This drawing is furnished in confidence on the express understanding that neither it nor any reproduction thereof will be disclosed to others or used for the purpose of manufacture or procurement of the article or part shown herein without written permission of Interface Inc. The drawing shall remain the property of Interface Inc. and shall be returned upon request by Interface Inc.

REVISIONS			
REV.	DESCRIPTION	DATE	APPROVED
A	INITIAL RELEASE	06/13/97	
B	ADDED SPHERICAL RADIUS	05/15/98	
C	ADDED METRIC CAPACITIES	07/05/12	RLP
D	ADDED CON W/TEDS IN TABLE, UPDATED TO CURRENT STANDARDS	08/03/16	DLC
E	UPDATED TO SHOW DUST COVER	8/07/2017	AL



IDENTIFICATION LABEL INCLUDING:
MODEL, CAPACITY, SERIAL NUMBER & OUTPUT



CONNECTOR PINOUT		
PIN	8 WIRE (C2)	8 WIRE (C2 WITH TEDS OPTION)
A	+ EXCITATION	+ EXCITATION
B	+ SIGNAL	+ SIGNAL
C	- SIGNAL	- SIGNAL
D	- EXCITATION	- EXCITATION
E	- SENSE	- SENSE
F	+ SENSE	+ SENSE
G	- RCAL	TEDS DATA
H	+ RCAL	TEDS GROUND
ALL READ UPSCALE IN TENSION		

\triangle 1 DO NOT PAINT

UNLESS OTHERWISE SPECIFIED
DIMENSIONS ARE IN INCHES [mm]
TOLERANCES ARE:
ANGLES $\pm 0^{\circ} 30'$
.XX $\pm .01$ [0.25]
.XXX $\pm .005$ [0.13]

CREATOR: DATE:
DESIGNED:
DETAILED: PER 12/23/1996
WEIGHT: (APPROX) 3.1 (lbs)

Interface 7401 E. BUTHERUS DR.
FORCE MEASUREMENT SOLUTIONS SCOTTSDALE, AZ 85260 USA

TITLE:
OUTLINE MODEL: 1610

SIZE: DWG. NO: **80018** REV: **E**

SCALE: 1:2 SHEET 1 OF 1