

LOAD CELL CHARACTERISTICS

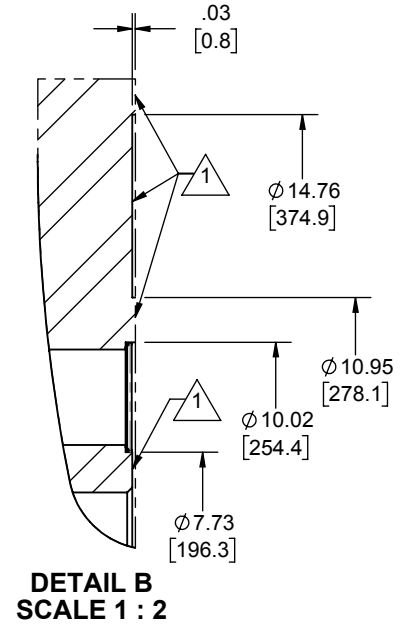
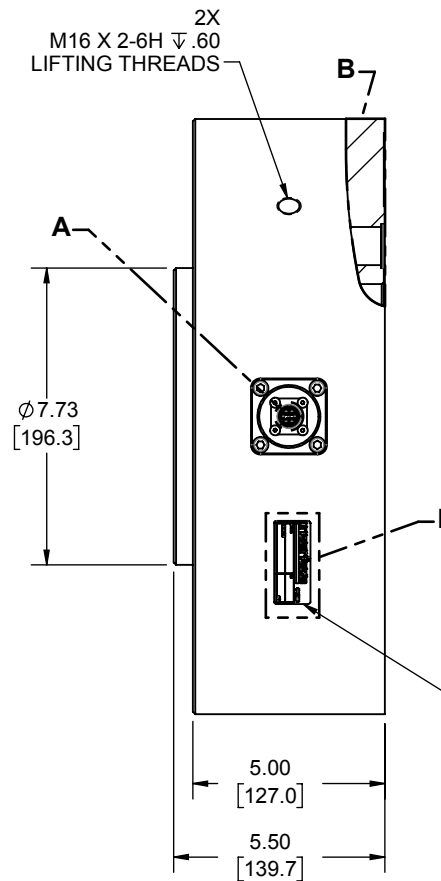
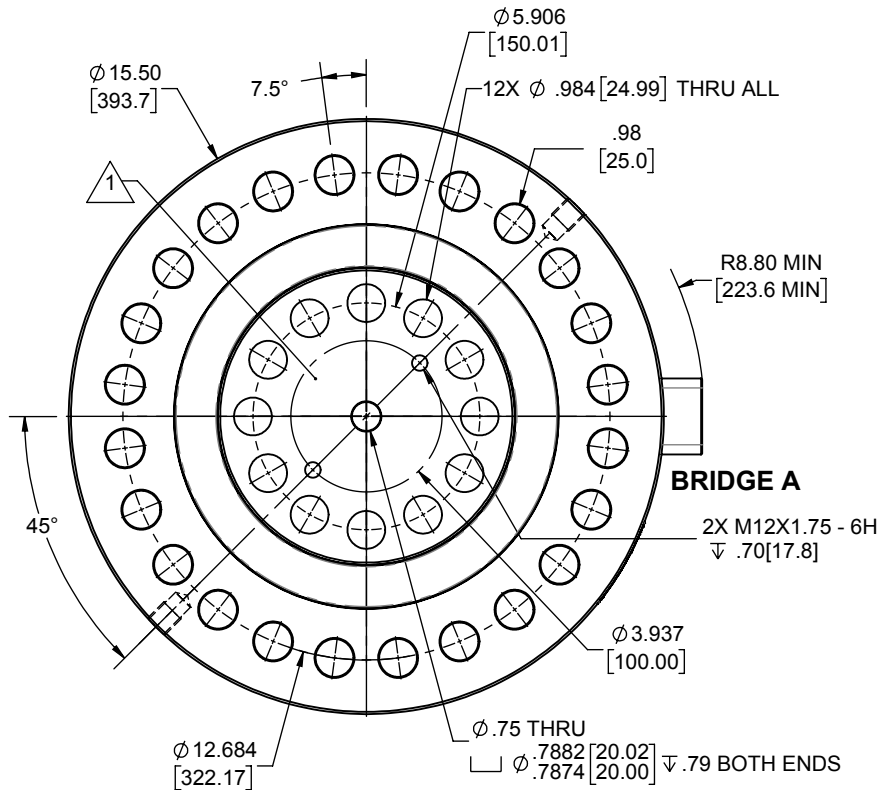
CAPACITY 1500 KN

Interface Inc. claims proprietary rights in the information disclosed herein. This drawing is furnished in confidence on the express understanding that neither it nor any reproduction thereof will be disclosed to others or used for the purpose of manufacture or procurement of the article or part shown hereon without written permission of Interface Inc. The drawing shall remain the property of Interface Inc. and shall be returned upon request by Interface Inc.

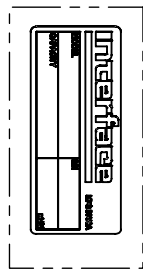
80648

REVISIONS

REV.	DESCRIPTION	DATE	APPROVED
A	INITIAL RELEASE	09/12/06	
B	UPDATED TO CURRENT STDS; REPLACED CONN PROTECTOR	6/14/2019	CS



IDENTIFICATION LABEL INCLUDING:
MODEL, CAPACITY, SERIAL
NUMBER & OUTPUT
(UPSIDE DOWN AS SHOWN)



**DETAIL D
SCALE 1 : 2**

CONNECTOR PINOUT	
PIN	FUNCTION
A	+ EXCITATION
B	+ SIGNAL
C	- SIGNAL
D	- EXCITATION
E	+ SENSE
F	- SENSE

TENSION UPSCALE

CONNECTOR:
PT02E-10-6P(023)



**DETAIL A
SCALE 2 : 3**

2. PAINT COLOR: INTERFACE BLUE

△ NO PAINT

UNLESS OTHERWISE SPECIFIED
DIMENSIONS ARE IN INCHES [mm]
TOLERANCES ARE:
ANGLES ± 0° 30'
.XX ± .01 [0.25]
.XXX ± .005 [0.13]

CREATOR	DATE
DESIGNED:	
DETAILED: JEP	09/06/06
WEIGHT: (APPROX) 203.79 (lbs)	

Interface
FORCE MEASUREMENT SOLUTIONS
7418 E. HELM DRIVE
SCOTTSDALE, AZ 85260 USA

TITLE:
**OUTLINE MODEL:
1268DCL-1500KN**

SIZE: A	DWG. NO: 80648	REV: B
SCALE: 1:5	SHEET 1 OF 1	