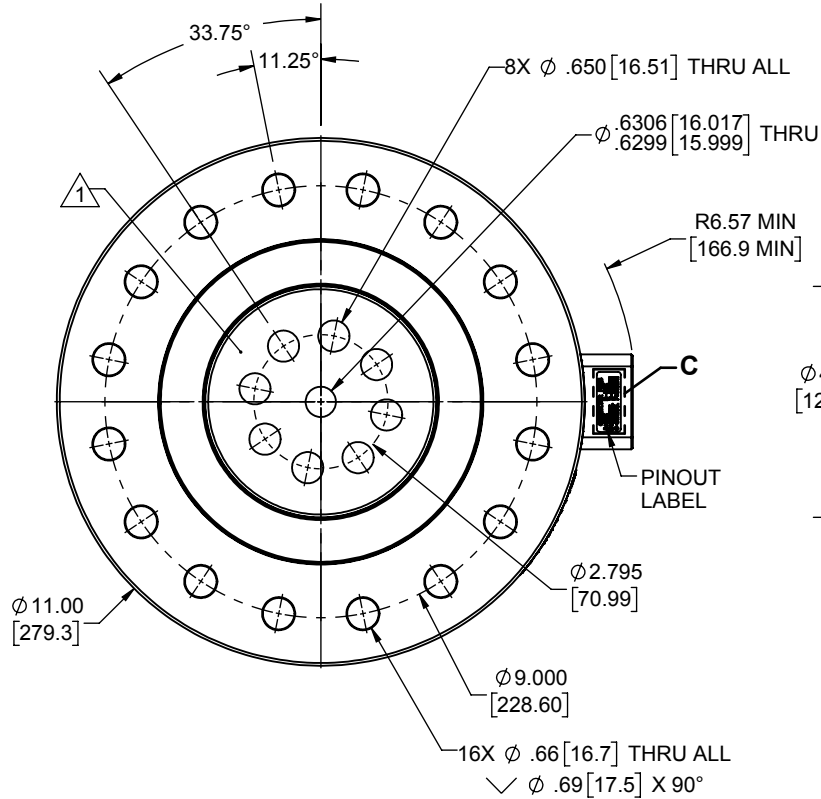


LOAD CELL CHARACTERISTICS	
CAPACITY	350, 450, 500 (kN)

CONNECTOR PINS
A+EXC D-EXC
B+SIGNL E-SENSE
C-SIGNAL F+SENSE

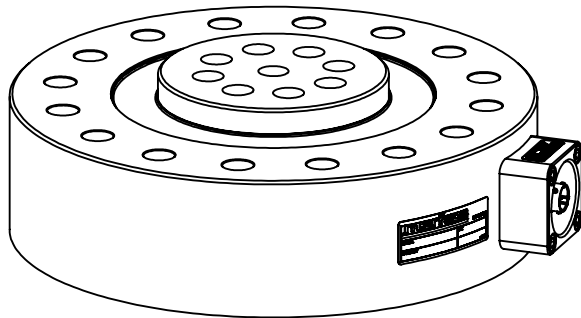
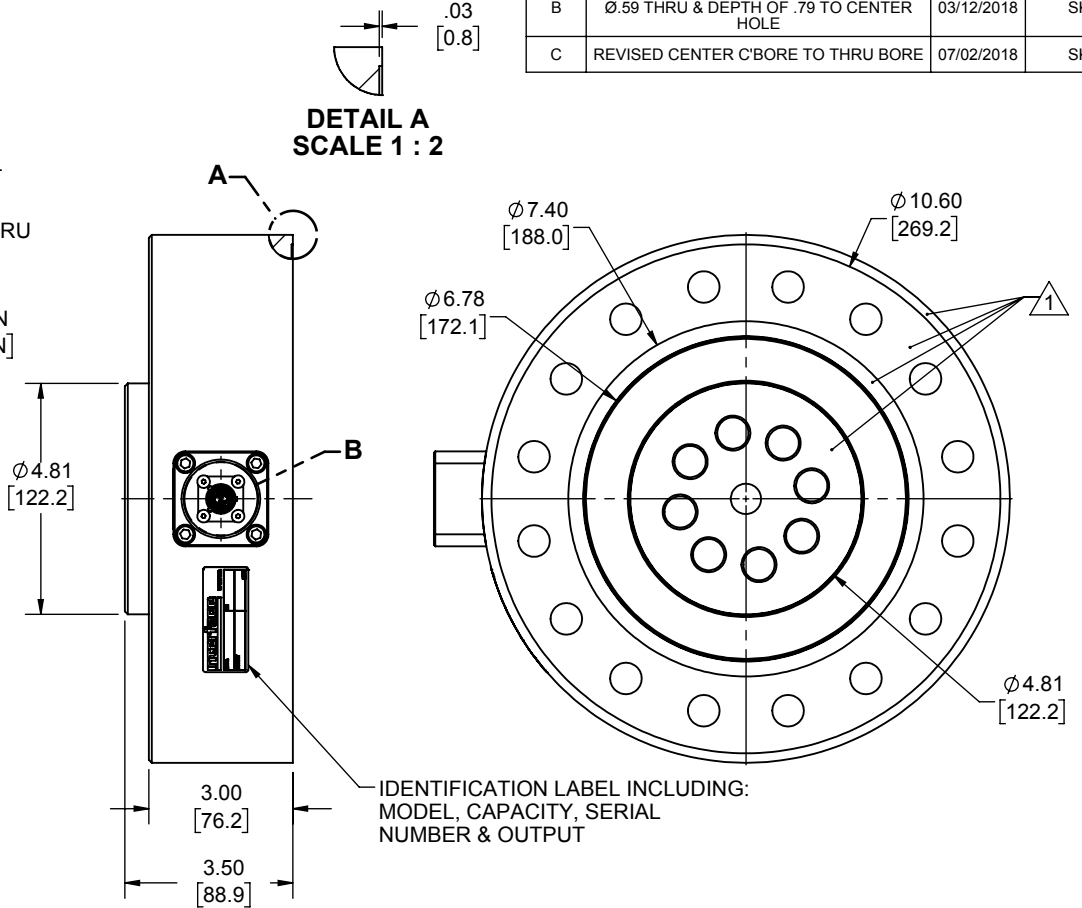
DETAIL C
SCALE 1:1



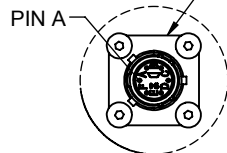
Interface Inc. claims proprietary rights in the information disclosed herein. This drawing is furnished in confidence on the express understanding that neither it nor any reproduction thereof will be disclosed to others or used for the purpose of manufacture or procurement of the article or part shown herein without written permission of Interface Inc. The drawing shall remain the property of Interface Inc. and shall be returned upon request by Interface Inc.

80523			
REVISIONS			
REV.	DESCRIPTION	DATE	APPROVED
A	INITIAL RELEASE	12/31/04	
B	REDRAWN TO CURRENT STD'S, ADDED ϕ .59 THRU & DEPTH OF .79 TO CENTER HOLE	03/12/2018	SKD
C	REVISED CENTER C'BORE TO THRU BORE	07/02/2018	SKD

DETAIL A
SCALE 1:2



CONNECTOR:
 PT02E-10-6P



DETAIL B
SCALE 1:2

CONNECTOR PINOUT	
PIN	FUNCTION
A	+ EXCITATION
B	+ OUTPUT
C	- OUTPUT
D	- EXCITATION
E	- SENSE
F	+ SENSE
TENSION UPSCALE	

1 NO PAINT.

UNLESS OTHERWISE SPECIFIED DIMENSIONS ARE IN INCHES [mm] TOLERANCES ARE: ANGLES \pm 0° 30' .XX \pm .01 [0.25] .XXX \pm .005 [0.13]	
CREATOR:	DATE
DESIGNED:	
DETAILED: JEP	12/30/04
WEIGHT: (APPROX) 65.42 (lbs)	

Interface FORCE MEASUREMENT SOLUTIONS		7418 E. HELM DRIVE SCOTTSDALE, AZ 85260 USA	
TITLE: OUTLINE MODEL: 1248-500KN FLANGE MOUNT HUB			
SIZE: A	DWG. NO: 80523	REV: C	
SCALE: 1:4		SHEET 1 OF 1	