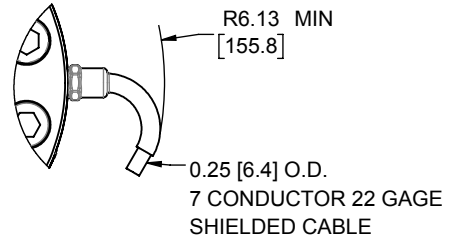
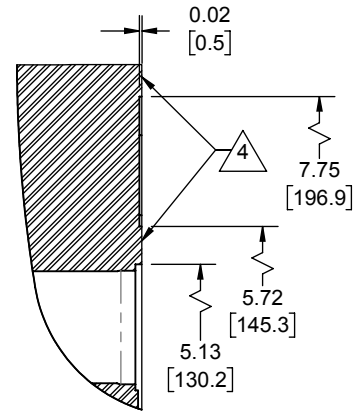
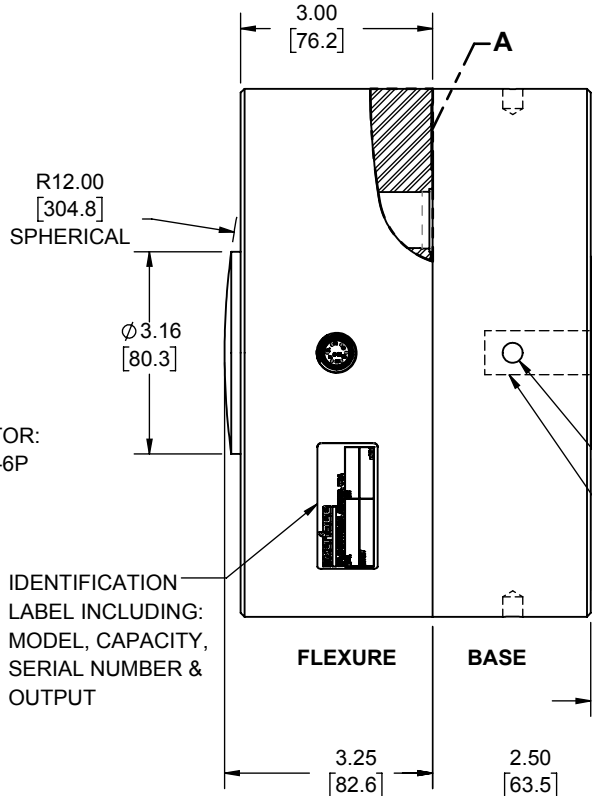
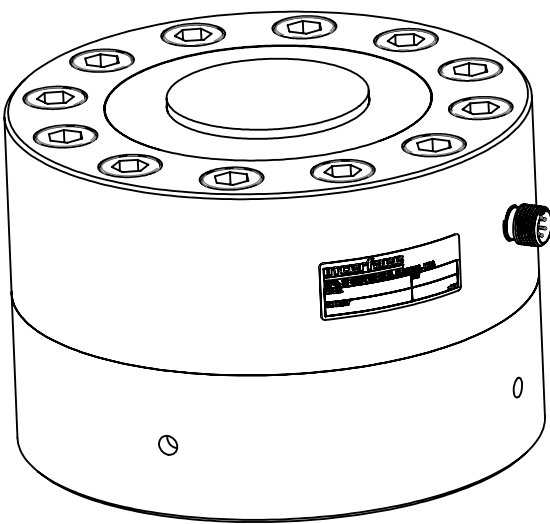
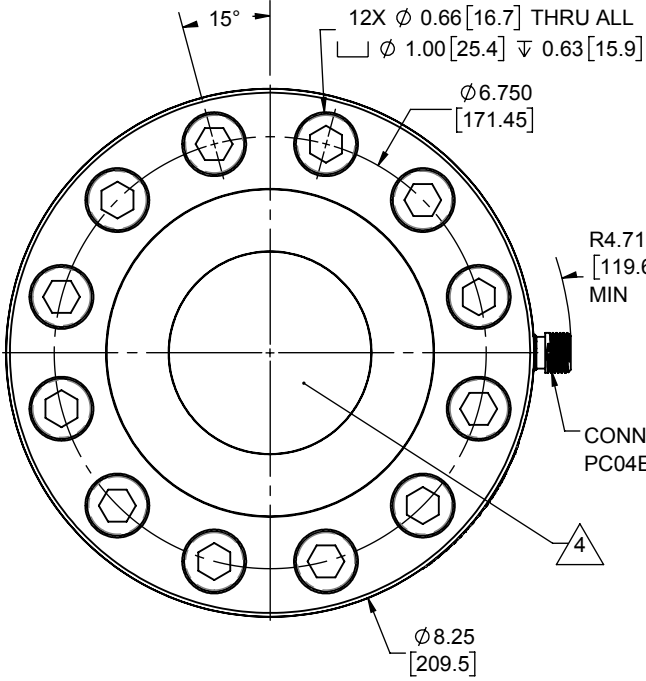


LOAD CELL CHARACTERISTICS

#	CAPACITY	US CAPACITIES	SI CAPACITIES
		200K (lbf)	900 (kN)
1	BASE THREAD, DEPTH & C'BORE	.750-16 UNF-3B ∇ 1.50 \square ϕ .77 ∇ .12	M27 X 2-6H ∇ 38.1

Interface Inc. claims proprietary rights in the information disclosed herein. This drawing is furnished in confidence on the express understanding that neither it nor any reproduction thereof will be disclosed to others or used for the purpose of manufacture or procurement of the article or part shown herein without written permission of Interface Inc. The drawing shall remain the property of Interface Inc. and shall be returned upon request by Interface Inc.

REVISIONS			
REV.	DESCRIPTION	DATE	APPROVED
A	ADDED BALLOON 19, 20, 21 & 22	09/12/06	
B	REMOVED "SUBMIT FM APPROVALS REV REPORT" NOTE; REDRAWN & UPDATED TO CURRENT STANDARDS	11/04/2016	DLC



CONNECTOR PINOUT		INTEGRAL CABLE MODELS	
PIN	4 WIRE (C1)	COLOR	FUNCTION
A	+ EXCITATION	RED	+ EXCITATION
B	+ OUTPUT	GREEN	+ OUTPUT
C	- OUTPUT	WHITE	- OUTPUT
D	- EXCITATION	BLACK	- EXCITATION
E	N/C	WHITE / RED	+ SENSE
F	N/C	WHITE / BLACK	- SENSE
		WHITE / YELLOW	SHUNT CAL
		SHIELD	N/C

TENSION UPSCALE

- 4. NO PAINT
- 3. STANDARD CABLE LENGTH IS 10 FT [3M]. NON STANDARD CABLE LENGTH PER OPTION CODE.
- 2. CONNECTOR POSITION FOR MULTIPLE BRIDGE LOAD CELLS ARE ORIENTED IN 90° CCW INCREMENTS.
- 1. BASE IS OPTIONAL. MODEL NUMBERS ENDING IN (-B) HAVE A BASE INSTALLED..

UNLESS OTHERWISE SPECIFIED DIMENSIONS ARE IN INCHES [mm]
TOLERANCES ARE:
ANGLES ± 0° 30'
.XX ± .01 [0.25]
.XXX ± .005 [0.13]

CREATOR: DATE:
DESIGNED:

DETAILED: JEP 7/28/2006
WEIGHT: (APPROX) 75.6 (lbs)

interface
ADVANCED FORCE MEASUREMENT
7401 E. BUTHERUS DR. SCOTTSDALE, AZ USA 85260

TITLE:
OUTLINE MODEL: 1241

SIZE: DWG. NO: **80011** REV: **B**

SCALE: 1:3 SHEET 1 OF 1