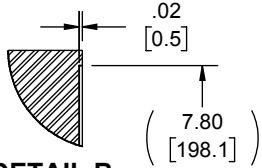


LOAD CELL CHARACTERISTICS	
CAPACITY	250 (kN)

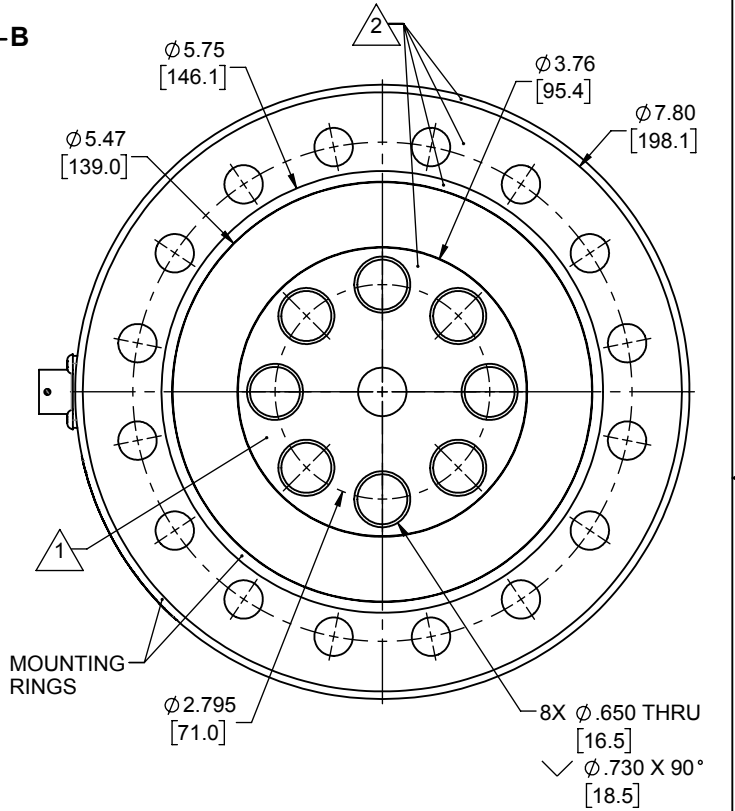
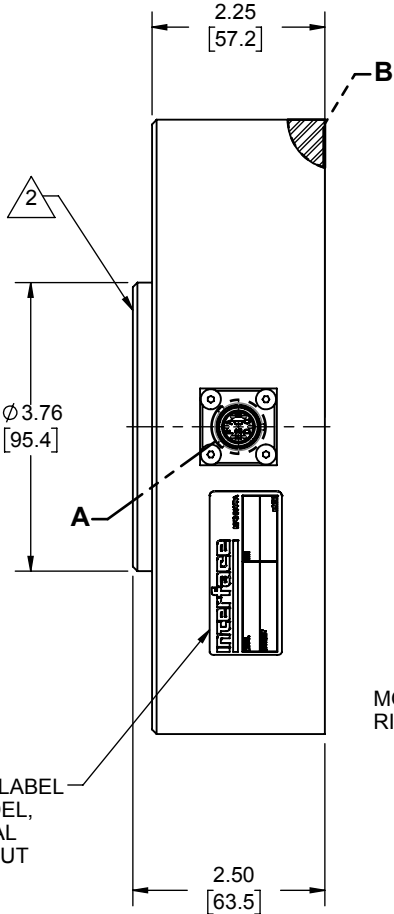
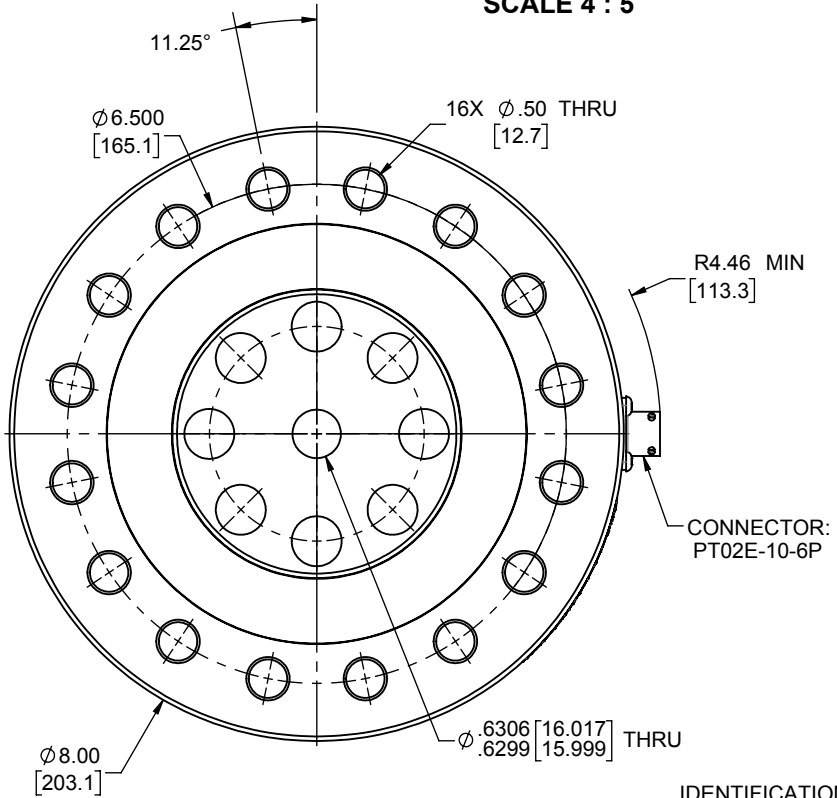
Interface Inc. claims proprietary rights in the information disclosed herein. This drawing is furnished in confidence on the express understanding that neither it nor any reproduction thereof will be disclosed to others or used for the purpose of manufacture or procurement of the article or part shown herein without written permission of Interface Inc. The drawing shall remain the property of Interface Inc. and shall be returned upon request by Interface Inc.

80590

REVISIONS			
REV.	DESCRIPTION	DATE	APPROVED
A	INITIAL RELEASE	10/20/05	
B	REDRAWN, UPDATED TO CURRENT STDS.	10/6/2016	DLC
C	ADDED SENSE TO PINOUT TABLE	01/13/2017	BB
D	ADDED $\phi .59$ & $\nabla .79$ TO CENTER HOLE	03/12/2018	SKD
E	CENTER C'BORE REVISED TO BOTH ENDS	06/08/2018	SKD
F	REVISED CENTER C'BORE TO THRU BORE	07/06/2018	SKD



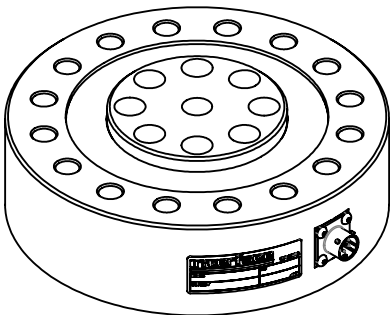
DETAIL B
SCALE 4 : 5



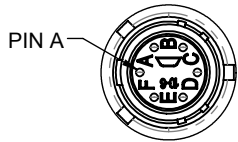
IDENTIFICATION LABEL
INCLUDING: MODEL,
CAPACITY, SERIAL
NUMBER & OUTPUT

$\nabla 2$ NO PAINT

$\nabla 1$ FLANGE BOLT SURFACE BELOW
FLEXURE MOUNTING RINGS 0.02 [0.5].



CONNECTOR PINOUT	
PIN	FUNCTION
A	+ EXCITATION
B	+ SIGNAL
C	- SIGNAL
D	- EXCITATION
E	- SENSE
F	+ SENSE
TENSION UPSCALE	



DETAIL A
SCALE 1 : 1

UNLESS OTHERWISE SPECIFIED
DIMENSIONS ARE IN INCHES [mm]
TOLERANCES ARE:
ANGLES $\pm 0^{\circ} 30'$
.XX $\pm .01$ [0.25]
.XXX $\pm .005$ [0.13]

Interface
FORCE MEASUREMENT SOLUTIONS
7418 E. HELM DRIVE
SCOTTSDALE, AZ 85260 USA

CREATOR	DATE
DESIGNED:	
DETAILED: JEP	10/12/2005
WEIGHT: (APPROX) 23.16 (lbs)	

TITLE: OUTLINE MODEL: 1238-250KN FLANGE MOUNT HUB		SIZE: DWG. NO: 80590	REV: F
SCALE: 2:5	SHEET 1 OF 1		