

LOAD CELL CHARACTERISTICS

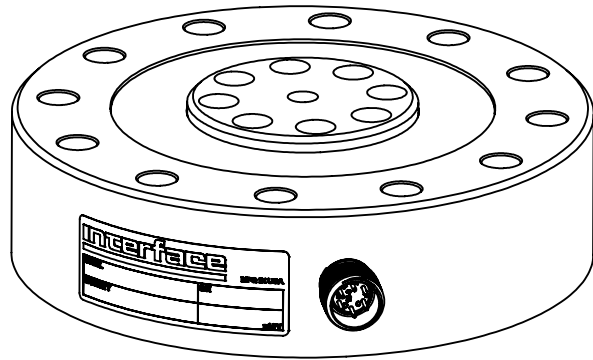
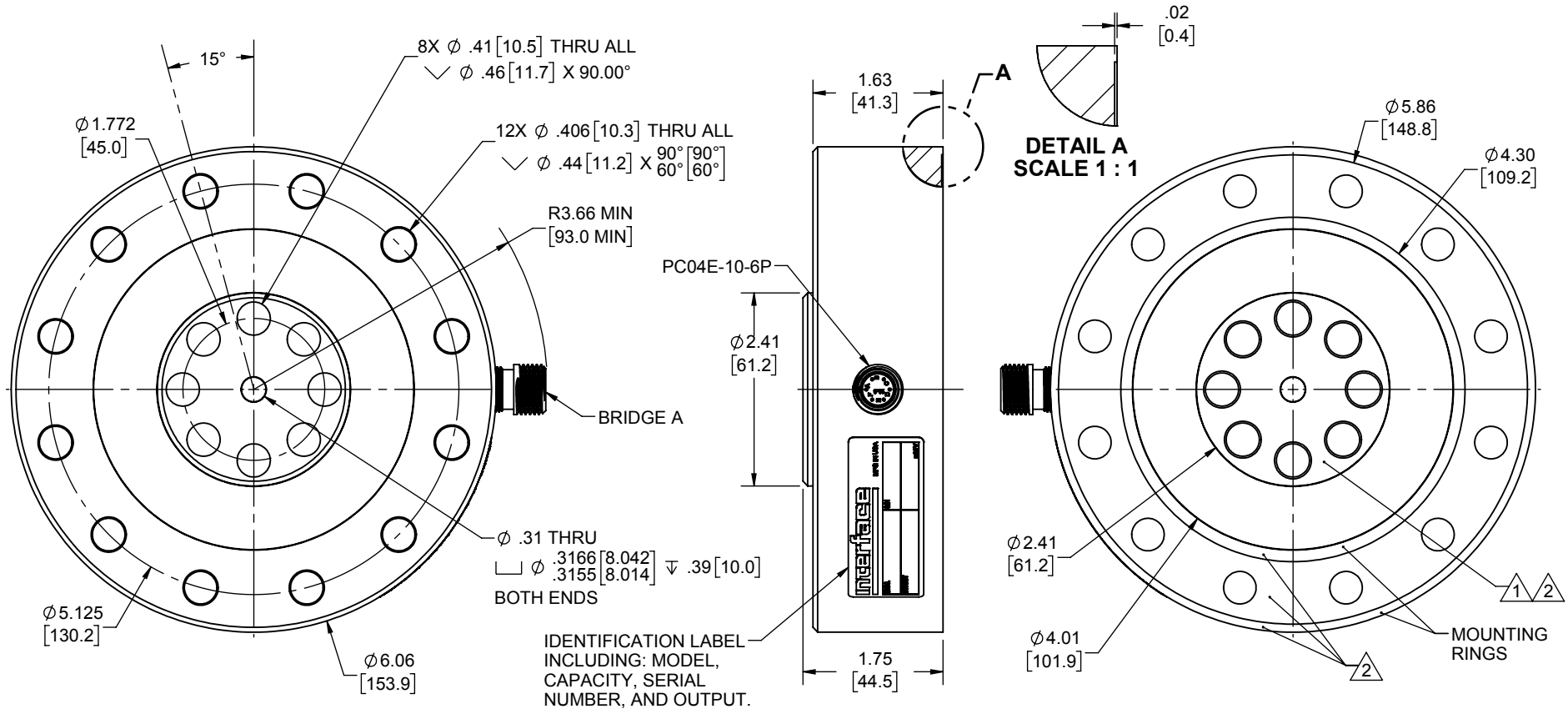
CAPACITY 50 KN

Interface Inc. claims proprietary rights in the information disclosed herein. This drawing is furnished in confidence on the express understanding that neither it nor any reproduction thereof will be disclosed to others or used for the purpose of manufacture or procurement of the article or part shown hereon without written permission of Interface Inc. The drawing shall remain the property of Interface Inc. and shall be returned upon request by Interface Inc.

81619

REVISIONS

REV.	DESCRIPTION	DATE	APPROVED
A	INITIAL RELEASE	02/03/16	LCG
B	UPDATED CENTER THRU HOLE SIZE, WAS $\phi .32 [8.0]$ $\nabla .39 [10.0]$	03/12/2018	SKD
C	ADDED "BOTH ENDS" TO CENTER C'BORE	06/11/2018	SKD



CONNECTOR PINOUT	
PIN	FUNCTION
A	+ EXCITAION
B	+ SIGNAL
C	- SIGNAL
D	- EXCITATION
E	N/C
F	N/C
TENSION UPSCALE	

- $\triangle 2$ FLANGE BOLT SURFACE BELOW FLEXURE MOUNTING RINGS .02 [0.4].
- $\triangle 1$ NO PAINT.

UNLESS OTHERWISE SPECIFIED DIMENSIONS ARE IN INCHES [mm]
 TOLERANCES ARE:
 ANGLES $\pm 0^\circ 30'$
 .XX $\pm .01 [0.25]$
 .XXX $\pm .005 [0.13]$

CREATOR	DATE
DESIGNED:	
DETAILED: RMP	1/28/2016
WEIGHT: (APPROX) 9.32 (lbs)	

Interface 7418 E. HELM DRIVE
 FORCE MEASUREMENT SOLUTIONS, SCOTTSDALE, AZ 85260 USA

TITLE:
**OUTLINE MODEL:
 1228AF-50KN**

SIZE: A	DWG. NO: 81619	REV: C
SCALE: 1:2	SHEET 1 OF 1	