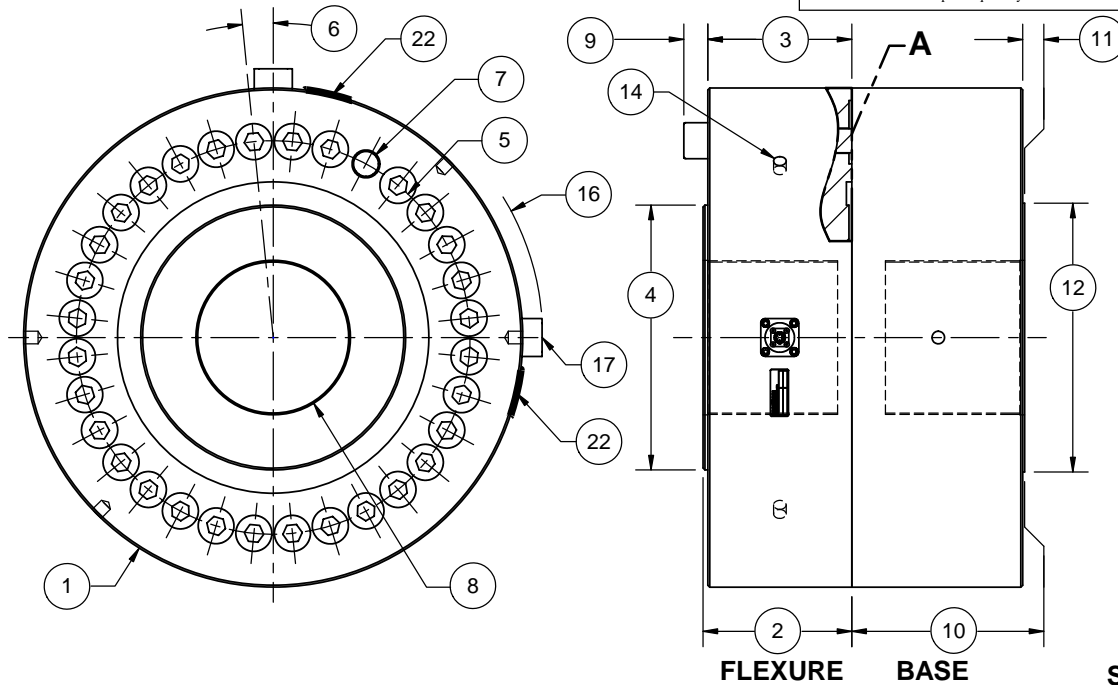


Interface Inc. claims proprietary rights in the information disclosed herein. This drawing is furnished in confidence on the express understanding that neither it nor any reproduction thereof will be disclosed to others or used for the purpose of manufacture or procurement of the article or part shown herein without written permission of Interface Inc. The drawing shall remain the property of Interface Inc. and shall be returned upon request by Interface Inc.

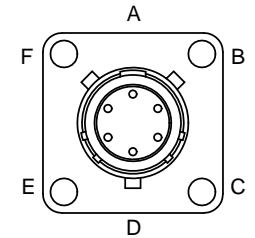
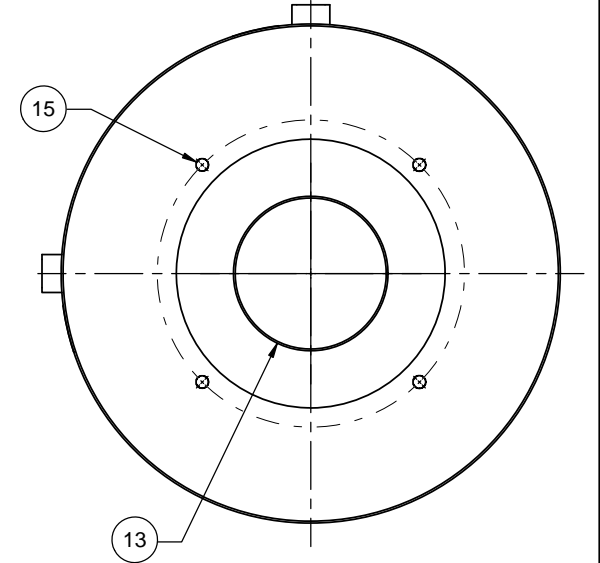
80434

REVISIONS

REV	DESCRIPTION	DATE	APPROVED
D	INITIAL RELEASE	10/02/03	
E	ADDED ADDITIONAL LIFTING HOLE ON BASE	06/27/13	<i>ml</i>



DETAIL A
SCALE 1 : 5



LOAD CELL CHARACTERISTICS		CAPACITIES
#	CAPACITY	1000K (lbf)
1	OUTSIDE DIAMETER	Ø26.00 (Ø660.4)
2	HUB SURFACE TO MOUNTING SURFACE	7.75 (196.8)
3	BOLT SURFACE TO MOUNTING SURFACE	7.50 (190.5)
4	HUB SURFACE DIAMETER	Ø13.79 (Ø350.3)
5	MOUNTING BOLT CIRCLE	Ø20.500 (Ø520.70)
6	MOUNTING BOLT OFFSET ANGLE	5.63°
7	MOUNTING BOLT THRU HOLE Ø	Ø1.313 (Ø33.35)
8	FLEXURE THREAD, DEPTH & COUNTERBORE	8.0-8 UN-3B ∇ 7.00 (177.8), \sqcup Ø8.05 (Ø204.5) ∇ 0.25 (6.4)
9	BOLT HEAD HEIGHT	1.25 (31.8)
10	BASE HEIGHT	9.00 (228.6)
11	BASE PAD HEIGHT	0.10 (2.5)
12	BASE PAD DIAMETER	Ø14.00 (Ø355.6)
13	BASE THREAD, DEPTH & COUNTERBORE	8.0-8 UN-3B ∇ 7.25 (184.2), \sqcup Ø8.05 (Ø204.5) ∇ 0.25 (6.4)
14	LIFTING THREADS (4 PLACES)	0.750-10 UNC-2B ∇ 0.75 (19.0)
15	SHIPPING BOLT HOLE - NOT FOR LOADING	0.750-10 UNC-2B ∇ 1.00 (25.4)
16	ROTATIONAL CLEARANCE	R14.04 (R356.7) MIN.
17	CONNECTOR TYPE	PT02E-10-6P
18	OUTER RING INNER DIAMETER	Ø24.70 (Ø627.4)
19	INNER RING OUTER DIAMETER	Ø18.10 (Ø459.7)
20	INNER RING INNER DIAMETER	Ø16.21 (Ø411.7)
21	RECESSED HUB SURFACE / AREAS	0.30 (0.8)
22	IDENTIFICATION LABEL INCLUDING: MODEL, CAPACITY & SERIAL NUMBER	

- DALLAS/MAXIM DS2433 INSTALLED IN BRIDGE A CONNECTOR.
- BASE IS OPTIONAL. MODEL NUMBERS ENDING IN (-B) HAVE A BASE INSTALLED.
- DIMENSIONAL TOLERANCE: ± 0.01 (± 0.3).
- DIMENSIONS IN INCHES (mm).

BRIDGE A		BRIDGE B	
PIN	FUNCTION	PIN	FUNCTION
A	+ EXCITATION	A	+ EXCITATION
B	+ SIGNAL	B	+ SIGNAL
C	- SIGNAL	C	- SIGNAL
D	- EXCITATION	D	- EXCITATION
E	TEDS DATA	E	N / C
F	TEDS GROUND	F	N / C

TENSION UPSCALE

REMOVE BURRS AND SHARP EDGES .02 MAX SURFACE FINISH 63 MICROINCHES	
CREATOR	DATE
DESIGNED:	
DETAILED:	06/15/09
CAM DATA:	

interface
ADVANCED FORCE MEASUREMENT
 7401 E. BUTHERUS DR. SCOTTSDALE, AZ USA 85260

TITLE:
**OUTLINE MODEL:
 1090CNY-1000K**

SIZE DWG. NO:
A 80434

SCALE: 1:10 SHEET 1 OF 1

REV:
E