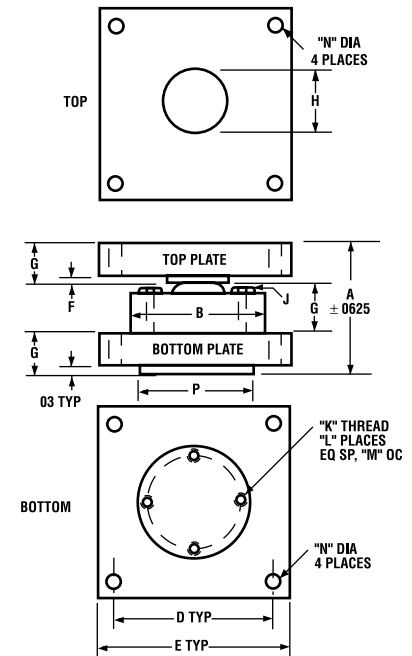


Accessories

Mounting Plates for Low Profile™ Load Cells

The installation of a compression load cell under a weigh bridge, tank, or other structure normally requires that mounting plates be used. The bottom plate, ground flat to 0.0002 T.I.R. to mate with the load cell and fabricated of mild steel, distributes the load over the foundation or supporting structure and provides a prepared surface for the load cell.

The top plate distributes the load to the weighing structure and provides a hard (R_c45) surface for the load button. The top plate will move on the button due to thermal expansion, load shifting, wind loading, and other side loads. The high side load capacity of the INTERFACE load cell eliminates the requirement for expansion assemblies in most installations. Mounting plates are suitable for compression loads only; they will not properly support a universal load cell used in tension.



P/N	L/C RANGE	A	B	C	D	E	F	G	H	J	K	L	M	N	P
TP-101, BP-101	1K, 2K	3.62	4.12	1.37	5.0	6	.25	1.12	2.00	1/4-20 X 1-1/2	1/4-20	8	3.50	.56	3.00
TP-101, BP-108	5K, 10K	3.62	4.12	1.37	5.0	6	.25	1.12	2.00	1/4-20 X 1-1/2	1/4-20	8	3.50	.56	3.00
TP-102, BP-102	25K, 50K	4.25	4.75	4.75	5.5	7	.25	1.25	2.25	5/16-18 X 2	5/16-18	4	4.00	.69	3.50
TP-103, BP-103	100K	5.25	7.50	2.25	6.5	8	.25	1.50	2.75	7/16-20 X 2 -1/2	7/16-20	12	6.25	.69	4.00
TP-104, BP-104	200K	8.25	8.25	3.25	8.0	10	.37	2.50	4.00	5/8-11 X 3 3/4	5/8-11	12	6.75	.69	8.25
*TP-301, BP-308	5K, 10K	3.49	4.12	1.37	5.0	6	.12	1.12	1.9	1/4-20 X 1-1/2	1/4-20	8	3.50	.56	3.00
*TP-302, BP-302	25K, 50K	4.25	4.75	1.75	5.5	7	.25	1.25	1.9	5/16-18 X 2	5/16-18	4	4.00	.69	3.50
*TP-303, BP-303	100K	5.25	7.50	2.25	6.5	8	.25	1.50	1.9	7/16-20 X 2-1/2	7/16-20	12	6.25	.69	4.0

*STAINLESS STEEL

Add the dash number after the basic part number of bottom plate to specify exact configuration of the plate and type of mounting screws supplied in the kit.

DASH #	DESCRIPTION	PAD	USAGE
-3	Single threaded stud in center	No	Load cell with base installed
-11	Tapped holes and hex head cap screws	Yes	Uncounterbored load cell
-12	Tapped holes and socket head cap screws	Yes	Counterbored load cell
-21	Tapped holes and hex head cap screws	No	Uncounterbored load cell
-22	Tapped holes and socket head cap screws	No	Counterbored load cell