

MSC Small Diameter High Capacity Load Button

- Proprietary Interface temperature compensated strain gages
- Small compact design
- Environmentally sealed
- Stainless steel construction
- Low deflection



STANDARD CONFIGURATION

5 ft. Integral Cable

OPTIONS

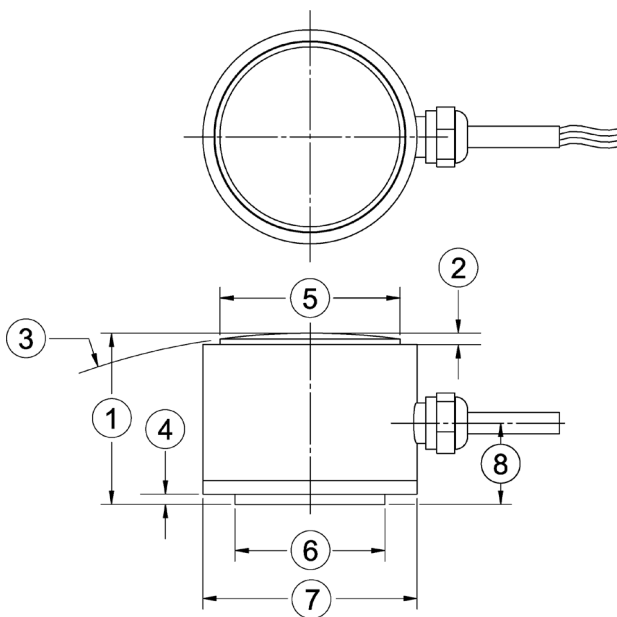
Extra Cable Length

ACCESSORIES

Instrumentation

SPECIFICATIONS

| ACCURACY – (MAX ERROR) | |
|---------------------------------|--------------|
| Nonlinearity–% FS | ±0.5 |
| Hysteresis–% FS | ±0.5 |
| Nonrepeatability–% RO | ±0.10 |
| Creep, in 20 min–% | ±0.15 |
| TEMPERATURE | |
| Compensated Range–°F | 40 to 140 |
| Compensated Range–°C | 5 to 60 |
| Operating Range–°F | -40 to 175 |
| Operating Range–°C | -40 to 80 |
| Effect on Output–%/°F–MAX | ±0.2 |
| Effect on Output–%/°C–MAX | ±0.005 |
| Effect on Zero–% RO/°F–MAX | ±0.5 |
| Effect on Zero–% RO/°C–MAX | ±0.002 |
| ELECTRICAL | |
| Rated Output–mV/V (Nominal) | 2 +40%/-20% |
| Zero Balance–% RO | ±2 |
| Bridge Resistance–Ohm (Nominal) | 350 +50/-3.5 |
| Excitation Voltage–MAX | 15 VDC |
| Insulation Resistance–Megohm | 5000 |
| MECHANICAL | |
| Calibration | Compression |
| Safe Overload - % CAP | 150 |
| Cable length–ft | 5 |



DIMENSIONS

| See Drawing | CAPACITY | |
|-------------|-----------------------|----------------------|
| | U.S. (lbf) | Metric (N) |
| | 15K, 20K, 30K inch | 65K, 90K, 130K mm |
| (1) | 1.00 | 25.4 |
| (2) | 0.06 | 1.52 |
| (3) | R 4.0 ±.5 | 101.6 ±13 |
| (4) | 0.06 | 1.52 |
| (5) | 1.05 | 26.67 |
| (6) | 0.875 | 22.23 |
| (7) | 1.25 | 31.75 |
| (8) | .5 ±0.1 | 12.32 |