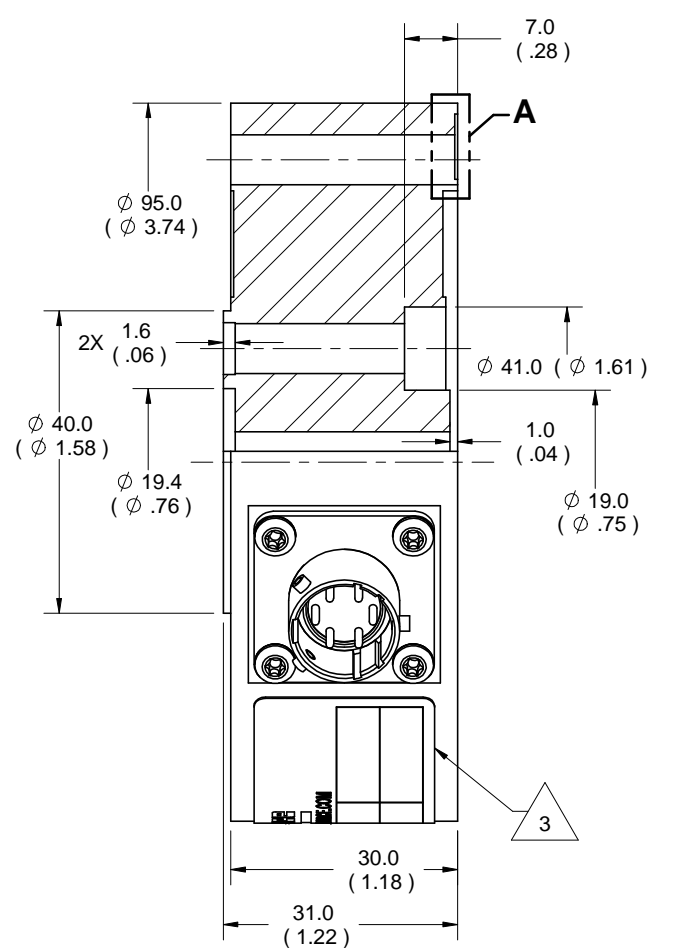
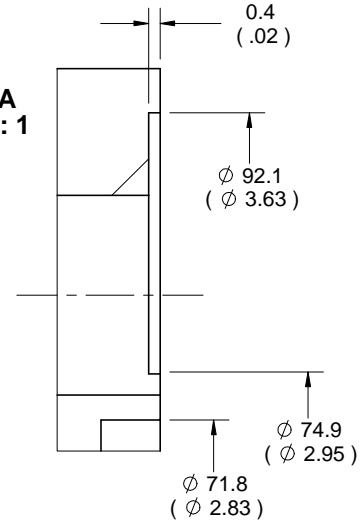
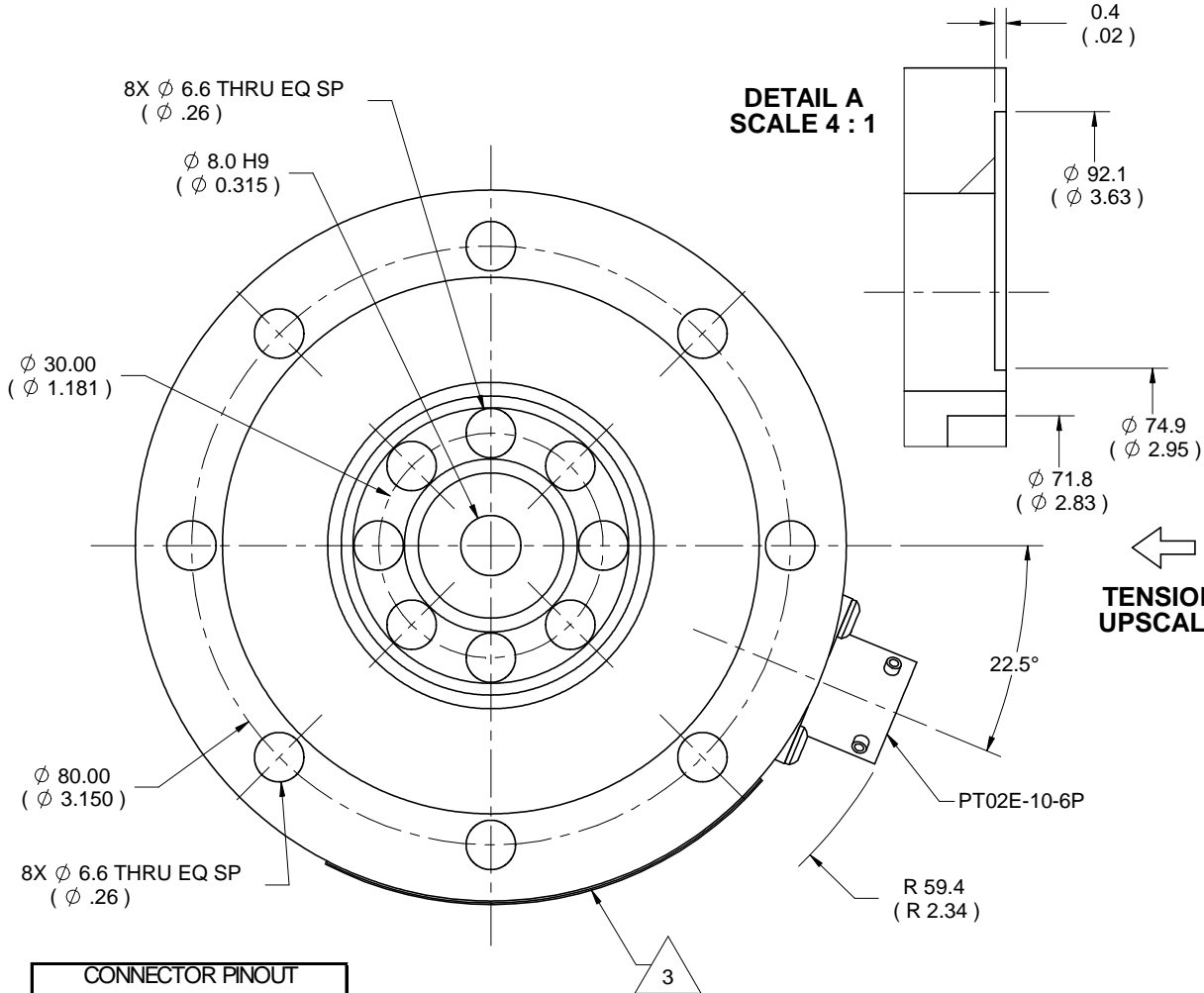


Interface Inc. claims proprietary rights in the information disclosed herein. This drawing is furnished in confidence on the express understanding that neither it nor any reproduction thereof will be disclosed to others or used for the purpose of manufacture or procurement of the article or part shown hereon without written permission of Interface Inc. The drawing shall remain the property of Interface Inc. and shall be returned upon request by Interface Inc.

80489

REVISIONS

REV	DESCRIPTION	DATE	APPROVED
A	INITIAL RELEASE	09/15/04	
B	PT02E-10-6P WAS PC04E-10-6P	11/30/04	
C	CORRECTED TYPOS	01/18/12	<i>ml</i>



CONNECTOR PINOUT	
PIN	FUNCTION
A	+ EXCITATION
B	+ SIGNAL
C	- SIGNAL
D	- EXCITATION
E	- SENSE
F	+ SENSE
STANDARD CONNECTION	

TENSION UPSCALE

- 3 IDENTIFICATION LABEL INCLUDING: MODEL, CAPACITY, SERIAL NUMBER & OUTPUT.
2. DIMENSIONAL TOLERANCE:  $\pm 0.3$  ( $\pm 0.01$ ).
1. DIMENSIONS IN mm (INCHES).

REMOVE BURRS AND SHARP EDGES .02 MAX SURFACE FINISH 63 MICROINCHES	
CREATOR	DATE
DESIGNED: LARRY B.	05/11/04
DETAILED: J.E.P.	05/11/04
CAM DATA:	

**interface**  
ADVANCED FORCE MEASUREMENT  
7401 E. BUTHERUS DR. SCOTTSDALE, AZ USA 85260

TITLE:  
**OUTLINE MODEL  
1720-10KN, 20KN**

SIZE: DWG. NO: **80489**

SCALE: 1:1 SHEET 1 OF 1

REV: **C**