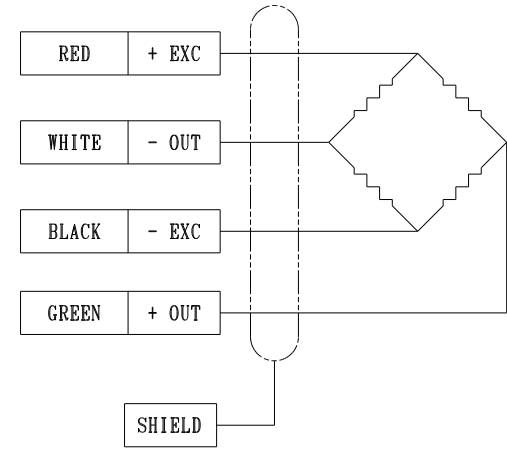
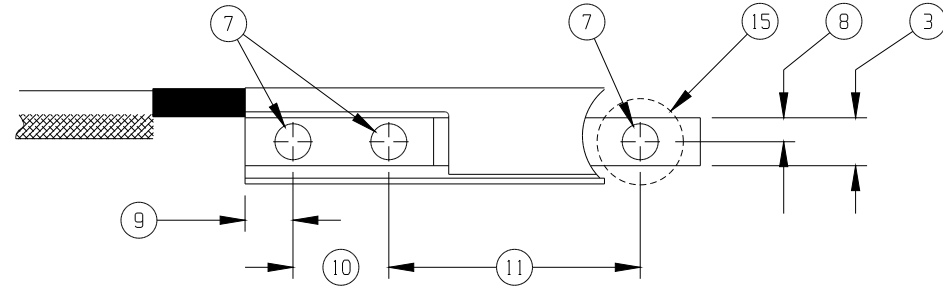
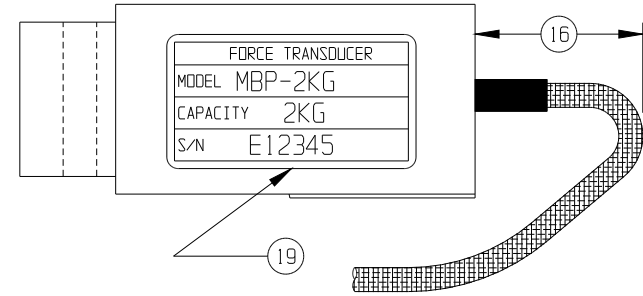
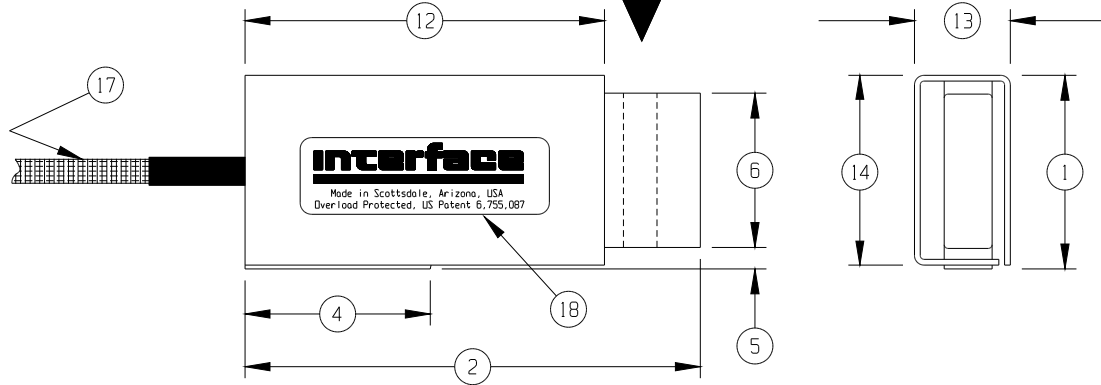


REVISIONS

REV	DESCRIPTION	DATE	APPROVED
A	INITIAL RELEASE	01-03-02	
B	ADDED PATENT LABEL LOGO	09-02-04	

FORCE



COMPRESSION UPSCALE

- 3 STANDARD CABLE LENGTH IS 5 ft (1.5m)
NON-STANDARD CABLE LENGTH PER OPTION CODE
- 2. DIMENSIONAL TOLERANCE: +/- 0.01 (mm +/- 0.3)
- 1. DIMENSIONS IN INCHES & (mm)

LOAD CELL CHARACTERISTICS		U.S. CAPACITY		
#	CAPACITY (lbf)	5	10	15
1	FLEXURE OVERALL HEIGHT	1.01 (25.7)		
2	FLEXURE LENGTH	2.38 (60.5)		
3	FLEXURE WIDTH	0.25 (6.4)		
4	FLEXURE MOUNTING SURFACE LENGTH	0.97 (24.6)		
5	MOUNT SURFACE TO FLEXURE BOTTOM	0.14 (3.6)		
6	FLEXURE END HEIGHT	0.75 (19.1)		
7	MOUNT & LOAD HOLE DIAMETER	0.17 (4.3)		
8	MOUNTING HOLE OFFSET FROM EDGE	0.13 (6.4)		
9	LOAD HOLE TO FLEXURE EDGE	0.25 (6.4)		
10	MOUNTING HOLE SPACING	0.50 (12.7)		
11	MOUNT HOLE TO LOAD AXIS HOLE	1.31 (33.3)		
12	COVER LENGTH	1.88 (47.8)		
13	COVER WIDTH	0.50 (12.7)		
14	COVER HEIGHT	1.01 (25.7)		
15	RADIAL CLEARANCE AROUND LOAD HOLE	0.23 (5.8)		
16	INTEGRAL CABLE BEND CLEARANCE	0.50 (12.7)		
17	CABLE TYPE 3	.13 (3.3) O.D. 4 CONDUCTOR 28 GAGE SHIELDED CABLE		
18	LABEL	LOGO		
19	IDENTIFICATION LABEL INCLUDING: MODEL, CAPACITY & SERIAL NUMBER			

interface, inc.
7401 E. BUTHERUS DR. SCOTTSDALE, ARIZONA 85260

TITLE:	DWG NO.:
OUTLINE, MODEL MBP	80367
SIZE: A	DRAWN BY: SBS DATE: 12-27-01 REV: B
SCALE: 1:2	APPROVED BY: SHEET 1 OF 1

Interface Inc. claims propriety rights in the information disclosed herein. This drawing is furnished in confidence on the express understanding that neither it nor any reproduction thereof will be disclosed to others or used for the purpose of manufacture or procurement of the article or part shown herein without written permission of Interface Inc. The drawing shall remain Interface's property and shall be returned on Interface's request.