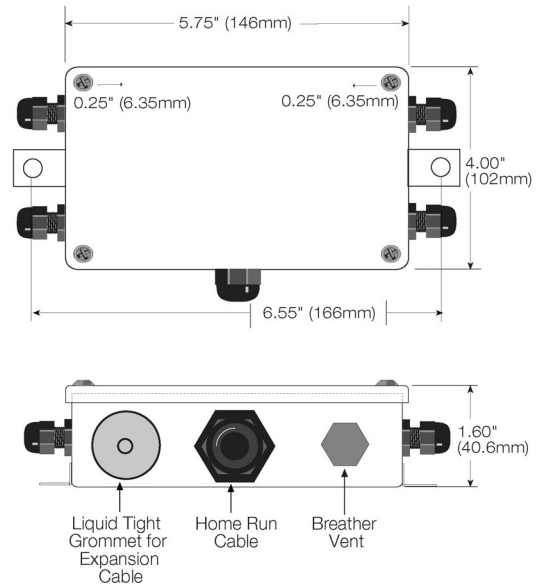


Junction Boxes

In its most basic form a junction box provides a convenient method for wiring multiple load cells to a single indicator. Junction boxes are commonly used in weighing applications where a tank or scale is supported by more than one load cell. The individual load cell cables are wired into the junction box and then a single cable connects the junction box to the instrumentation.

The JB104SS is a small 4x6.5x1.75 inch stainless steel NEMA 4 rated box suitable for installations where space is limited. Standard configuration is for up to 4 load cells and provides three trim ranges; no trim, 10% and 30%. Spring clips are used for the load cell connections.

DIMENSIONS



JB104SS