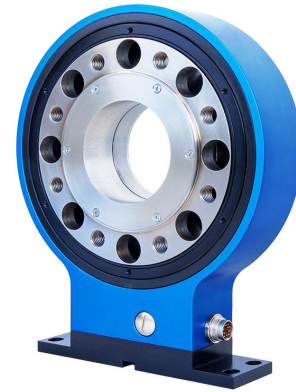


Model T27 Hollow Flange Rotary Torque Transducer

- Capacities from 5 Nm to 1000 Nm
- ±5V output
- Very short axial length
- Large thru-hole design
- Bearingless



OPTIONS

±10V output
Speed measurement – 30 pulse, +5V TTL

SPECIFICATIONS

ACCURACY – (MAX ERROR)	
Combined Error - %FS	+/-0.1
Nonrepeatability - % RO	+/-0.02
TEMPERATURE	
Effect on Zero - % RO/°C	+/-0.02
Effect on Output - %/°C	+/-0.01
Compensated Range - °C	5 to +45
Operating Range - °C	0 to +60
ELECTRICAL	
Output – VDC	+/-5
Bandwidth – Hz	1 kHz - 3dB
Supply Voltage – VDC	12-28
Supply Current – mA	90
Electrical Connection	12 pin Binder
Resolution	Analog
MECHANICAL	
Safe Overload - % RO	200
Cyclic Load Rating - % RO	+/-70 Peak
Balance Grade – DIN ISO 1940	6.3
IP Rating	54

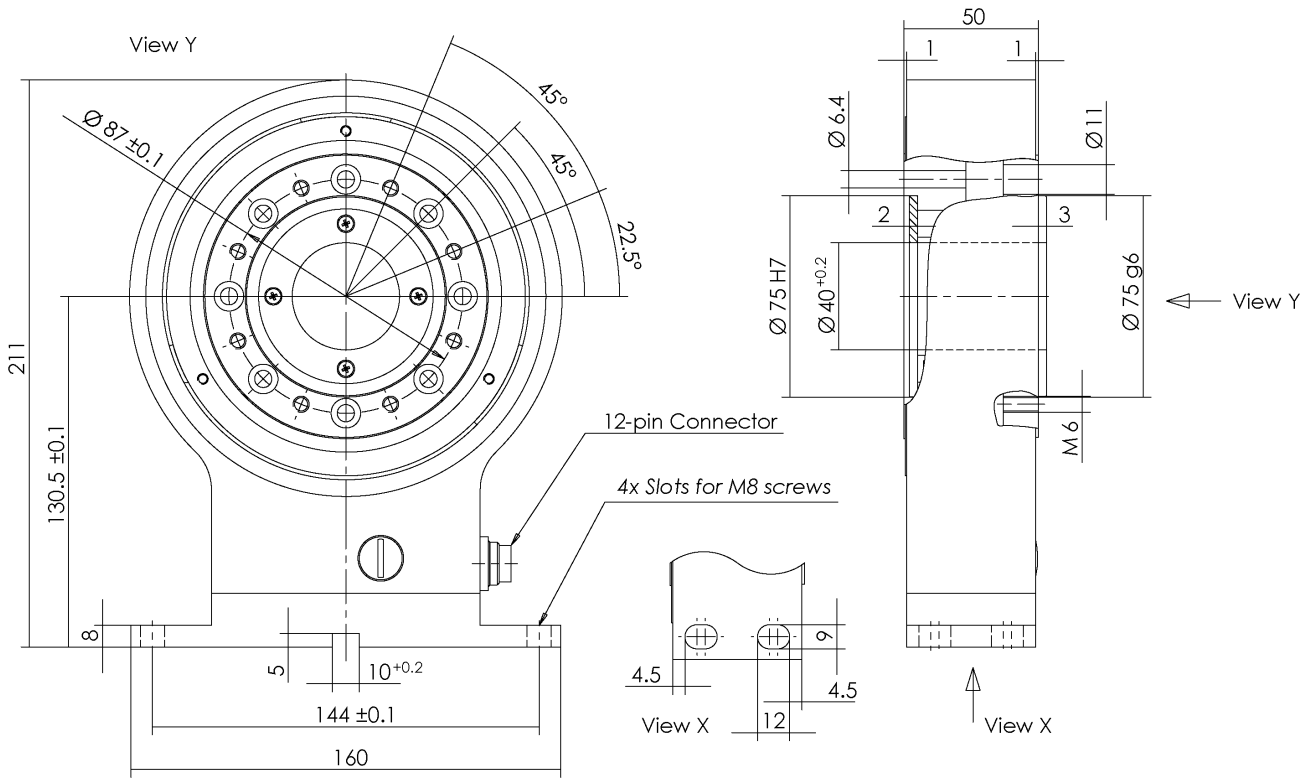
DIMENSIONS

T27 Hollow Flange Rotary Torque Transducer Performance Parameters

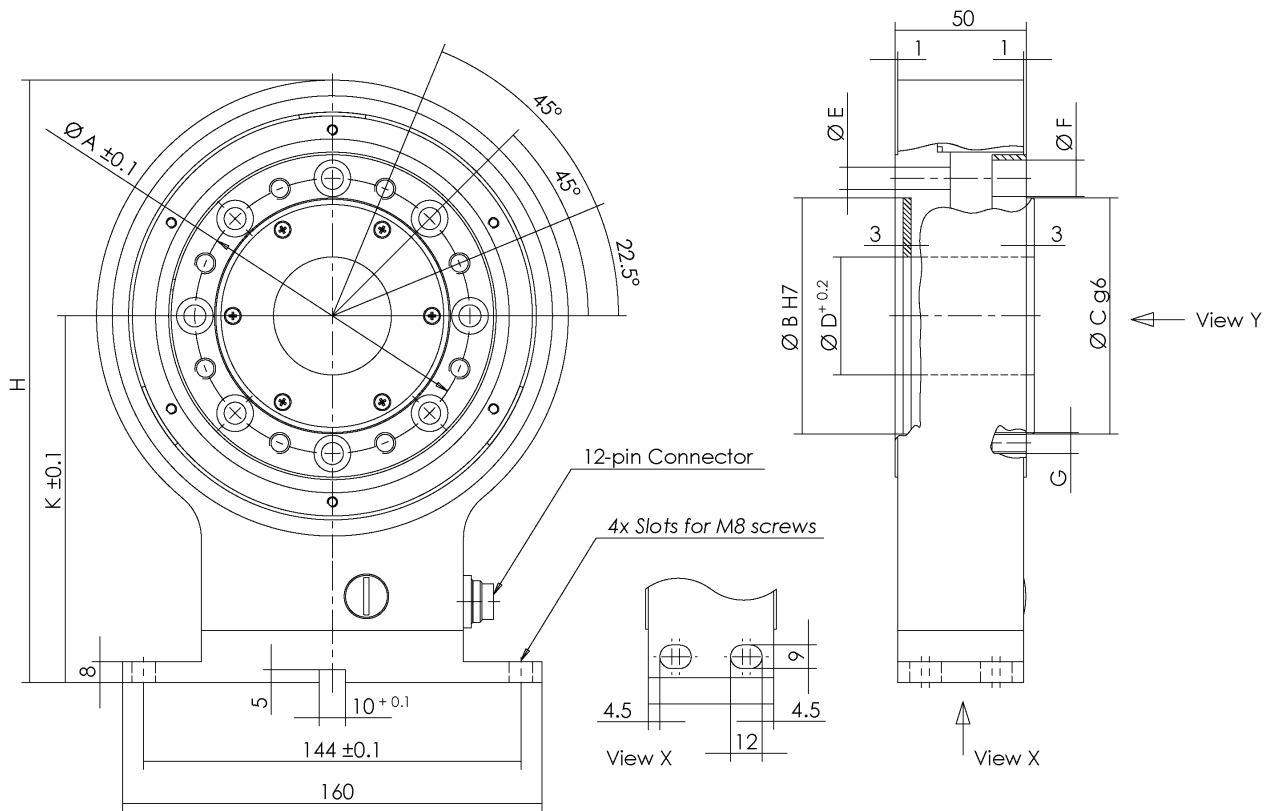
Capacity (N·m)	Max RPM	Springrate (Nm/rad)	Mass Moment of Inertia (kg·m ²) ¹		Max Thrust Load (N)	Max Shear Force (N)
			Drive Side	Test Side		
50	15000	8.3E+04	5.8E-03	1.1E-03	650	150
100	15000	1.4E+05	5.8E-03	1.1E-03	1000	250
200	15000	3.2E+05	9.2E-03	1.8E-03	1200	400
500	12000	1.1E+06	1.3E-02	4.0E-03	1300	700
1000	12000	3.5E+06	1.3E-02	4.1E-03	2000	1800

¹ Without optional speed measurement

DIMENSIONS



Capacity (N·m)	50 / 100
-----------------------	-----------------



Capacity (N·m)	Dimensions (mm)								
	Tk Ø A±0.1	Ø B H7	Ø C g6	Ø D+0.2	Ø E	Ø F	G	H	K±0.1
200	105	90	90	45	8.4	14	M8	230	140
500 / 1000	133	110	110	70	13	20	M12	250	150

T27
04/26/13