

Model WMCFP Miniature Sealed Stainless Steel Load Cell

Why the Interface model WMC Miniature Sealed Stainless Steel Load Cell is the best in class:

- Capacities from 500 to 1000g
- Proprietary Interface temperature compensated strain gauges
- Tension and compression
- Environmentally sealed
- Overload protected to 8x capacity



STANDARD CONFIGURATION

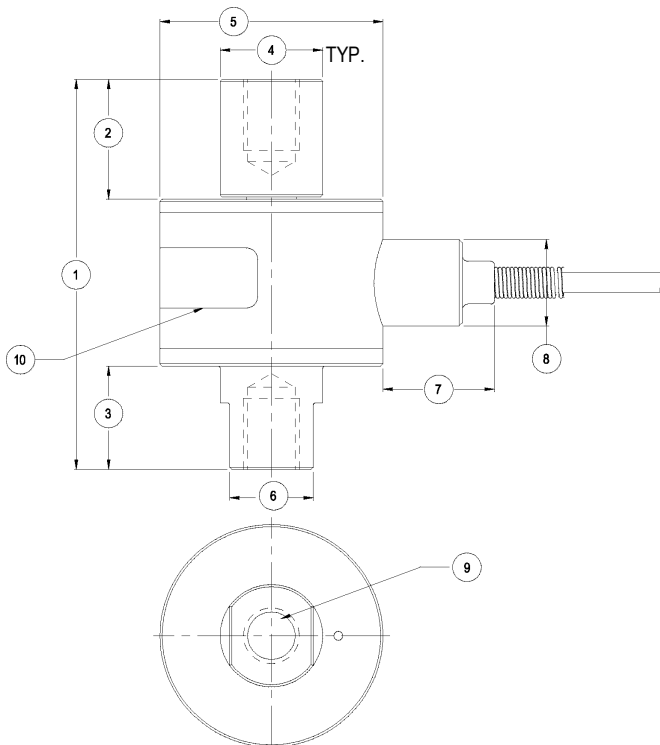
5 ft. Integral Cable

OPTIONS

Extra Cable Length

ACCESSORIES

Instrumentation



SPECIFICATIONS

ACCURACY – MAX

| | |
|-----------------------|-------|
| Nonlinearity-% FS | ±0.20 |
| Hysteresis-% FS | ±0.20 |
| Nonrepeatability-% RO | ±0.05 |
| Creep, in 20 min-% | ±0.05 |

TEMPERATURE

| | |
|-------------------------------|------------|
| Compensated Range-°F | 15 to 115 |
| Compensated Range-°C | -10 to 45 |
| Operating Range-°F | -65 to 250 |
| Operating Range-°C | -54 to 121 |
| Effect on Output-%/°F – MAX | ±0.002 |
| Effect on Zero- % RO/°F – MAX | ±0.005 |

ELECTRICAL

| | |
|---------------------------------|--------|
| Rated Output-mV/V (nominal) | 2.0 |
| Zero Balance-%RO | ±2.0 |
| Bridge Resistance-Ohm (nominal) | 350 |
| Excitation Voltage-MAX | 15 VDC |
| Insulation Resistance-Megohm | >5000 |

MECHANICAL

| | |
|------------------------|---------------------------------|
| Calibration | Tension |
| Safe Overload-% CAP | 800 |
| Cable Length-ft | 5 |
| Deflection @ RO - inch | 0.0005 (500g) 0.0010 (1000g) |
| Weight-lb | 0.2 |

DIMENSIONS

| See Drawing | CAPACITY | |
|-------------|--------------------------------|------|
| | 500g, 1000g | |
| | inch | mm |
| (1) | 1.75 | 44.5 |
| (2) | 0.52 | 13.2 |
| (3) | 0.52 | 13.2 |
| (4) | 0.46 | 11.7 |
| (5) | 1.00 | 25.4 |
| (6) | 0.38 | 9.5 |
| (7) | 0.50 | 12.7 |
| (8) | 0.39 | 9.9 |
| (9) | 0.250-28 UNF X 0.32 Deep | |
| (10) | Model, Capacity, Serial Number | |