

Model LWPF1 Press Force Load Cell

- Capacities from 2 kN to 100 kN
- Short height
- Large thru-hole
- For press-force monitoring



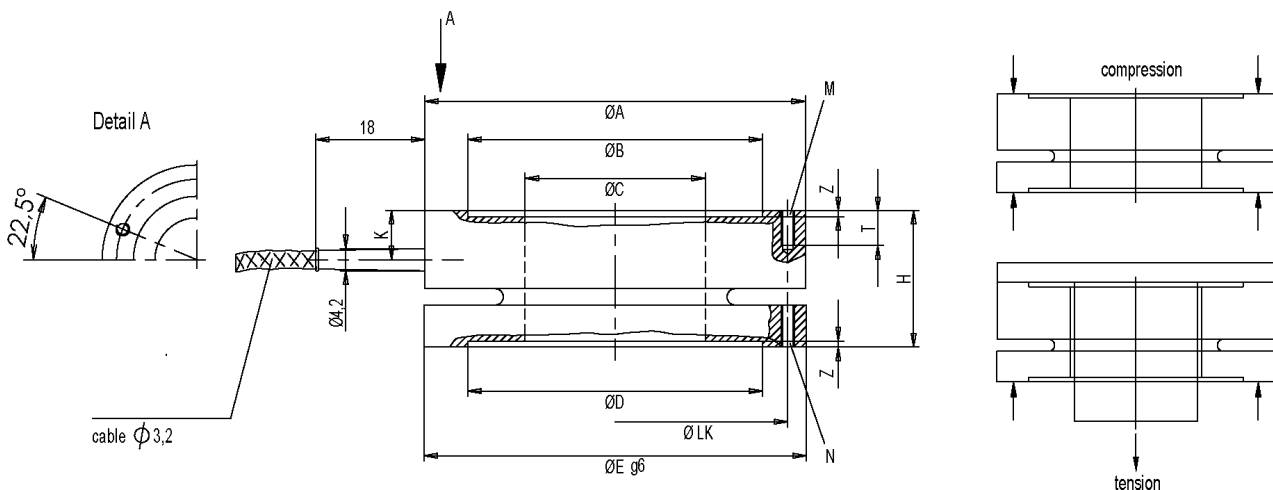
OPTIONS

Extended Temperature Range (-40°C to +150°C)
Internal Shunt Resistor – 100% output

SPECIFICATIONS

ACCURACY – (MAX ERROR)	
Nonlinearity - %FS	+/-0.5
Hysteresis - %FS	+/-0.5
Nonrepeatability - % RO	+/-0.1
Creep, in 30 min - %	+/-0.1
TEMPERATURE	
Effect on Zero - % RO/°C	+/-0.02
Effect on Output - %/°C	+/-0.02
Compensated Range - °C	0 to +60
Operating Range - °C	-10 to +70
ELECTRICAL	
Output – mV/V	1 +/-20%
Excitation Voltage – VDC	2-12
Bridge Resistance – Ohm	700
Electrical Connection	3-meter cable
MECHANICAL	
Safe Overload - % RO	150
Deflection at Rated Capacity - mm	<0.15
Cyclic Load Rating - % RO	+/-70 Peak
IP Rating	60

DIMENSIONS



Nominal Force [kN]	A	B	C	D	E	H	K	Z	M	T	LK	N
2 / 5 / 10 / 20	69.7	54	33	54	70	25	9	0.5	M5, 8 x 45°	6	62	M5, 8 x 45°
50 / 100	111.5	97	70	97	112	35	13	1.1	M6, 8 x 45°	10	104	M6, 8 x 45°

NOTE: Threaded mounting holes not intended for tension loading

LWPF1
04/19/13