

Model TS20 Hollow Flange Reaction Torque Transducer

- Capacities from 10 Nm to 200 Nm
- Very short axial length
- Thru-hole



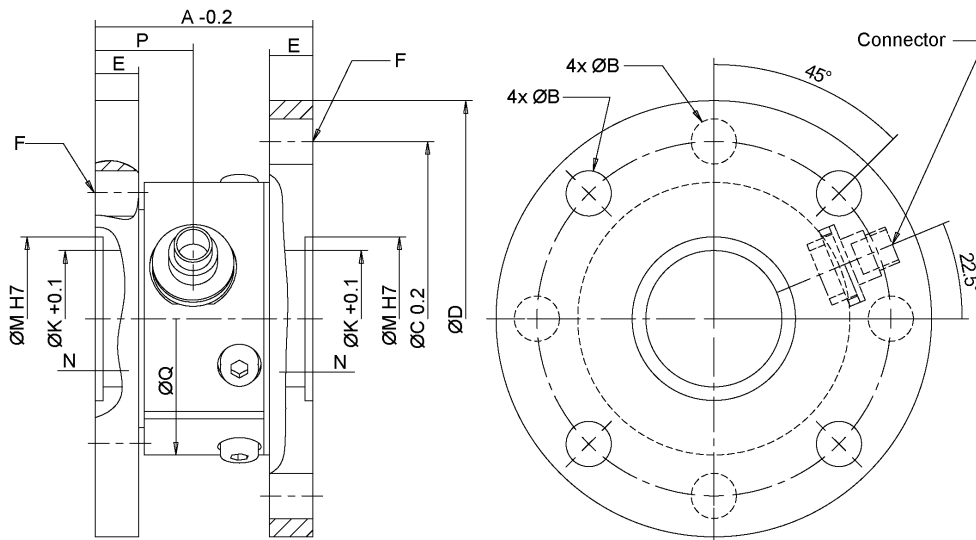
OPTIONS

Enhanced Accuracy – 0.05% nonlinearity & hysteresis
 Internal Shunt Resistor – 100% output

SPECIFICATIONS

ACCURACY – (MAX ERROR)	
Nonlinearity - %FS	+/-0.1
Hysteresis - %FS	+/-0.1
Nonrepeatability - % RO	+/-0.02
TEMPERATURE	
Effect on Zero - % RO/°C	+/-0.02
Effect on Output - %/°C	+/-0.01
Compensated Range - °C	-5 to +45
Operating Range - °C	-15 to +55
ELECTRICAL	
Output – mV/V	1 +/-0.1%
Excitation Voltage – VDC	2-12
Bridge Resistance – Ohm	350
Electrical Connection	7 pin Binder
MECHANICAL	
Safe Overload - % RO	150
Angular Deflection at Rated Torque -	<0.2
Cyclic Load Rating - % RO	+/-70 Peak
IP Rating	50

DIMENSIONS



Measuring range [N·m]	Dimensions [mm]										
	A	B	ØC	ØD	E	F	ØM	N	ØK	P	ØQ
10 / 20 / 30 / 50	40	6,3	65	80	8	4x90°	30	1,5	25	18	50
100 / 200	40	8,3	65	80	8	4x90°	30	1,5	25	18	50

TS20
04/25/13