

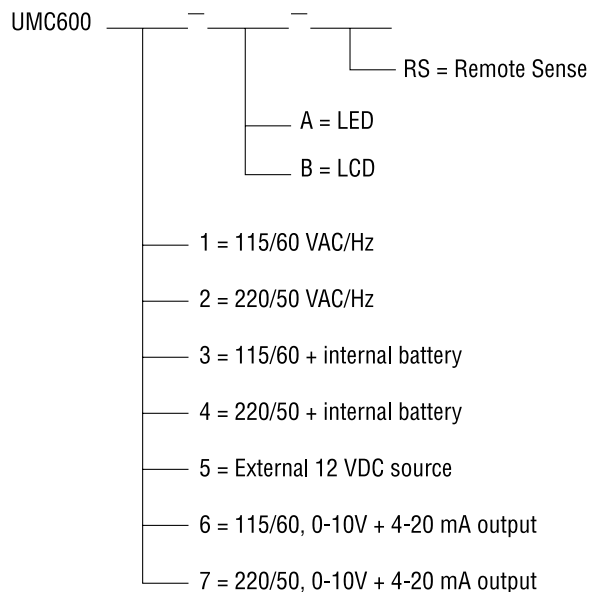


# Model UMC600 Weight Indicator/Controller

- Powers up to 8 load cells
- 80,000 display graduations
- Nonlinearity  $<\pm 0.01\%$
- Nema 4 stainless steel enclosure
- Serial output (RS232)
- Adjustable digital filter
- Dual setpoint outputs
- Tilt stand base
- “Zero,” “Tare,” “Net/Gross,” “lb/kg Conv.,” and “Print” keys
- 10 updates/second with adjustable digital averaging
- Active 5 Hz analog filter
- 5-point linearization
- Batching and weighing functions



## OPTIONS



## SPECIFICATIONS

### ELECTRICAL

Excitation Voltage (Nominal) .....10 VDC  
 Current .....240 mA

### PERFORMANCE

Maximum Display Counts .....80,000  
 Maximum Error .....0.01% of reading  $\pm 1$  count  
 Signal Input Range .....9 to 44 mV FS  
 Sensitivity .....0.3  $\mu$ V/count  
 Conversion Rate .....10 per second  
 Integration Time .....20 msec typical  
 Display Increments .....1, 2, 5, 10, 20, 50, 100

### ENVIRONMENTAL

Operating Temperature .....14 to 104°F  
 -10 to 40°C

### POWER

AC .....115/60 or 230/50 VAC/Hz  
 (Internal rechargeable battery or 12 VDC optional)

### MECHANICAL

Panel Cutout .....9.12 X 6.62" (232x168 mm)  
**DIMENSIONS** .....L 9.12" x H 6.62" x W 4.18"  
 Weight .....9.4 lb (4300g)  
 Display .....6 digit, LED or LCD, .6" high

## ACCESSORIES

Panel mount kit  
 CN-208 mating connector (included)